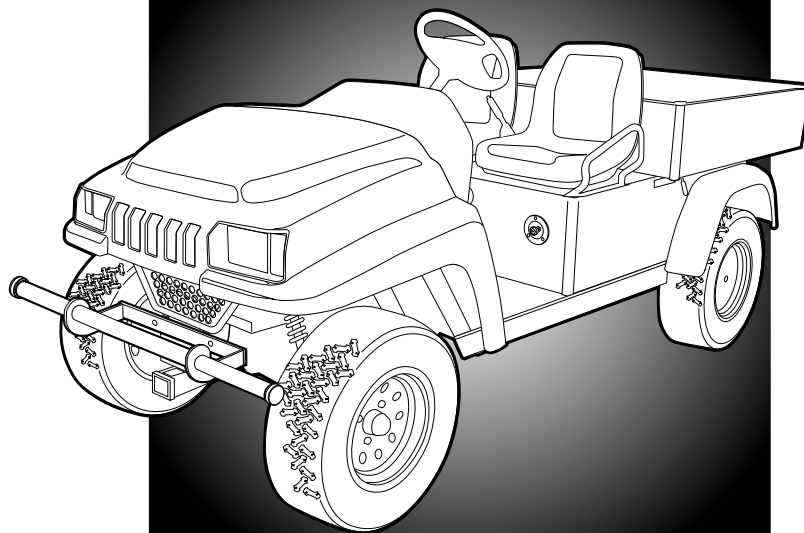


# Club Car

®

## 2003 ILLUSTRATED PARTS LIST



**TURF 272, CARRYALL 272,  
AND CARRYALL 472  
GASOLINE VEHICLES**

MANUAL NUMBER 102318703  
EDITION CODE 0103B0904A



# USING THE ILLUSTRATED PARTS LIST

---

## WARNING

- **This manual is to be used only for identification and ordering of service parts. Be sure to read and use the maintenance and service manual before attempting any vehicle repairs.**

This manual covers all 2003 Turf 272, Carryall 272™, and Carryall 472 vehicles.

The manual is divided into 13 sections. Sections 1 through 12 pertain to the 272 and 472 vehicles, and Section 13 pertains to tools that are used on all Club Car products. Note that there are two flags on the outside edge of each page. The first flag contains the section number of which that page is a part. The other flag contains the letter G, signifying that the page pertains to the gasoline vehicle only.

Use the Table of Contents to find the sections and pages that contain the parts and assemblies you seek. The Table of Contents lists section numbers, and under them, the individual page titles and numbers to be found in that section. The index can be used to find specific parts and assemblies. The index is divided into numerical and alphabetical listings with the page numbers in italic text.

There is a two-page spread for each individual page title in the Table of Contents. On the left-hand page is an illustration showing the parts in their relative positions; the parts are each tagged with an item number in a balloon. The right-hand page is the parts list page, and gives the page title at the top, then the item numbers (corresponding to the numbers on the illustration), part descriptions, and quantity of parts used. Some item numbers have more than one part number because several configurations of a component are represented together on one spread.

There are some wiring diagrams in this manual that cover two pages. For these diagrams the parts list page will be on the next two-page spread.

Note that a part description may be indented. This indentation corresponds to a parts assembly level indicated by the numbers 1, 2, 3, and 4 at the top left corner of the parts description area of the parts list page. A part that is indented to *level 2* is a component of the *level 1* part (assembly) that it is listed under. A *level 3* part is a component of the *level 2* part that it is listed under, and a *level 4* part is a component of the *level 3* part preceding it. In each case, the part quantity given for a level 2, 3, or 4 part is *the quantity used per next higher level assembly of which it is a component*. A part that is not indented is a *level 1* part. This means that the quantity given is the quantity used per the portion of the vehicle illustrated on that particular spread.

## HOW TO ORDER PARTS

Replacement parts and accessories can be obtained from our network of authorized dealers and distributors. You can obtain the name and phone number of your closest Club Car contact by visiting our web site at [www.clubcar.com](http://www.clubcar.com) and clicking on the "*Distributor Search*" link or by calling our toll-free Service Parts and Technical Assistance hotline at (800) 872-2246 or (706) 863-3000, extension 3281 or 3854.



P. O. Box 204658  
Augusta, Georgia 30917-4658 USA  
Telephone 706-863-3000  
Service Parts Fax 706-855-7413  
[www.clubcar.com](http://www.clubcar.com)

**NOTE:** *This illustrated parts list represents the most current information at the time of publication. Club Car, Inc. is continually working to further improve its vehicles and other products. These improvements may affect the parts used to service the vehicle. Any modification and/or significant change in specifications will be forwarded to all Club Car and Carryall distributors/dealers and will, when applicable, appear in future editions of this illustrated parts list.*

*Club Car, Inc. reserves the right to change specifications and designs at any time without notice and without incurring the obligation of making changes to units previously sold.*

Copyright © 2003 Club Car, Inc.  
*Club Car* and *Carryall*  
are registered trademarks of Club Car, Inc.  
This manual effective July 22, 2002.

*2003 Turf/Carryall 272 and Carryall 472 Gasoline Vehicles Illustrated Parts List*



# CONTENTS

---

## SECTION 1 – BODY AND TRIM

---

Front Body Trim .....	1-3
Front Seats .....	1-5
Rear Seat and Support Structure – Carryall 472 Vehicles .....	1-7
Latch Plate and Prop Rod – Turf 272 and Carryall 272 Vehicles .....	1-9
Tilt Bed, Hinge and Latch – Turf 272 and Carryall 272 Vehicles .....	1-11
Cargo Box – Turf 272 and Carryall 272 Vehicles .....	1-13
Tilt Bed, Hinge and Latch – Carryall 472 Vehicles .....	1-15
Cargo Box – Carryall 472 Vehicles .....	1-17
Rear Body Trim – Carryall 272 Vehicles .....	1-19
Rear Body Trim – Carryall 472 Vehicles .....	1-21

---

## SECTION 2 – WHEELS AND TIRES

---

Wheels and Tires .....	2-3
------------------------	-----

---

## SECTION 3 – DECALS

---

Decals – Turf 272 Vehicles .....	3-3
Decals – Carryall 272 Vehicles .....	3-5
Decals, Continued – Turf 272 and Carryall 272 Vehicles .....	3-7
Decals, Continued – Carryall 472 Vehicles .....	3-9
Decals, Continued – Carryall 472 Vehicles .....	3-11

---

## SECTION 4 – BRAKE SYSTEMS

---

Front Brake Assembly .....	4-3
Rear Brake Assembly .....	4-5
Master Cylinder .....	4-7
Hydraulic Brake System – Turf 272 and Carryall 272 Vehicles .....	4-9
Hydraulic Brake System – Carryall 472 Vehicles .....	4-11
Hand Park Brake Assembly .....	4-13

---

## SECTION 5 – PEDAL GROUP

---

Brake Pedal Assembly .....	5-3
Accelerator Pedal Assembly .....	5-5

---

## SECTION 6 – STEERING, FRONT AND REAR SUSPENSION

---

Steering Column .....	6-3
Steering Gear Assembly .....	6-5
Front Suspension .....	6-7

# CONTENTS

---

Rear Suspension .....	6-9
-----------------------	-----

## SECTION 7 – ELECTRICAL SYSTEM

---

Wiring – Turf 272, Pedal-Start Vehicle .....	7-5
Wiring – Carryall 272, Key-Start Vehicle .....	7-9
Wiring – Carryall 472, Key-Start Vehicle .....	7-13
Forward/Reverse Shifter Assembly .....	7-15
Electrical Component Box, Pedal-Start Vehicles .....	7-17
Electrical Component Box, Key-Start Vehicles .....	7-19
Electrical Components, Front Body .....	7-21
Electrical Components, Dash Panel .....	7-23
Starter/Generator Assembly .....	7-25
Starter/Generator Mounting .....	7-27
Battery .....	7-29

## SECTION 8 – ENGINE

---

FE350 Engine (Pedal-Start) – Shrouds and Brackets .....	8-3
FE350 Engine (Pedal-Start) – Ignition Components and Flywheel .....	8-5
FE350 Engine (Pedal-Start) – Oil Circulation .....	8-7
FE350 Engine (Pedal-Start) – Cylinder Head .....	8-9
FE350 Engine (Pedal-Start) – Crankcase, Camshaft and Oil Sensor .....	8-11
FE350 Engine (Pedal-Start) – Crankcase and Crankshaft .....	8-13
FE400 Engine (Key-Start) – Shrouds and Brackets .....	8-15
FE400 Engine (Key-Start) – Ignition Components and Flywheel .....	8-17
FE400 Engine (Key-Start) – Oil Circulation .....	8-19
FE400 Engine (Key-Start) – Cylinder Head .....	8-21
FE400 Engine (Key-Start) – Crankcase, Camshaft and Oil Sensor .....	8-23
FE400 Engine (Key-Start) – Crankcase and Crankshaft .....	8-25
Engine Mounting .....	8-27

## SECTION 9 – FUEL, INTAKE, AND GOVERNOR SYSTEMS

---

Fuel System – Turf 272 and Carryall 272 Vehicles .....	9-3
Fuel System – Carryall 472 Vehicles .....	9-5
Carburetor Assembly, FE350 engine .....	9-7
Carburetor Assembly, FE400 engine .....	9-9
Carburetor Installation .....	9-11
Governor and Accelerator Cables .....	9-13
Intake Duct, Choke, and Air Box Assembly – Turf 272 and Carryall 272 Vehicles .....	9-15
Intake Duct, Choke, and Air Box Assembly – Carryall 472 Vehicles .....	9-17

# CONTENTS

---

## SECTION 10 – EXHAUST SYSTEM

---

Exhaust System, FE350 engine .....	10-3
Exhaust System, FE400 engine .....	10-5

## SECTION 11 – TORQUE CONVERTER

---

Drive Clutch .....	11-3
Driven Clutch .....	11-5

## SECTION 12 – UNITIZED TRANSAXLE

---

Unitized Transaxle, MC012C – Gear Cases, Brackets and Guard .....	12-3
Unitized Transaxle, MC012C – F&R Transmission and Gear Reduction .....	12-5
Unitized Transaxle, MC012C – Differential Lock and Axles .....	12-7
Unitized Transaxle – Differential Lock Cable Assembly and Shifter .....	12-9

## SECTION 13 – MAINTENANCE AND SERVICE TOOLS

---

Maintenance and Service Tools .....	13-3
Maintenance and Service Tools, Continued .....	13-5
Maintenance and Service Tools, Continued .....	13-7

## SECTION i – INDEX

---



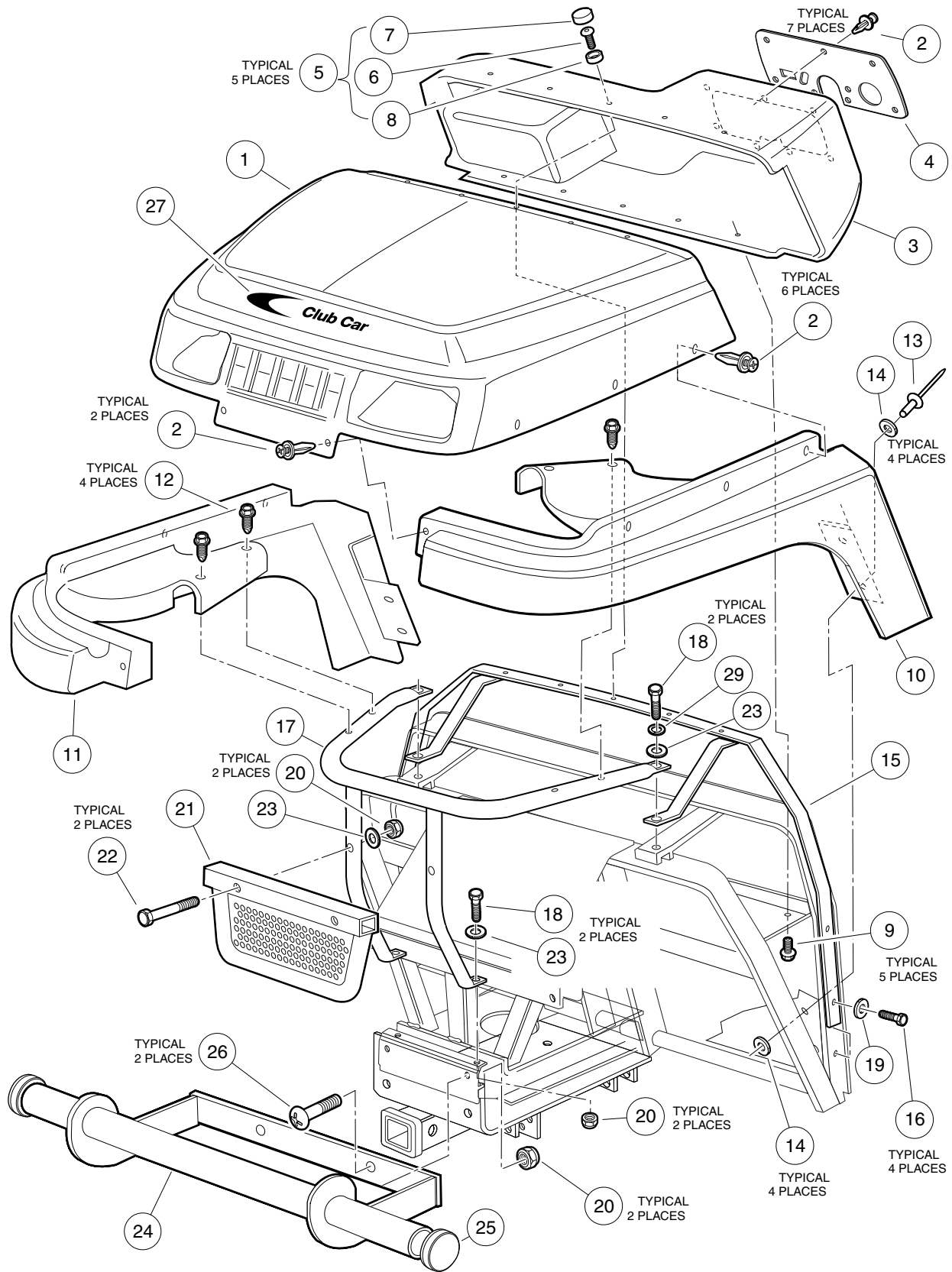
# BODY AND TRIM

---

**1**

**G**

**1**  
**G**

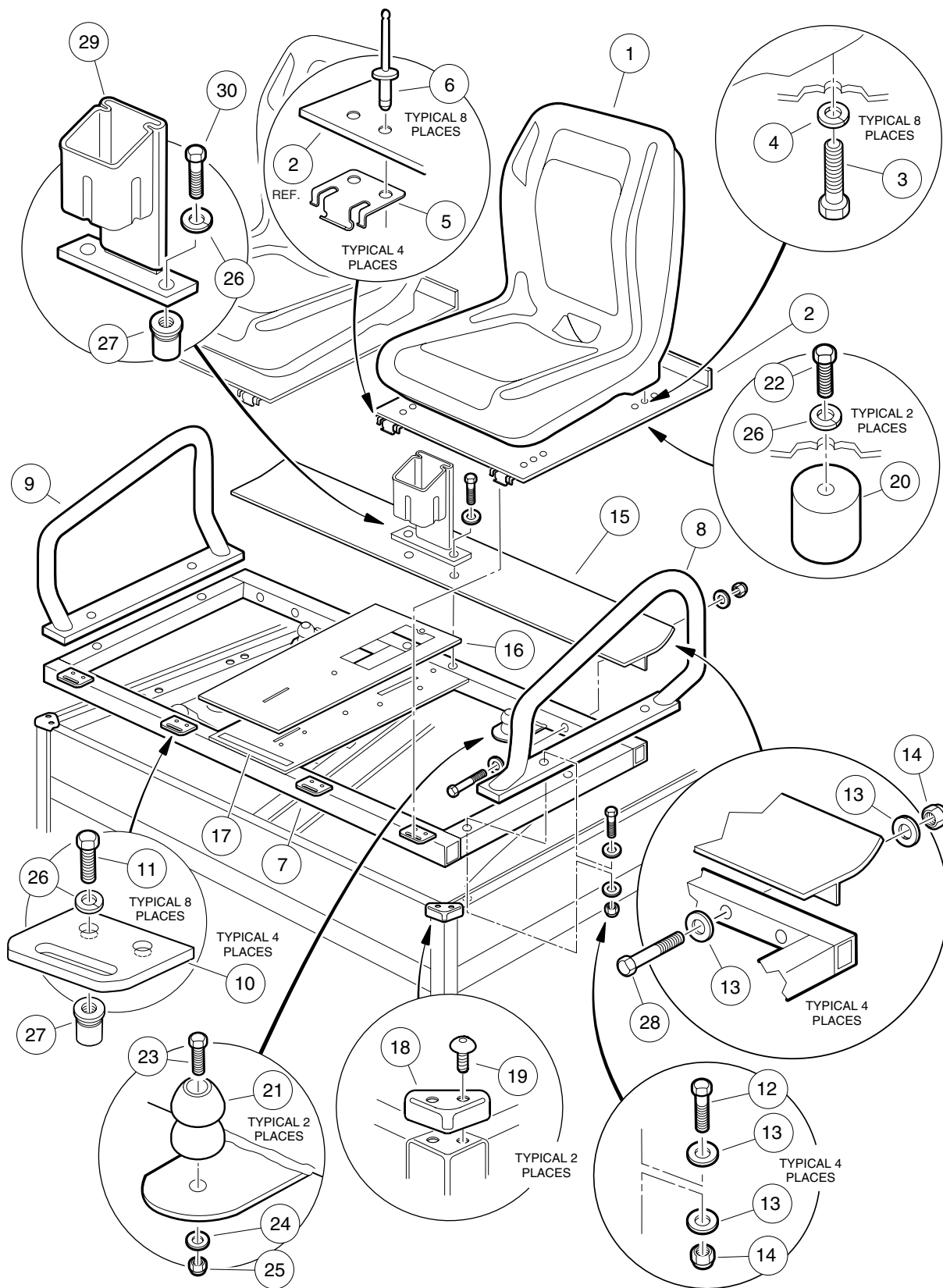


# FRONT BODY TRIM

ITEM	PART NO.	DESCRIPTION	QTY
		1 2 3 4	
1	102021710	Body, Front with Headlight Opening (dark green) (Turf 272 only) .....	1
1	102021714	Body, Front with Headlight Opening (dark gray) (Carryall 272 and Carryall 472 only) .....	1
2	102025701	Screw, Tuflok .....	15
3	102021801	Dashboard .....	1
4	102030501	Panel, Dash .....	1
5	102056901	Kit, Dash Hardware (includes items 6 - 8) .....	1
6	102025801	Screw, Truss-Head, Type C, 1/4-20 x 3/4 .....	5
7	102045001	Cap .....	5
8	102048401	Washer .....	5
9	1017384	Screw, Hex Washer-Head, Type AB, #12 .....	5
10	102021501	Fender, Front, Driver-Side .....	1
11	102021601	Fender, Front, Passenger-Side .....	1
12	1010545	Screw, Hex Washer-Head, Type AB, 1/4-14 x 3/4 .....	4
13	1606	Rivet, Blind, 3/16 x 1/2 .....	4
14	183	Washer, Flat, Type A, #10 .....	8
15	102015701	Support, Upper Front Body .....	1
16	1012285	Screw, Hex-Head Thread-Rolling, 1/4-20 x 5/8 .....	4
17	102015801	Support, Lower Fender .....	1
18	102078101	Screw, Hex-Head Cap, 5/16-18 x 2-1/2 .....	4
19	332	Washer, Flat, Type A, 1/4 .....	4
20	7473	Nut, Nylon Lock, 5/16-18 .....	6
21	102013901	Grill .....	1
22	1010921	Screw, Hex-Head Cap, 5/16-18 x 2-1/2 .....	2
23	1241	Washer, Flat, Type A, 5/16 .....	6
24	102055801	Bumper, Tube .....	1
25	102058401	Cap, Tuber Bumper .....	2
26	7410	Screw, Phillips Truss-Head, 5/16-18 x 1-1/4 .....	4
27	102046501	Decal, Club Car Nameplate (Turf 272 only) .....	1
27	102228001	Decal, Club Car Nameplate (Carryall 272 and Carryall 472 only) .....	1
28	102160101	Mat, Floor (not shown) .....	1
29	7174	Washer, Lock, 5/16 .....	2

**1**  
**G**

**1**  
**G**





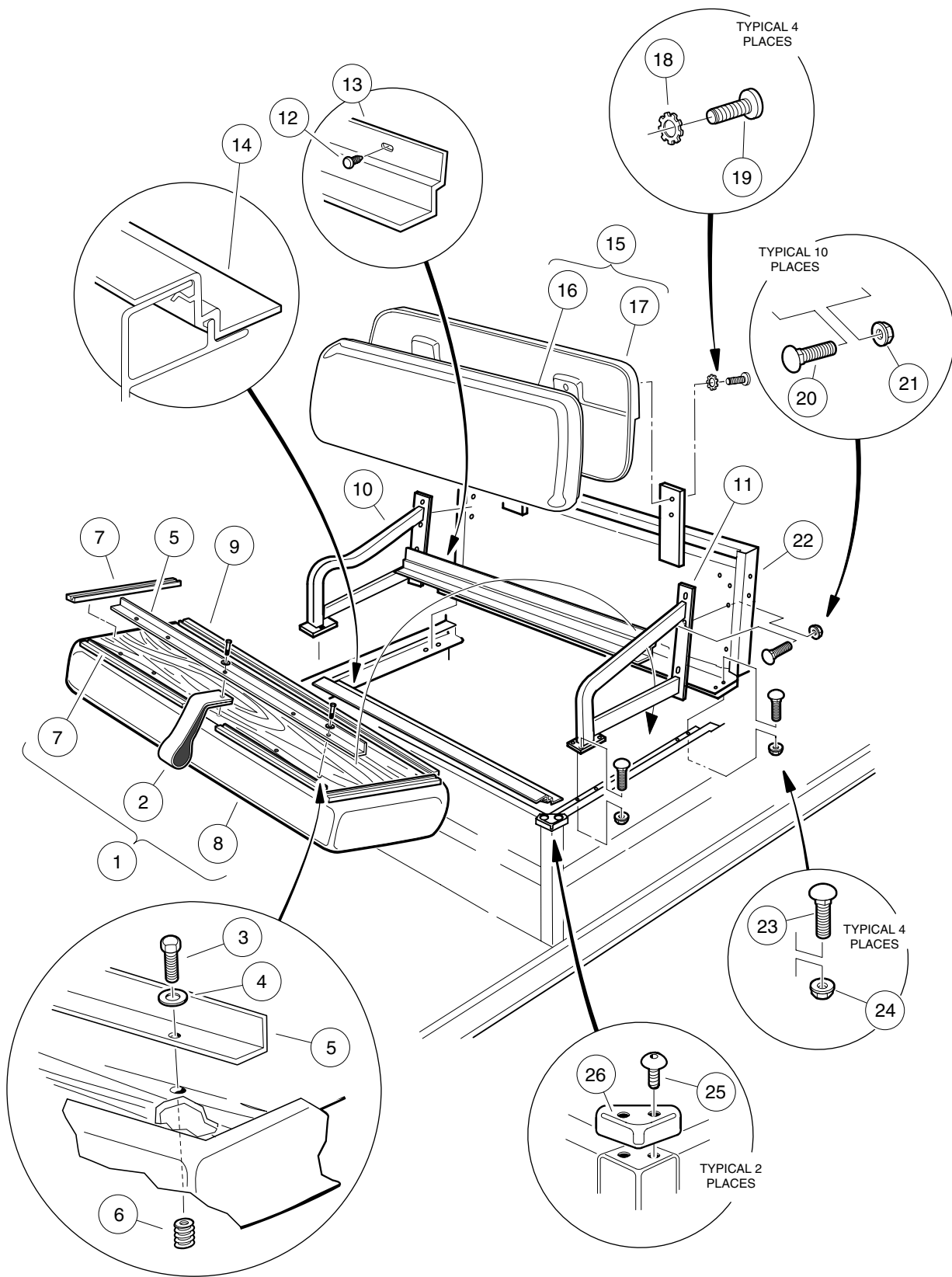
# FRONT SEATS

ITEM	PART NO.	DESCRIPTION	QTY
		1 2 3 4	
1	102026501	Seat, Bucket – Gray .....	2
2	102023701	Panel, Seat .....	2
3	1012830	Screw, Hex-Head, M8 x 1.25 x 22 mm .....	8
4	1013734	Washer, Lock, 8 mm .....	8
5	1011652	Plate, Hinge .....	4
6	102047001	Rivet, Pop, Stainless Steel, 1/4 x 1/2 .....	8
7	102026901	Weldment, Seat Support .....	1
8	102024901	Armrest, Driver-Side .....	1
9	102025001	Armrest, Passenger-Side .....	1
10	1012412	Plate, Hinge, Body .....	4
11	7847	Screw, Hex-Head Cap, 1/4-20 x 3/4 .....	8
12	8935	Screw, Hex-Head Cap, 5/16-18 x 2-1/4 .....	4
13	1011697	Washer, Flat, 5/16 .....	16
14	7473	Nut, Nylon Lock, 5/16-18 .....	8
15	102029501	Seal, Bed (Turf 272 and Carryall 272 only) .....	1
16	102026401	Cover, Console .....	1
17	N/A	Tape, VHB .....	A/R
18	1014387	Cap, Corner .....	2
19	1014321	Screw, Torx Truss-Head, 1/4-14 x 3/4 .....	4
20	102061101	Cup, Seat Holder .....	2
21	102059001	Base, Seat Holder .....	2
22	102059401	Screw, Hex-Head Cap, M6 x 1 x 10 mm .....	2
23	102059501	Screw, Hex-Head Cap, M6 x 1 x 35 mm .....	2
24	332	Washer, Flat, Type A, 1/4 .....	2
25	101887601	Nut, Nylon Lock, M6 .....	2
26	451	Washer, Lock, 1/4 .....	12
27	102060201	Insert, Threaded, 1/4-20 .....	10
28	7311	Screw, Hex-Head Cap, 5/16-18 x 2 (Turf 272 and Carryall 272 only) .....	4
29	102068501	Holder, Radio/Beverage .....	1
30	7847	Screw, Hex-Head Cap, 1/4-20 x 3/4 .....	2

1

G

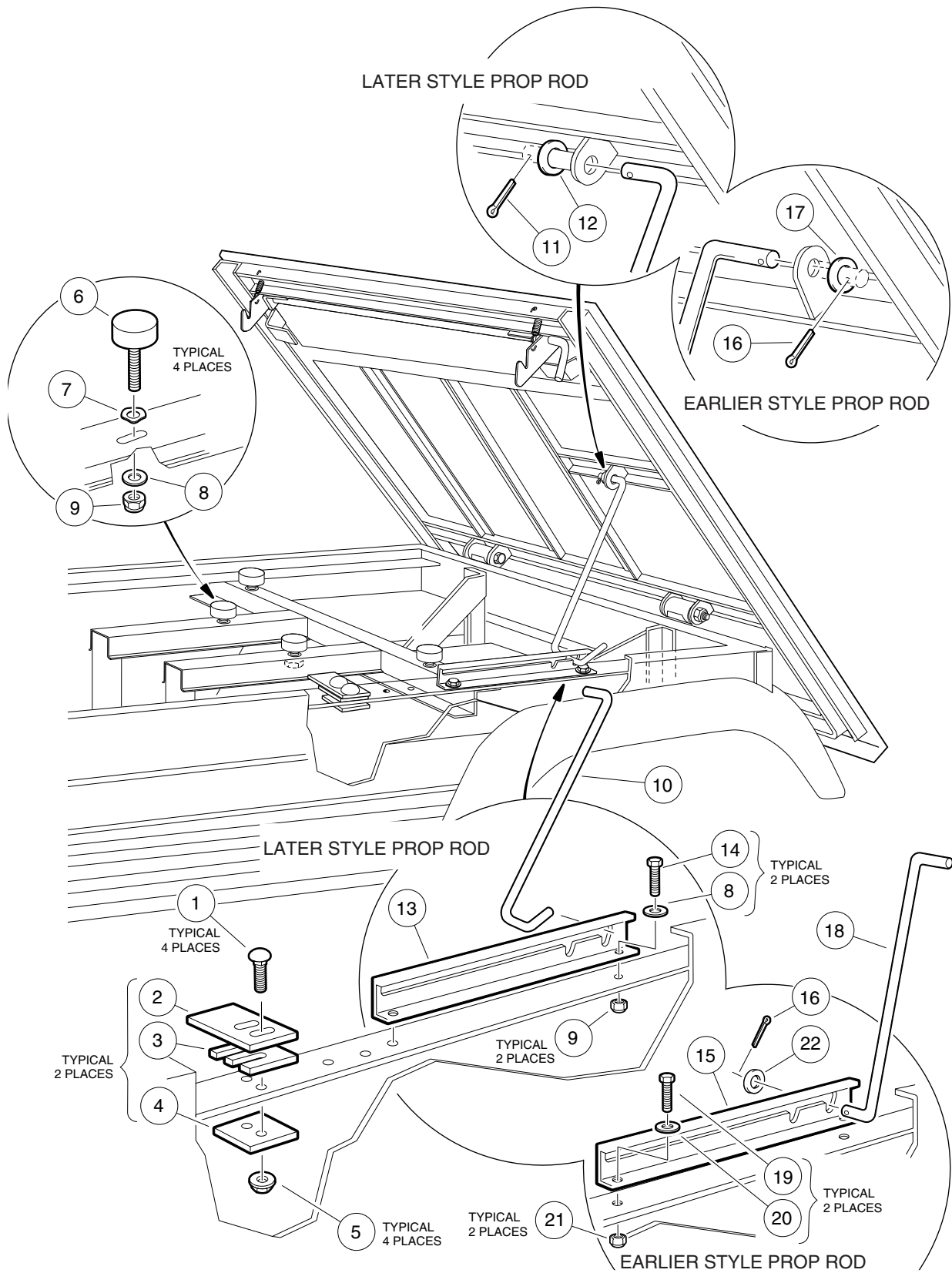
**1**  
**G**



# REAR SEAT AND SUPPORT STRUCTURE – CARRYALL 472 VEHICLES

ITEM	PART NO.	DESCRIPTION	QTY
		1 2 3 4	
1	101564505	Assembly, Seat Bottom (gray) (includes items 2 - 9) .....	1
2	1013309	Strap, Seat Bottom .....	1
3	101954301	Screw, Hex-Head Cap with Adhesive Patch, 1/4-20 x 3/4 .....	5
4	332	Washer, Flat, 1/4 .....	5
5	101894303	Stiffener, Seat .....	1
6	1010543	Insert, Wood .....	5
7	1013311	Bumper, Seat, Short .....	4
8	101562710	Cover, Vinyl Seat Bottom (gray) .....	1
9	1013312	Bumper, Seat, Long .....	1
10	101888501	Assembly, Armrest, Passenger .....	1
11	101888502	Assembly, Armrest, Driver .....	1
12	1010434	Barrel, Plastic.....	5
13	101963901	Trim, Seat Bottom, Rear .....	1
14	101964001	Trim, Seat Bottom, Front .....	1
15	101677705	Assembly, Seat Back (gray) (includes items 16 and 17) .....	1
16	101675506	Cover, Vinyl Seat Back (gray) .....	1
17	1016751	Cap, Seat Back (black) .....	1
18	101946201	Washer, External Tooth Lock, 1/4 .....	4
19	8251	Screw, Phillips Truss-Head, 1/4-20 x 1 .....	4
20	101958601	Bolt, Carriage, 1/4-20 x 3/4 .....	10
21	101835601	Nut, Flange, 1/4-20 .....	10
22	1016723	Panel, Seat Support .....	1
23	101963301	Bolt, Carriage, 5/16-18 x 3/4 .....	4
24	101963401	Nut, Flange, 5/16-18 .....	4
25	1014321	Screw, Torx Truss-Head, 1/4-14 x 3/4 .....	4
26	1014387	Cap, Corner .....	2

**1**  
**G**

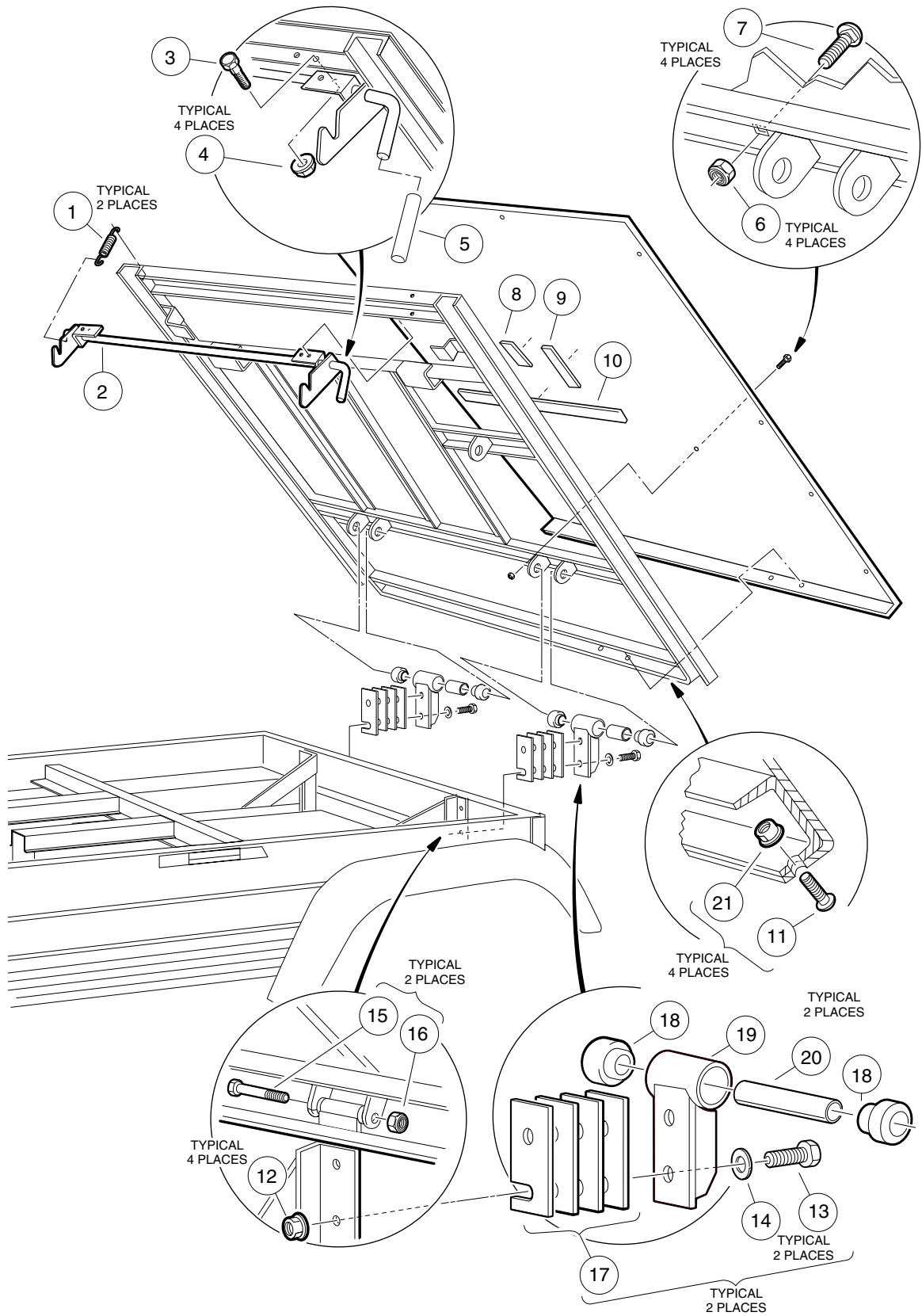


# LATCH PLATE AND PROP ROD – TURF 272 AND CARRYALL 272 VEHICLES

ITEM	PART NO.	DESCRIPTION	QTY
		1 2 3 4	
1	101958602	Bolt, Carriage, 1/4-20 x 1 .....	4
2	1015277	Plate, Tilt Bed Latch .....	2
3	1016078	Shim, Latch Plate .....	A/R
4	1016060	Support, Latch Plate .....	2
5	101835601	Nut, Flanged, 1/4-20 .....	4
6	1010878	Bumper, Rubber .....	4
7	1016201	Washer, Wave .....	4
8	332	Washer, Flat, Type A, 1/4 .....	4
9	8233	Nut, Nylon Lock, 1/4-20 .....	4
10	102301401	Rod, Prop (mid-model year 2003) .....	1
11	1035	Pin, Cotter, 3/32 x 1 .....	2
12	334	Washer, Flat, 3/8 .....	1
13	101921601	Track, Prop Rod .....	1
14	7847	Screw, Hex-Head Cap, 1/4-20 x 3/4 .....	2
		Earlier style prop rod (early 2003 models):	
	101922801	Kit, Prop Rod (includes items 15 - 22) .....	1
15	N/A	Track, Prop Rod .....	1
16	1035	Pin, Cotter, 3/32 x 1 .....	2
17	334	Washer, Flat, 3/8 .....	1
18	N/A	Rod, Prop .....	1
19	7847	Screw, Hex-Head Cap, 1/4-20 x 3/4 .....	2
20	332	Washer, Flat, 1/4 .....	2
21	8233	Nut, Nylon Lock, 1/4-20 .....	2
22	1017328	Washer, Convex, 3/8 .....	1

**1**  
**G**

**1**  
**G**

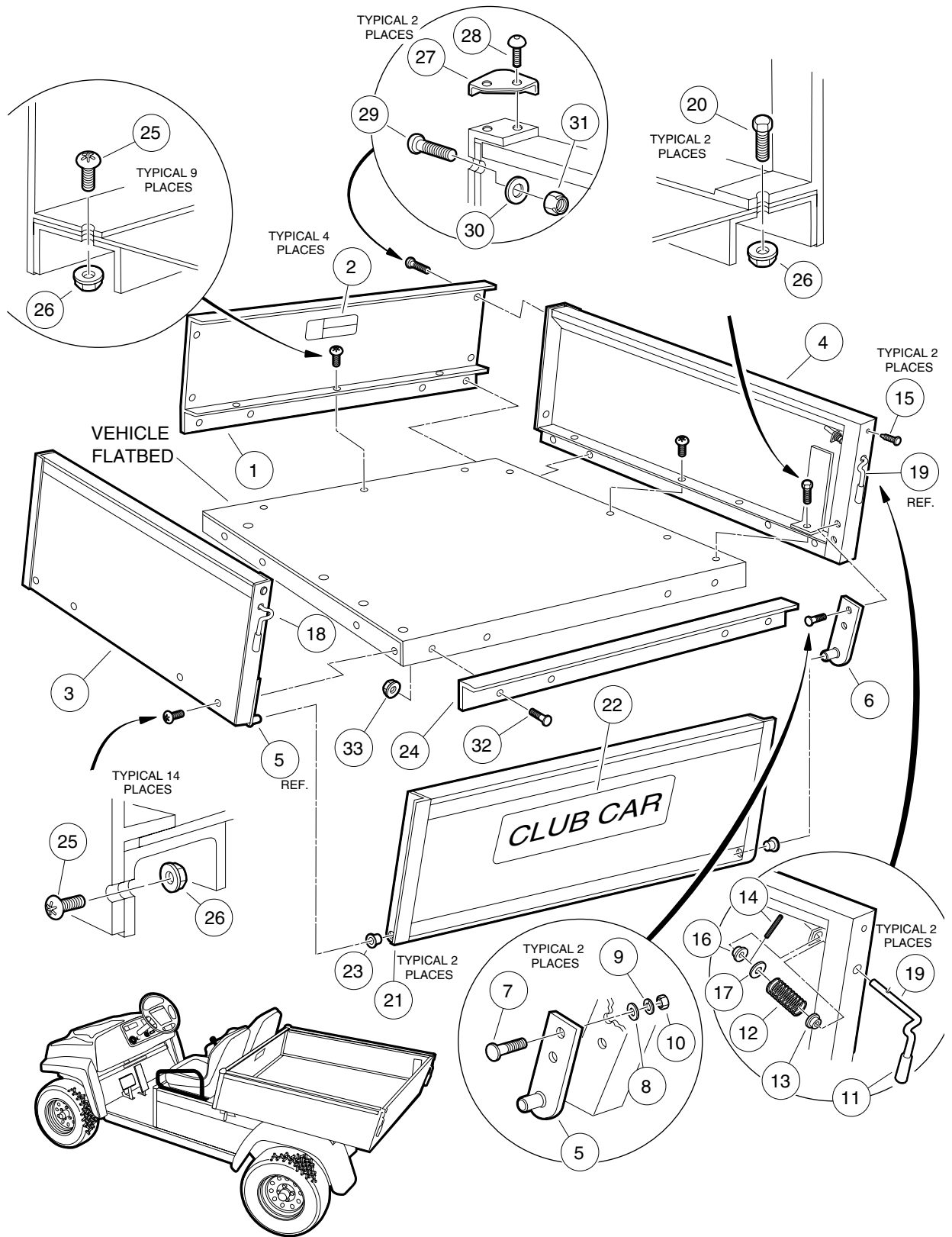


# TILT BED, HINGE AND LATCH – TURF 272 AND CARRYALL 272 VEHICLES

ITEM	PART NO.	DESCRIPTION	QTY
		1 2 3 4	
	101542901	Assembly, Tilt Bed, Manual Lift (includes items 1 - 11) * .....	1
1	1015391	Spring, Latch Extension .....	2
2	1015252	Assembly, Latch Weld .....	1
3	403	Screw, Hex-Head Cap, 1/4-20 x 5/8 .....	4
4	101835601	Nut, Flanged Lock, 1/4-20 .....	4
5	1015400	Hand Grip, Tilt Latch .....	1
6	7473	Nut, Nylon Lock, 5/16-18 .....	4
7	1010435	Bolt, Carriage, 5/16-18 x 1 .....	4
8	1014471	Insulation, Bulk (4 inches long) .....	A/R
9	1014471	Insulation, Bulk (8 inches long) .....	A/R
10	1014471	Insulation, Bulk (46 inches long) .....	A/R
11	1015399	Screw, Torx Truss-Head, 5/16-18 x 5/8 .....	4
12	102065901	Nut, Dimpled Flanged Lock, 3/8-16 .....	4
13	705	Screw, Hex-Head Cap, 3/8-16 x 1-1/4 .....	4
14	102066001	Washer, Flat, Type B, 3/8 .....	4
15	8755	Screw, Hex-Head Cap, 3/8-16 x 3-3/8 .....	2
16	8754	Nut, Nylon Lock, 3/8-16 .....	2
17	1015507	Shim, Tilt Bed Pivot .....	A/R
18	1015583	Bushing, Urethane .....	4
19	1015356	Hinge, Tilt Bed .....	2
20	1012303	Bushing, Steel .....	2
21	101963401	Nut, Flanged Lock, 5/16-18.....	4
		For latch plate and prop rod components, see page 1-9.	
		*When ordering a new tilt bed for an early 2003 vehicle, order a new prop rod CCI P/N 102301401 to replace the old prop rod.	

**1**  
**G**

**1**  
**G**



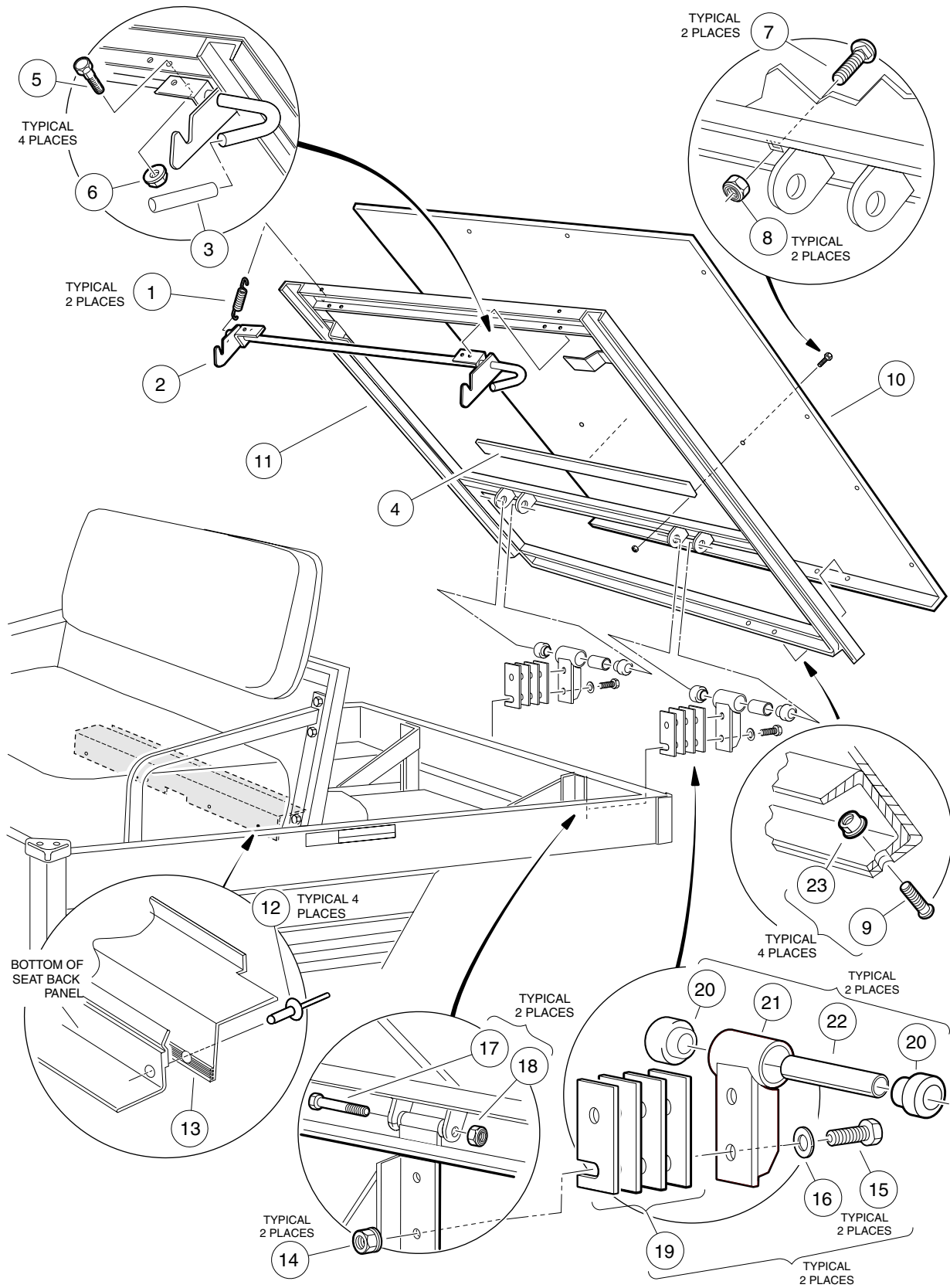


# CARGO BOX – TURF 272 AND CARRYALL 272 VEHICLES

ITEM	PART NO.	DESCRIPTION	QTY
		1 2 3 4	
1	102030001	Assembly, Front Panel (includes item 2) .....	1
2	101553901	Decal, Bed Load .....	1
3	102029801	Assembly, Side Panel, Driver-Side (includes items 5 and 7 - 18) .....	1
4	102029601	Assembly, Side Panel, Passenger-Side (includes items 6 - 17 and 19) .....	1
5	1014513	Bracket, Tailgate, Driver-Side .....	1
6	1014514	Bracket, Tailgate, Passenger-Side .....	1
7	1014537	Stud, Flush Head .....	4
8	1241	Washer, Flat, 5/16 .....	4
9	7174	Washer, Lock, 5/16 .....	4
10	1242	Nut, Hex, 5/16-18 .....	4
11	1015400	Grip, Hand .....	2
12	1015390	Spring, Compression .....	2
13	1032	Bushing, Nylon .....	2
14	1231	Roll Pin, 1/8 x 1 .....	2
15	1010434	Barrel, Plastic - Black .....	2
16	1015363	Bushing .....	2
17	1011990	Washer, Flat, 3/8 .....	2
18	1015313	Latch, Driver-Side .....	1
19	1015245	Latch, Passenger-Side .....	1
20	1010934	Screw, Hex-Head Cap, 5/16-18 x 1 .....	2
21	102030201	Assembly, Tailgate (includes item 22) .....	1
22	1013317	Decal, Club Car Tailgate (Turf 272) .....	1
22	102234901	Decal, Club Car Tailgate (Carryall 272) .....	1
23	7049	Bushing, Nylon .....	2
24	101894302	Angle, Tailgate .....	1
25	1015399	Screw, Torx Truss-Head, 5/16-18 x 3/4 .....	23
26	101963401	Nut, Flange Lock, 5/16-18 .....	25
27	1014387	Cap, Corner .....	2
28	1014321	Screw, Torx Truss-Head, #10-24 x 3/8 .....	4
29	1014415	Screw, Torx Truss-Head, 1/4-20 x 3/4 .....	4
30	332	Washer, Flat, Type A, 1/4 .....	4
31	8233	Nut, Nylon Lock, 1/4-20 .....	4
32	1014537	Stud, Flush Head .....	4
33	101963401	Nut, Flanged, 5/16-18 .....	4

**1**  
**G**

**1**  
**G**

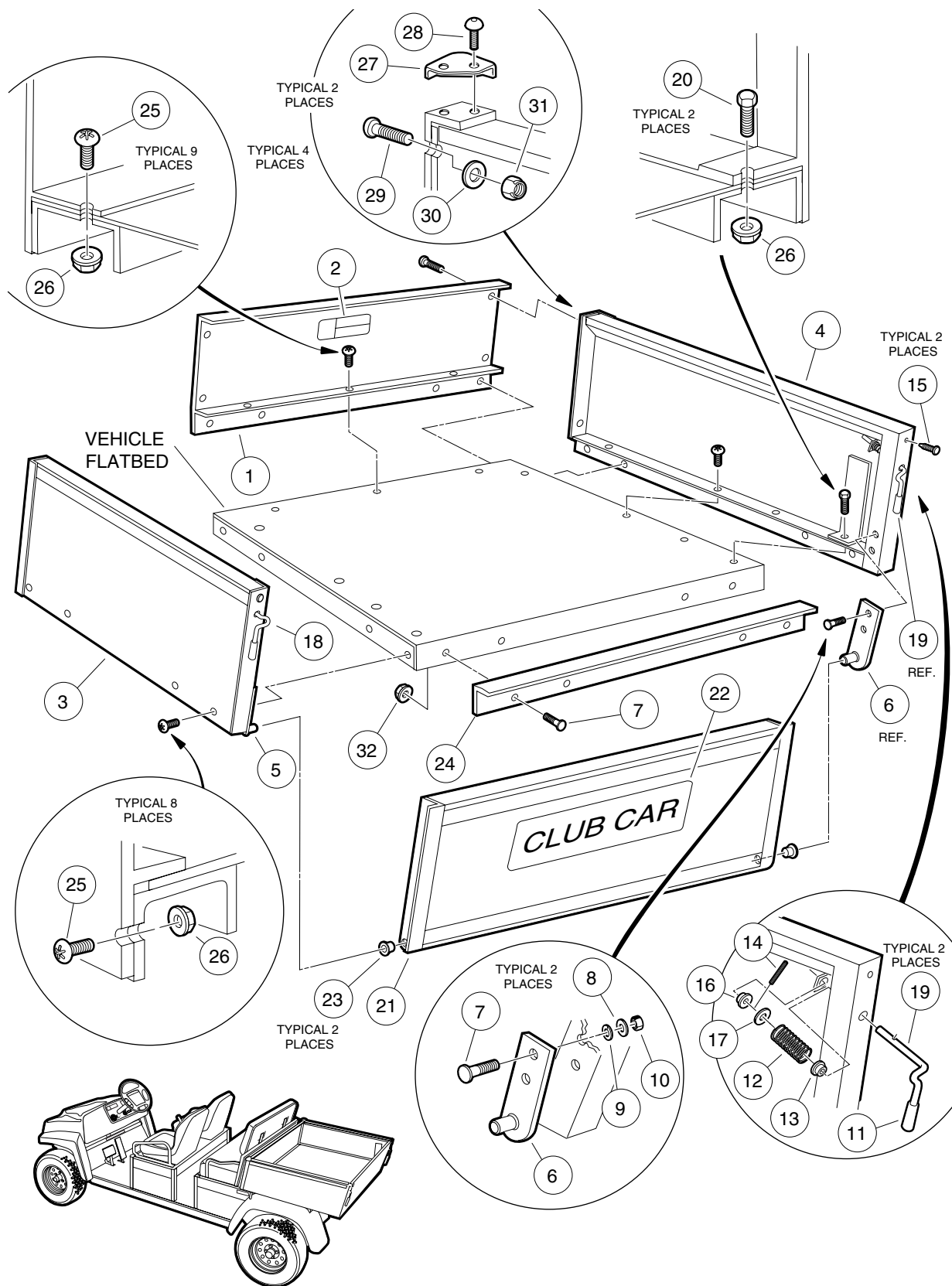


# TILT BED, HINGE AND LATCH – CARRYALL 472 VEHICLES

ITEM	PART NO.	DESCRIPTION	QTY
		1 2 3 4	
	****	Assembly, Tilt Bed And Latch, Carryall 472 (includes items 1 - 11).....	1
1	1015391	Spring, Latch Extension .....	2
2	102335001	Assembly, Latch Weld .....	1
3	1015400	Hand Grip, Tilt Latch .....	1
4	1014471	Insulation, Bulk, (42 inches long) .....	A/R
5	403	Screw, Hex-Head Cap, 1/4-20 x 5/8 .....	4
6	101835601	Nut, Flanged Lock, 1/4-20 .....	4
7	1010435	Bolt, Carriage, 5/16-18 x 1 .....	2
8	7473	Nut, Nylon Lock, 5/16-18 .....	2
9	1015399	Screw, Torx Truss-Head, 5/16-18 x 3/4 .....	4
10	N/A	Plate, Floor .....	1
11	N/A	Assembly, Frame Weldment, Tilt Bed .....	1
12	7532	Rivet, 5/16 .....	4
13	1017976	Seal, Bed .....	1
14	102065901	Nut, Dimpled Flange Lock, 3/8-16 .....	4
15	705	Screw, Hex-Head Cap, 3/8-16 x 1-1/4 .....	4
16	102066001	Washer, Flat, Type B, 3/8 .....	4
17	8755	Screw, Hex-Head Cap, 3/8-16 x 3-3/8 .....	2
18	8754	Nut, Nylon Lock, 3/8-16 .....	2
19	1015507	Shim, Tilt Bed Pivot .....	A/R
20	1015583	Bushing, Urethane .....	4
21	1015356	Assembly, Tilt Bed Hinge Weld .....	2
22	1012303	Bushing, Steel .....	2
23	101963401	Nut, Flanged Lock, 5/16-18.....	4
		For latch plate components, see page 1-9.	
	****	Special order item available upon request.	



**1**  
**G**

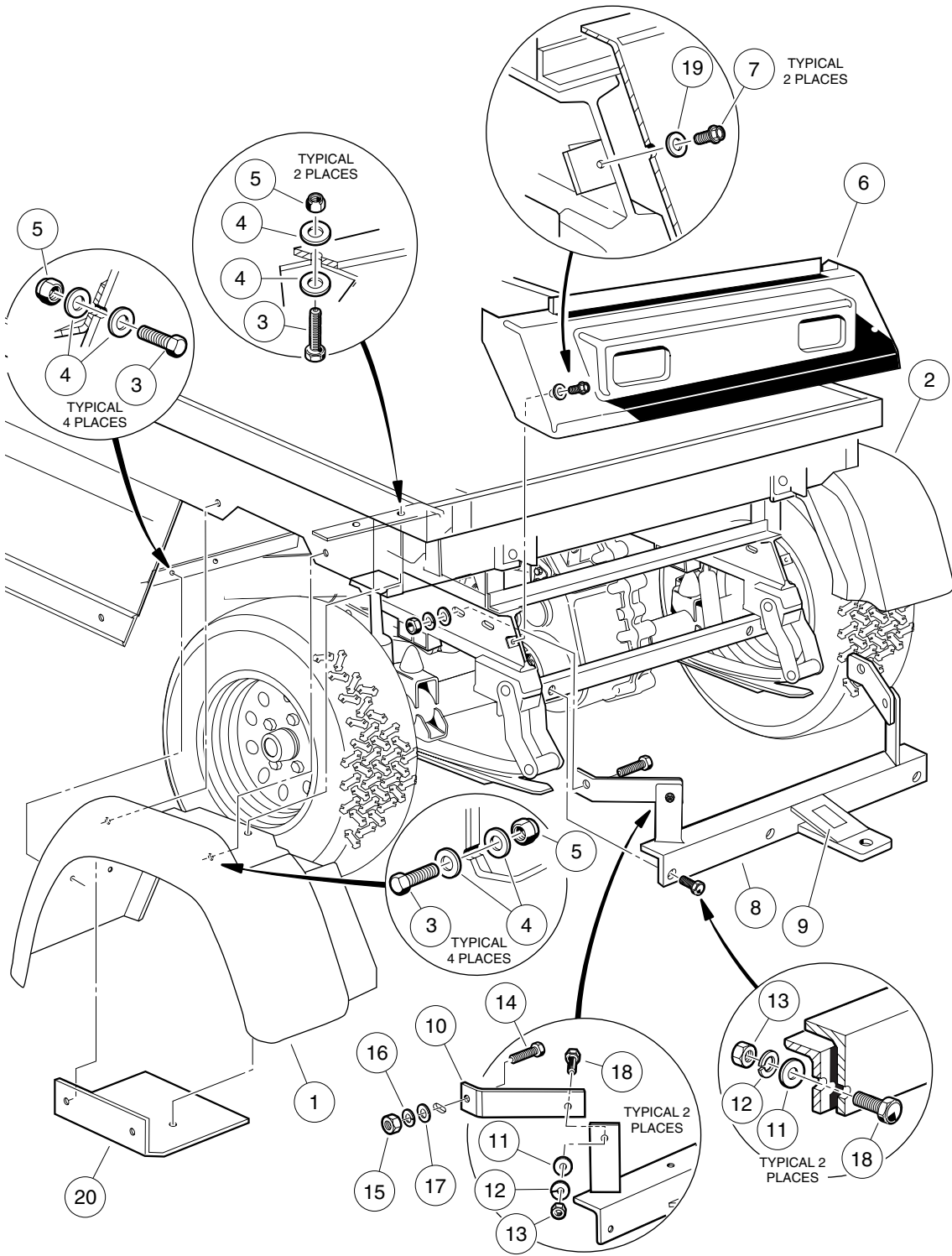


# CARGO BOX – CARRYALL 472 VEHICLES

ITEM	PART NO.	DESCRIPTION	QTY
		1 2 3 4	
	1015606	Kit, Cargo Box (includes items 1 - 32) .....	1
1	1015413	Front Panel Assembly (includes item 2) .....	1
2	101553901	Decal, Bed Load .....	1
3	1015367	Side, Panel Assembly, Driver-Side (includes items 5 and 7 - 18) .....	1
4	1015365	Side, Panel Assembly, Passenger-Side (includes items 6 - 17 and 19) .....	1
5	1014513	Bracket, Tailgate, Driver-Side .....	1
6	1014514	Bracket, Tailgate, Passenger-Side .....	1
7	1014537	Stud, Flush Head .....	8
8	1241	Washer, Flat, 5/16 .....	4
9	7174	Washer, Lock, 5/16 .....	4
10	1242	Nut, Hex, 5/16-18 .....	4
11	1015400	Grip, Hand .....	2
12	1015390	Spring, Compression .....	2
13	1032	Bushing, Nylon .....	2
14	1231	Roll Pin, 1/8 x 1 .....	2
15	1010434	Barrel, Plastic (black) .....	2
16	1015363	Bushing .....	2
17	1011990	Washer, Flat, 3/8 .....	2
18	1015313	Latch, Driver-Side .....	1
19	1015245	Latch, Passenger-Side .....	1
20	1010934	Screw, Hex-Head Cap, 5/16-18 x 1 .....	2
21	1015414	Tailgate Assembly (includes item 22) .....	1
22	1013317	Decal, Club Car Tailgate .....	2
23	7049	Bushing, Nylon .....	2
24	101894701	Kit, Tailgate Angle .....	1
25	1015399	Screw, Torx Truss-Head, 5/16-18 x 3/4 .....	17
26	101963401	Nut, Flanged Lock, 5/16-18 .....	19
27	1014387	Cap, Corner .....	2
28	1014321	Screw, Torx Truss-Head, #10-24 x 3/8 .....	4
29	1014415	Screw, Torx Truss-Head, 1/4-20 x 3/4 .....	4
30	332	Washer, Flat, 1/4 .....	4
31	8233	Nut, Nylon Lock, 1/4-20 .....	4
32	101963401	Nut, Flange Lock, 5/16-18 .....	4

**1**  
**G**

**1**  
**G**

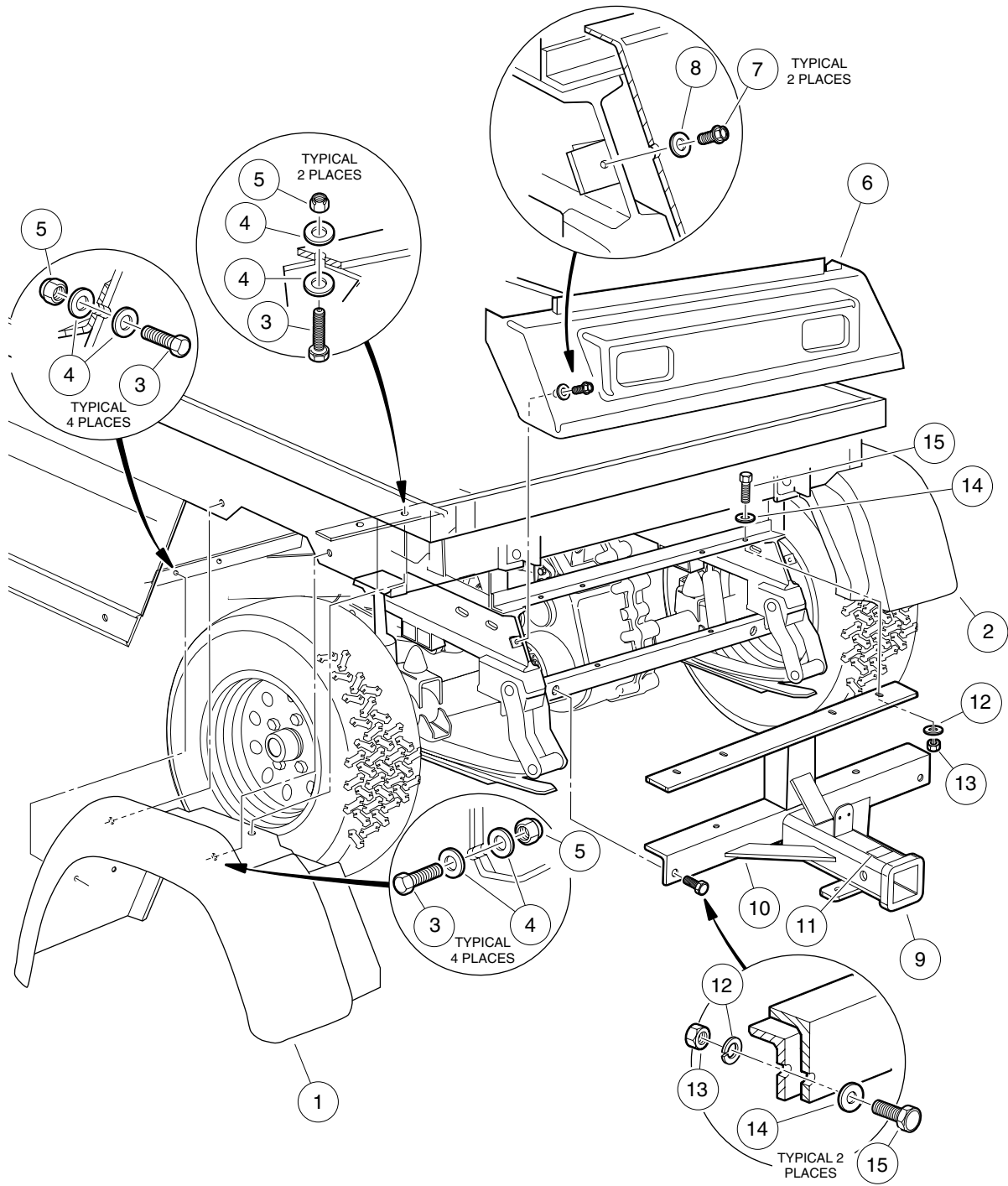


# REAR BODY TRIM – CARRYALL 272 VEHICLES

ITEM	PART NO.	DESCRIPTION	QTY
		1 2 3 4	
1	102021901	Fender, Rear, Driver-Side (MC010C) .....	1
1	102251701	Fender, Rear, Driver-Side (MC012C) .....	1
2	102022001	Fender, Rear, Passenger-Side (MC010C) .....	1
2	102251601	Fender, Rear, Passenger-Side (MC012C) .....	1
3	304	Screw, Hex-Head Cap, 1/4-20 x 1 .....	10
4	1014306	Washer, Flat, 1/4 .....	20
5	8233	Nut, Nylon Lock, 1/4-20 .....	10
6	1015530	Tailskirt .....	1
7	1012285	Screw, Thread-Rolling, 1/4-20 x 5/8 .....	2
8	1015445	Hitch, Trailer .....	1
9	1011553	Decal, Trailer Hitch .....	1
10	1013483	Brace, Trailer Hitch .....	2
11	1241	Washer, Flat, 5/16 .....	4
12	7174	Washer, Lock, 5/16 .....	4
13	1242	Nut, Hex, 5/16-18 .....	4
14	705	Screw, Hex-Head Cap, 3/8-16 x 1-1/4 .....	2
15	706	Nut, Hex, 3/8-16 .....	2
16	357	Washer, Lock, 3/8 .....	2
17	1011990	Washer, Flat, 3/8 .....	2
18	1010934	Screw, Hex-Head Cap, 5/16-18 x 1 .....	4
19	332	Washer, Flat, Type A, 1/4 .....	2
20	58645318	Guard, Fender (MC010C) .....	2

**1**  
**G**

**1**  
**G**





# REAR BODY TRIM – CARRYALL 472 VEHICLES

ITEM	PART NO.	DESCRIPTION	QTY
		1 2 3 4	
1	102251701	Fender, Rear, Driver-Side .....	1
2	102251601	Fender, Rear, Passenger-Side .....	1
3	304	Screw, Hex-Head Cap, 1/4-20 x 1 .....	10
4	1014306	Washer, Flat, 1/4 .....	20
5	8233	Nut, Nylon Lock, 1/4-20 .....	10
6	1015530	Tailskirt .....	1
7	1012285	Screw, Thread-Rolling, 1/4-20 x 5/8 .....	2
8	332	Washer, Flat, Type A, 1/4 .....	2
9	102065103	Kit, Rear Receiver (includes items 10 - 15) .....	1
10	102056001	Hitch, Receiver, 2-Inch .....	1
11	1011553	Decal, Trailer Hitch .....	1
12	7174	Washer, Lock, 5/16 .....	6
13	1242	Nut, Hex, 5/16-18 .....	6
14	1241	Washer, Flat, 5/16 .....	6
15	1010934	Screw, Hex-Head Cap, 5/16-18 x 1 .....	6

**1**  
**G**

**1**

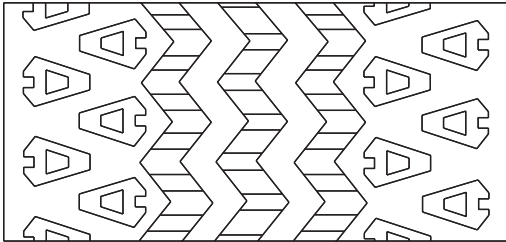
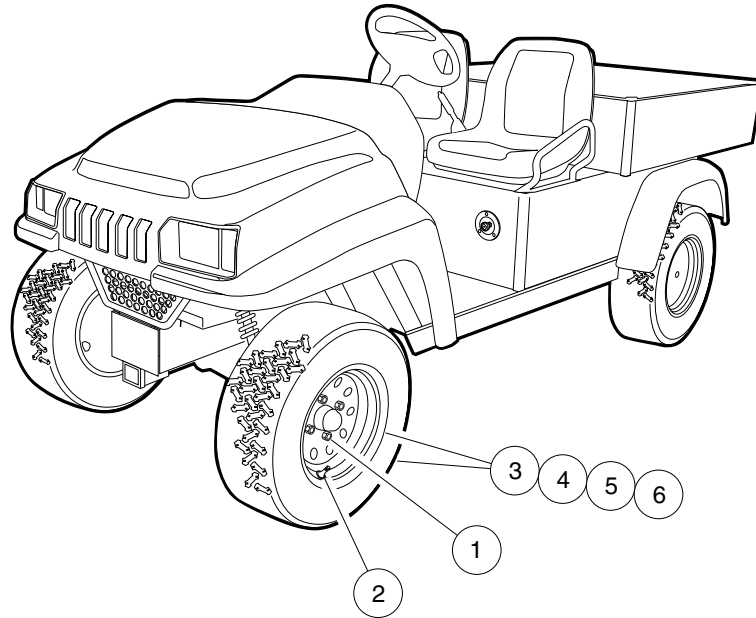
**G**

# WHEELS AND TIRES

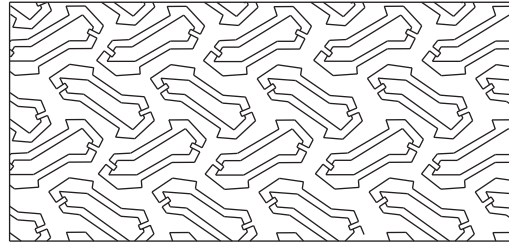
---

2

G



ALL TERRAIN  
TREAD



TURF  
TREAD

# WHEELS AND TIRES

ITEM	PART NO.	DESCRIPTION	QTY
		1 2 3 4	
1	1010984	Nut, Lug .....	16
2	7310	Stem, Valve * .....	1
3	102021402	Assembly, Wheel (gray) and Tire, All Terrain Tread, 4-Ply Rated (23 x 10.50 - 12) (All Trail) (includes item 4) .....	4
4	****	Tire, Unmounted, All Terrain Tread (23 x 10.50 - 12) (All Trail) .....	1
5	102021401	Assembly, Wheel (gray) and Tire, Turf Tread, 4-Ply Rated (23 x 10.50 - 12) (Turf Mate) (includes item 6) .....	4
6	****	Tire, Unmounted, Turf Tread (23 x 10.50 - 12) (Turf Mate) .....	1
		* Note: Item 2 is a part of all wheel assemblies.	
	****	Special order item available upon request.	



**2**

**G**

# DECALS

---

3

G

**⚠ WARNING**

**ROLLOVER OR FALLING OFF MAY CAUSE DEATH**

- Read operators manual and operating instructions.
- Remain seated and hold on to seat handle while moving.
- Drive slowly in turns and straight up and down slopes.
- Do not start vehicle until all occupants are seated.
- One (1) person per seat maximum.
- Operate from driver side only and not on public roads.
- Keep entire body inside vehicle while moving.
- Do not operate while under the influence of alcohol or drugs.
- Never attempt jumps.

CCI 102029301

**OPERATING INSTRUCTIONS**

- Read Owner's Manual and safety warnings located on dash panel prior to driving.
  - Study and understand controls.
  - Make sure wheels are turned in desired direction.
- Turn key to "ON" position and be sure nothing is in your path.
  - While vehicle is stopped, select direction by placing shift lever or switch in desired position:
    - Release hand brake.
- Vehicle will start moving when accelerator pedal is depressed.
  - Slowly depress accelerator pedal to increase speed.
- To stop, release accelerator pedal and depress brake pedal.
  - After stopping, set hand brake.
- Place forward and reverse switch in neutral position.
  - Turn key "OFF" and remove key when not in use.

CCI 102029301

**⚠ WARNING**

**REDUCED STEERING CONTROL MAY CAUSE SERIOUS INJURY OR DEATH**

Disengage differential lock on paved surfaces.

CCI 102046601

**⚠ WARNING**

**YOUNG DRIVERS INCREASE CHANCE OF DEATH**

**UNDER 16**

- Young drivers may not be able to control vehicle.
- No drivers younger than 16 years old.
- Do not leave children unattended on vehicle.

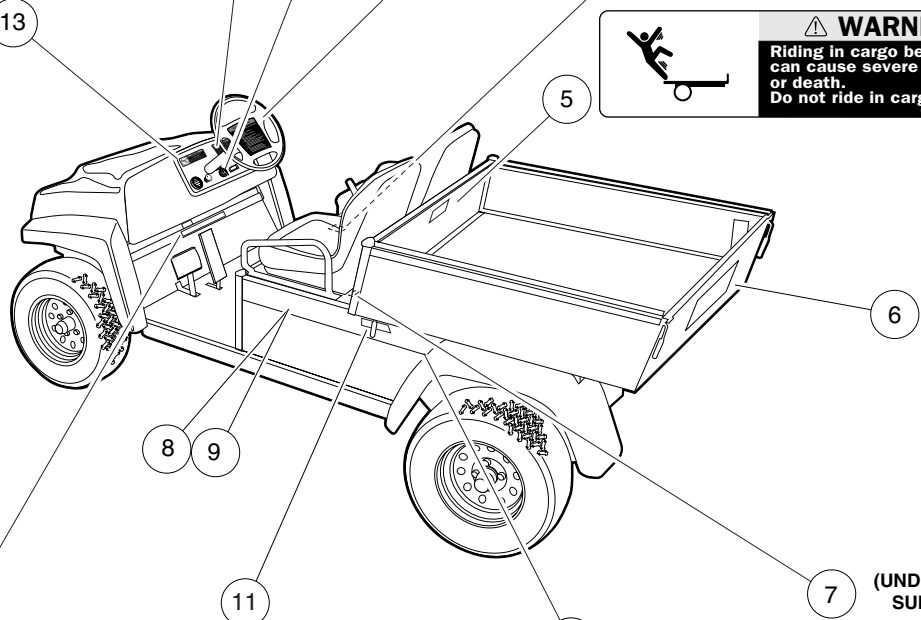
CCI 102044601

**OFF | ON**

**⚠ WARNING**

**Riding in cargo bed can cause severe injury or death. Do not ride in cargo bed.**

CCI 1015539-01



**⚠ WARNING**

**Crush area. Can cause severe injury. Stay clear when closing bed.**

**LATCH**

CCI 1015437-01



**(UNDER SEAT SUPPORT)**

**⚠ WARNING**

**CRUSH AREA**

**STAY CLEAR**

CCI 1016094-01

**VEHICLE LOADING**

Read Owner's Manual and warnings on dash.

- Vehicle rated capacity - 1200 lbs. on level surface only. Weight to include passengers, cargo bed load, and gross trailer weight. See Owner's Manual.
- Maximum cargo load - 800 lbs. Weight to include cargo bed load and gross trailer weight.
- Maximum trailer hitch tongue weight - 150 lbs.

- Cargo should be evenly spread over the floor of the cargo bed as far forward as possible and secured.
  - For vehicle stability, when fully loaded, drive slowly and avoid stopping on or backing down steep hills.
  - Avoid top heavy loads. See Owner's Manual.
  - When driving on uneven terrain or down steep hills, reduce speed and load.
- CCI 1019602-01



## DECALS – TURF 272 VEHICLES

ITEM	PART NO.	DESCRIPTION	QTY
		1 2 3 4	
1	102029101	Decal, Driver/Passenger Warning .....	1
2	101825101	Decal, Key Switch .....	1
3	102029301	Decal, Operating Instructions .....	1
4	101553901	Decal, Bed Load Warning .....	1
5	102046601	Decal, Differential Lock Control Warning .....	1
6	1013317	Decal, Club Car Tailgate .....	1
7	101609401	Decal, Crush Area Warning .....	2
8	102158301	Decal, Turf 272 (driver side) (includes items 10 and 11) .....	1
9	102157001	Decal, Turf 272 (passenger side) (includes item 10) .....	1
10	N/A	Decal, Ingersoll-Rand .....	1
11	N/A	Decal, Bed Latch Warning .....	1
12	101960201	Decal, Vehicle Loading .....	1
13	102044601	Decal, Under Age Warning .....	1

**3**  
**G**

**⚠ WARNING**

**ROLLOVER OR FALLING OFF MAY CAUSE DEATH**

- Read operators manual and operating instructions.
- Remain seated and hold on to seat handle while moving.
- Drive slowly in turns and straight up and down slopes.
- Do not start vehicle until all occupants are seated.
- One (1) person per seat maximum.
- Operate from driver side only and not on public roads.
- Keep entire body inside vehicle while moving.
- Do not operate while under the influence of alcohol or drugs.
- Never attempt jumps.

CCI 102029101

**OPERATING INSTRUCTIONS**

- Read owner's manual and safety warnings located on dash panel prior to driving.
- Study and understand controls.

**TO START ENGINE**

- Place shift lever in "N" - Neutral position.
- Depress brake pedal.

- Turn key switch to "START" position and hold, activating the choke as necessary, until engine starts.

**TO OPERATE VEHICLE**

- Make sure wheels are turned in desired direction.
- Be sure nothing is in your path.
- While vehicle is stopped, select vehicle direction by placing shift lever in desired position.

F - Forward    N - Neutral    R - Reverse (Buzzer will sound)

- Release hand brake.
- Slowly push accelerator pedal to increase speed.
- Accelerator pedal must be released to move shift lever.

**TO STOP VEHICLE**

- Release accelerator pedal and push brake pedal.
- After stopping, firmly set hand brake.
- Turn key to "OFF" position, remove key and place shift lever in straight up neutral position when not in use.

CCI 102224301

**⚠ WARNING**

**UNDER 16**

**YOUNG DRIVERS INCREASE CHANCE OF DEATH**

- Young drivers may not be able to control vehicle.
- No drivers younger than 16 years old.
- Do not leave children unattended on vehicle.

CCI 102044601

**⚠ WARNING**

**Riding in cargo bed can cause severe injury or death. Do not ride in cargo bed.**

CCI 1015539-01

**⚠ WARNING**

**REDUCED STEERING CONTROL MAY CAUSE SERIOUS INJURY OR DEATH**

Disengage differential lock on paved surfaces.



CCI 102046601

**⚠ WARNING**

**Crush area. Can cause severe injury. Stay clear when closing bed.**

LATCH

CCI 1015437-01



**(UNDER SEAT SUPPORT)**

**⚠ WARNING**

**CRUSH AREA**



**STAY CLEAR**

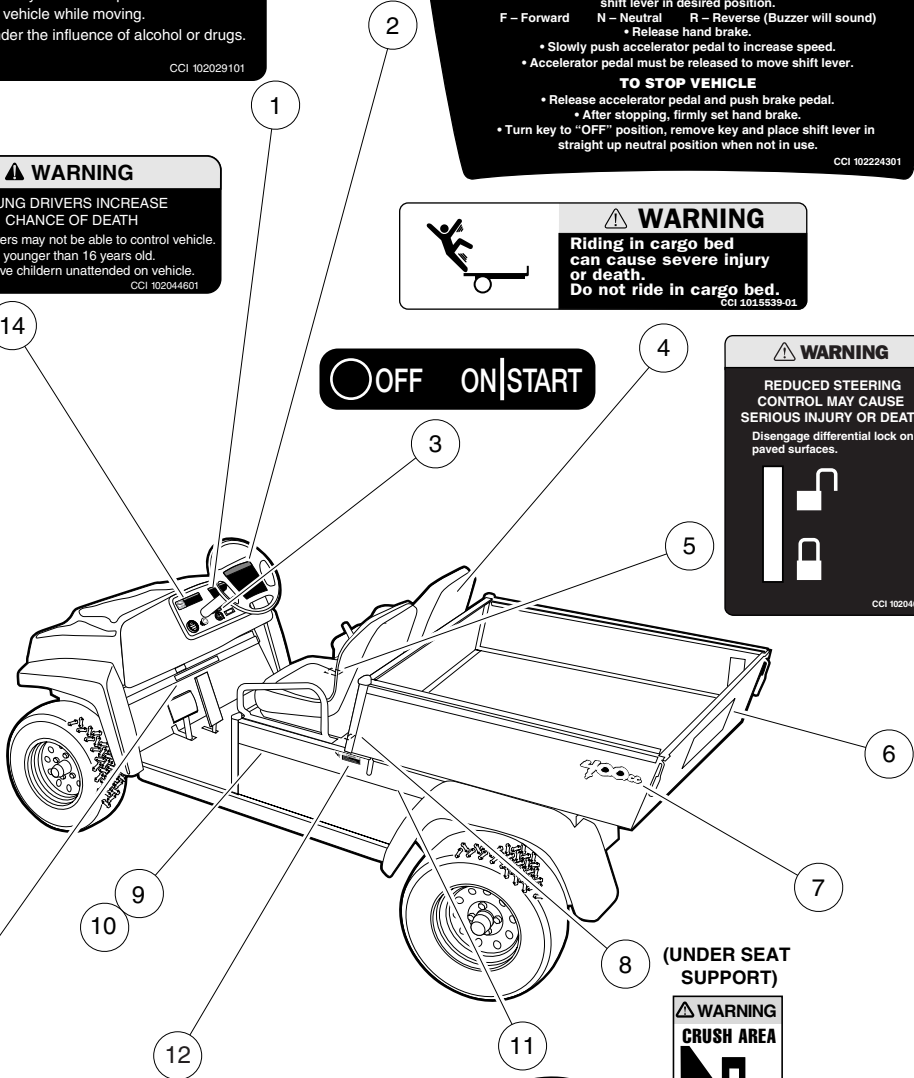
CCI 1016094-01

**VEHICLE LOADING**

Read Owner's Manual and warnings on dash.

- Vehicle rated capacity - 1200 lbs. on level surface only. Weight to include passengers, cargo bed load, and gross trailer weight. See Owner's Manual.
- Maximum cargo load - 800 lbs. Weight to include cargo bed load and gross trailer weight.
- Maximum trailer hitch tongue weight - 150 lbs.

- Cargo should be evenly spread over the floor of the cargo bed as far forward as possible and secured.
  - For vehicle stability, when fully loaded, drive slowly and avoid stopping on or backing down steep hills.
  - Avoid top heavy loads. See Owner's Manual.
  - When driving on uneven terrain or down steep hills, reduce speed and load.
- CCI 1019602-01



## DECALS – CARRYALL 272 VEHICLES

ITEM	PART NO.	DESCRIPTION	QTY
		1 2 3 4	
1	102029101	Decal, Driver/Passenger Warning .....	1
2	102224301	Decal, Operating Instructions .....	1
3	101825102	Decal, Key Switch .....	1
4	101553901	Decal, Bed Load Warning .....	1
5	102046601	Decal, Differential Lock Control Warning .....	1
6	102234901	Decal, Club Car Tailgate .....	1
7	102274701	Decal, 400 cc (FE400 engine vehicles only) .....	2
8	101609401	Decal, Crush Area Warning .....	2
9	102157601	Decal, Carryall 272 (driver side) (includes items 11 and 12) .....	1
10	102156301	Decal, Carryall 272 (passenger side) (includes item 11) .....	1
11	N/A	Decal, Ingersoll-Rand .....	1
12	N/A	Decal, Bed Latch Warning .....	1
13	101960201	Decal, Vehicle Loading .....	1
14	102044601	Decal, Under Age Warning .....	1

**3**

**G**

**WARNING**



- GASOLINE EXPLOSION / FIRE.
- CAN CAUSE SEVERE INJURY OR DEATH.
- NO SMOKING, SPARKS, OR OPEN FLAME.
- STOP ENGINE, ALLOW TO COOL BEFORE REFUELING.
- TURN FUEL VALVE (  ) ON DURING OPERATION.
- (  ) OFF DURING STORAGE OR TRANSPORT.

CCI 1015476-01

(ON PASSENGER-SIDE SEAT SUPPORT)

**WARNING**



**Rotating Parts**

CCI 102224001

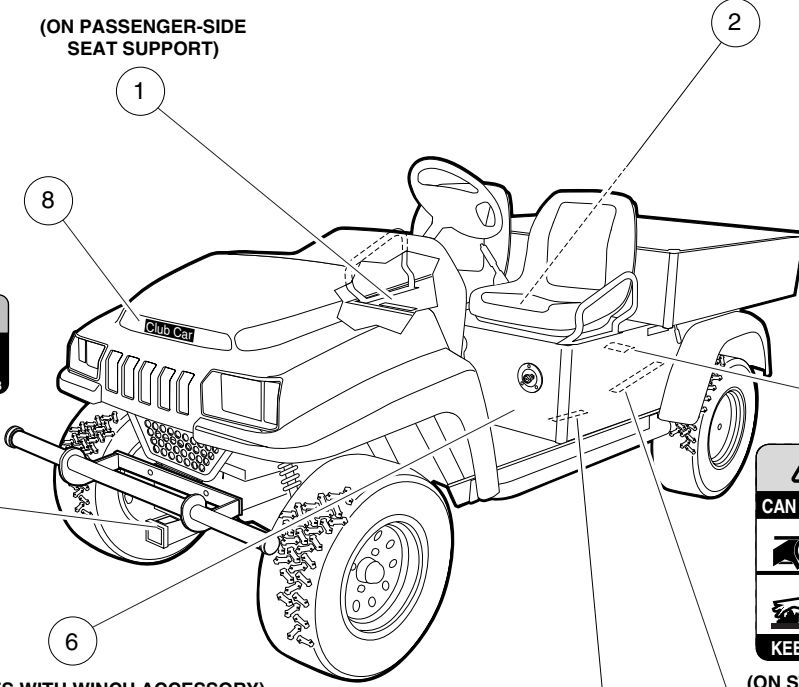
(ON PASSENGER-SIDE REAR FENDER)

**NOTICE**

**MAXIMUM TONGUE WEIGHT - 150 lbs.**

CCI 1011553

(ON FRONT AND REAR RECEIVER HITCHES)



**WARNING**

**CAN CAUSE SEVERE INJURY**



**Rotating parts**




**HOT manifold & muffler**

**KEEP CLEAR**

CCI 1019605-01

(ON STARTER/GENERATOR AND ENGINE)

**WARNING**




**WINCH CABLE FRACTURE COULD RESULT IN SERIOUS INJURY OR DEATH.**

- Do not use winch while persons are seated on the vehicle.
- Use remote operation switch for winch control.
- Stand to the side and away from the vehicle to operate winch.
- Read winch operator manual before operating winch.

CCI 102231601

(ON SEAT SUPPORT PANEL)

**WARNING**





**INCORRECT WIRING COULD RESULT IN SEVERE INJURY OR DEATH.**

- Diode and solenoid connections must have correct polarity.
- Keep all persons clear of engine belts when making final connections.

CCI 102345901

(ON FRAME ABOVE DIODE)

	<p><b>WARNING</b></p> <p><b>Negative frame ground. Can cause severe injury. Do not contact positive (+) battery post or cable to frame. Disconnect negative battery lead first.</b></p>		<p><b>WARNING</b></p> <p><b>Excessive speed. Can cause severe injury or death. Do not tamper with engine governor adjustment.</b></p> <p>CCI 1019152-01</p>
---	---	---	---

(ON FRAME NEXT TO BATTERY)

## DECALS, CONTINUED – TURF 272 AND CARRYALL 272 VEHICLES

ITEM	PART NO.	DESCRIPTION	QTY
		1 2 3 4	
1	101547601	Decal, Gasoline Warning .....	1
2	102224001	Decal, Rotating Parts .....	1
3	101960501	Decal, Rotating Parts and Hot Manifold .....	2
4	101915201	Decal, Frame Ground .....	1
5	102345901	Decal, Diode Wiring (key-start vehicle only) .....	1
6	102231601	Decal, Winch Cable Warning .....	1
7	1011553	Decal, Trailer Hitch .....	2
8	102046501	Decal, Club Car (Turf 272) .....	1
8	102228001	Decal, Club Car (Carryall 272) .....	1

**3**  
**G**

**⚠ WARNING**

**ROLLOVER OR FALLING OFF MAY CAUSE DEATH**

- Read operators manual and operating instructions.
- Remain seated and hold on to seat handle while moving.
- Drive slowly in turns and straight up and down slopes.
- Do not start vehicle until all occupants are seated.
- Front seats: One (1) person per seat maximum.
- Operate from driver side only and not on public roads.
- Keep entire body inside vehicle while moving.
- Do not operate while under the influence of alcohol or drugs.
- Never attempt jumps.

CCI 102029101

**OPERATING INSTRUCTIONS**

- Read owner's manual and safety warnings located on dash panel prior to driving.
- Study and understand controls.

**TO START ENGINE**

- Place shift lever in "N" - Neutral position.
- Depress brake pedal.

- Turn key switch to "START" position and hold, activating the choke as necessary, until engine starts.

**TO OPERATE VEHICLE**

- Make sure wheels are turned in desired direction.
- Be sure nothing is in your path.

- While vehicle is stopped, and the engine is at idle, select vehicle direction by placing shift lever in desired position.

F - Forward    N - Neutral    R - Reverse (Buzzer will sound)

- Release hand brake.
- Slowly push accelerator pedal to increase speed.
- Engine must be at idle before moving shift lever.

**TO STOP VEHICLE**


- Release accelerator pedal and push brake pedal.
- After stopping, firmly set hand brake.
- Turn key to "OFF" position, remove key and place shift lever in straight up neutral position when not in use.

CCI 102224301

**⚠ WARNING**

**REDUCED STEERING CONTROL MAY CAUSE SERIOUS INJURY OR DEATH**

Disengage differential lock on paved surfaces.



CCI 102046601

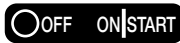
**⚠ WARNING**

**YOUNG DRIVERS INCREASE CHANCE OF DEATH**

**UNDER 16**


- Young drivers may not be able to control vehicle.
- No drivers younger than 16 years old.
- Do not leave children unattended on vehicle.

CCI 102044601

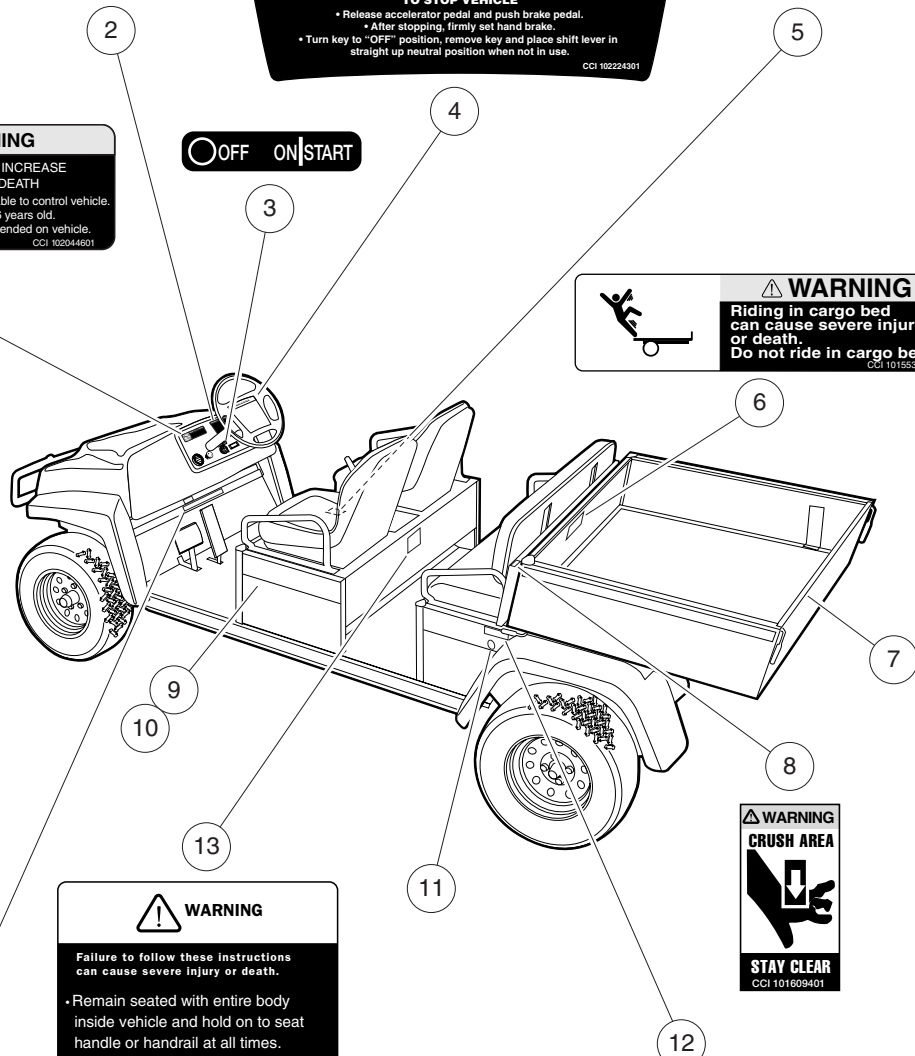


**⚠ WARNING**

**Riding in cargo bed can cause severe injury or death. Do not ride in cargo bed.**



CCI 101283901



**⚠ WARNING**

**Failure to follow these instructions can cause severe injury or death.**

- Remain seated with entire body inside vehicle and hold on to seat handle or handrail at all times.
- No more than two persons per seat.
- Do not leave children unattended on vehicle at anytime.
- Never stand in front of or behind vehicle.

CCI 1017057-01

**⚠ WARNING**

**CRUSH AREA**




**STAY CLEAR**

CCI 101609401

**⚠ WARNING**

**Crush area. Can cause severe injury. Stay clear when closing bed.**

LATCH OPEN



**VEHICLE LOADING**

Read Owner's Manual and warnings on dash.

- Vehicle rated capacity - 1300 lbs. on level surface only. Weight to include passengers, cargo bed load, and gross trailer weight. See owner's manual.
- Maximum cargo load - 500 lbs. Weight to include cargo bed load and gross trailer weight.
- Maximum trailer hitch tongue weight - 150 lbs.
- Cargo should be evenly spread over the floor of the cargo bed as far forward as possible and secured.
- For vehicle stability, when fully loaded, drive slowly and avoid stopping on or backing down steep hills.
- Avoid top heavy loads. See owner's manual.
- When driving on uneven terrain or down steep hills, reduce speed and load.

CCI 102274301

## DECALS, CONTINUED – CARRYALL 472 VEHICLES

ITEM	PART NO.	DESCRIPTION	QTY
		1 2 3 4	
1	102044601	Decal, Under Age Warning .....	1
2	102029101	Decal, Driver/Passenger Warning .....	1
3	101825102	Decal, Key Switch .....	1
4	102224301	Decal, Operating Instructions .....	1
5	102046601	Decal, Differential Lock Control Warning .....	1
6	101553901	Decal, Bed Load Warning .....	1
7	102234901	Decal, Club Car Tailgate .....	1
8	101609401	Decal, Crush Area Warning .....	2
9	102334801	Decal, Carryall 472 (driver side) (includes items 11 and 12) .....	1
10	102334701	Decal, Carryall 472 (passenger side) (includes item 11) .....	1
11	N/A	Decal, Ingersoll-Rand .....	1
12	N/A	Decal, Bed Latch Warning .....	1
13	101705701	Decal, Passenger Warning .....	1
14	102274301	Decal, Vehicle Loading .....	1

3

G

**WARNING**

- GASOLINE EXPLOSION / FIRE.
- CAN CAUSE SEVERE INJURY OR DEATH.
- NO SMOKING, SPARKS, OR OPEN FLAME.
- STOP ENGINE, ALLOW TO COOL BEFORE REFUELING.
- TURN FUEL VALVE (↔) ON DURING OPERATION.
- (↔) OFF DURING STORAGE OR TRANSPORT.

CCI 101547601

(ON PASSENGER SIDE SEAT SUPPORT)

**WARNING**

CAN CAUSE SEVERE INJURY

**Rotating parts**

**HOT**  
manifold & muffler

KEEP CLEAR

CCI 1019605-01

(ON STARTER/GENERATOR AND ENGINE)

**WARNING**

**Rotating Parts**

CCI 102224001

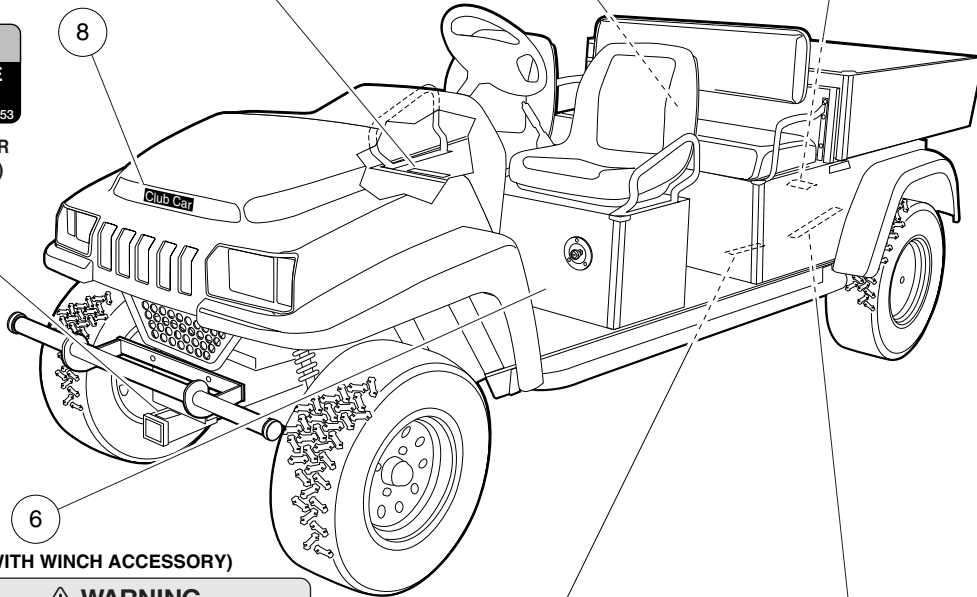
(TOP OF PASSENGER SIDE FENDER)

**NOTICE**

**MAXIMUM TONGUE WEIGHT - 150 lbs.**

CCI 1011553

(ON FRONT AND REAR RECEIVER HITCHES)



**WARNING**

**WINCH CABLE FRACTURE COULD RESULT IN SERIOUS INJURY OR DEATH.**

- Do not use winch while persons are seated on the vehicle.
- Use remote operation switch for winch control.
- Stand to the side and away from the vehicle to operate winch.
- Read winch operator manual before operating winch.

SVP146301

(ON SEAT SUPPORT PANEL)

**WARNING**

**INCORRECT WIRING COULD RESULT IN SEVERE INJURY OR DEATH.**

- Diode and solenoid connections must have correct polarity.
- Keep all persons clear of engine belts when making final connections.

CCI 102345901

(ON FRAME ABOVE DIODE)

	<p><b>WARNING</b></p> <p>Negative frame ground. Can cause severe injury. Do not contact positive (+) battery post or cable to frame. Disconnect negative battery lead first.</p>		<p><b>WARNING</b></p> <p>Excessive speed. Can cause severe injury or death. Do not tamper with engine governor adjustment.</p> <p>CCI 1019152-01</p>
--	--	--	--

(ON FRAME)



## DECALS, CONTINUED – CARRYALL 472 VEHICLES

ITEM	PART NO.	DESCRIPTION	QTY
		1 2 3 4	
1	101547601	Decal, Gasoline Warning .....	1
2	102224001	Decal, Rotating Parts .....	1
3	101960501	Decal, Rotating Parts and Hot Manifold .....	2
4	101915201	Decal, Frame Ground .....	1
5	102345901	Decal, Diode Wiring (key-start vehicle only) .....	1
6	102231601	Decal, Winch Cable Warning .....	1
7	1011553	Decal, Trailer Hitch .....	2
8	102228001	Decal, Club Car .....	1

3

G

**3**

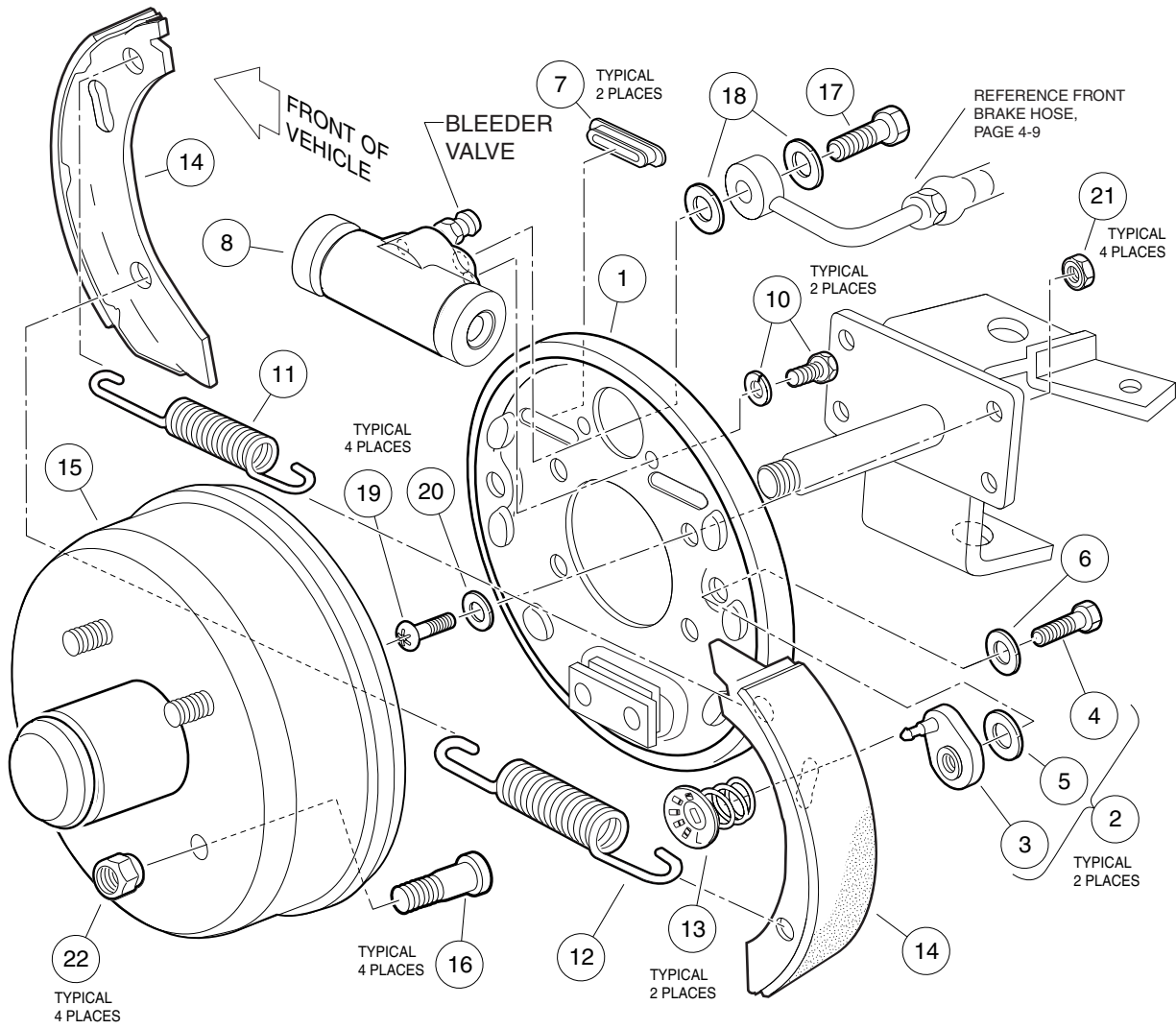
**G**

# BRAKE SYSTEMS

---

4

G

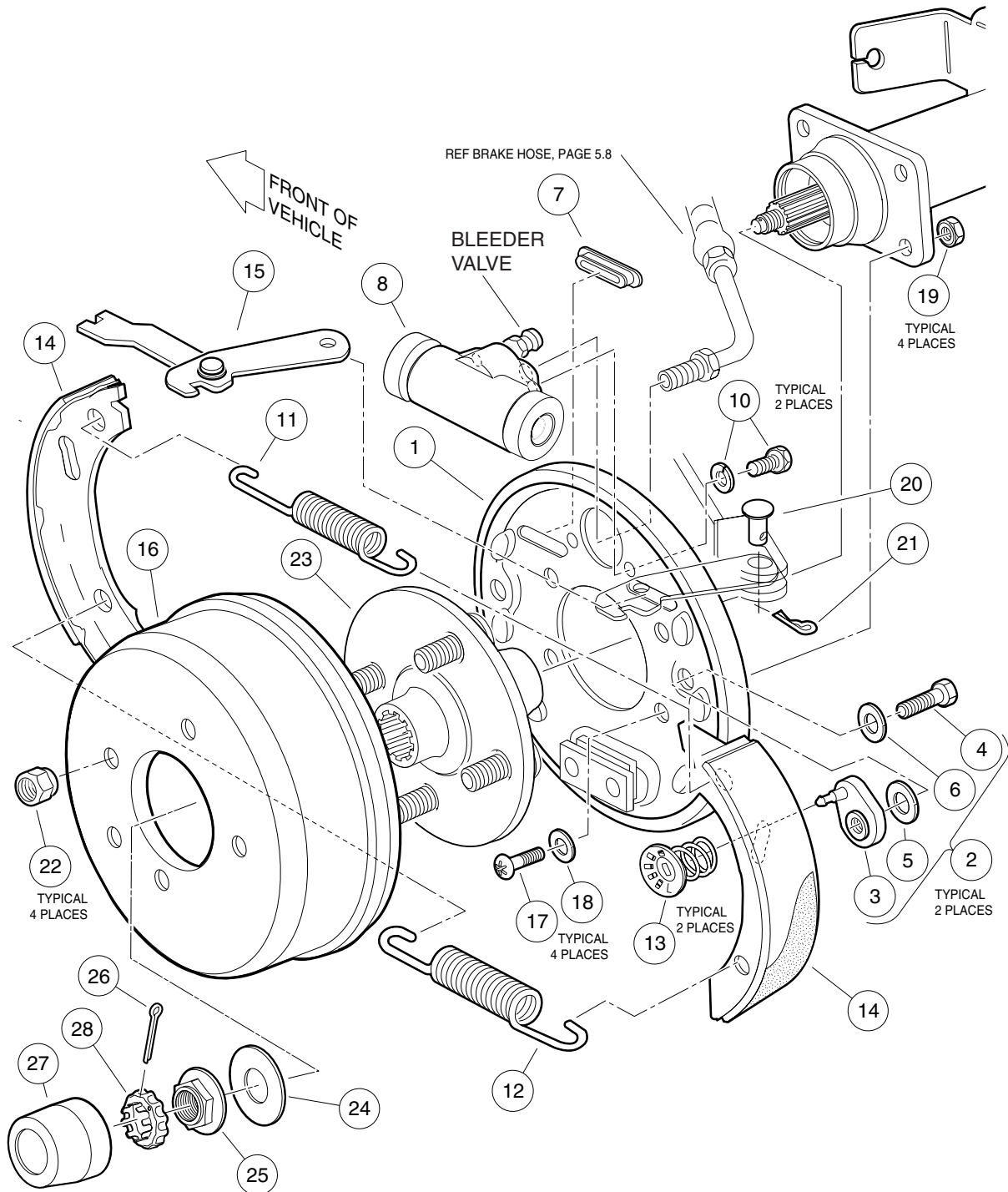


# FRONT BRAKE ASSEMBLY

ITEM	PART NO.	DESCRIPTION	QTY
		1 2 3 4	
	102033301	Cluster, Brake (includes items 1 - 14) .....	2
1	102049401	Plate, Backing .....	1
2	102049601	Kit, Adjuster, Axle (one kit will service both front brakes) (includes items 3 - 7) .....	1
3	102049501	Assembly, Adjuster Lever .....	4
4	102049901	Bolt, 1/4-28 x .31 .....	4
5	102050001	Washer, Bellville .....	4
6	N/A	Washer, Flat .....	4
7	102050101	Cover, Dust .....	4
8	102050301	Cylinder, Wheel, 5/8 .....	1
9	102049701	Kit, Axle Hardware (not shown) (includes items 10 - 13) .....	1
10	102050401	Bolt, Wheel Cylinder, Self-Locking, M6 x 1 .....	2
11	102050601	Spring, Shoe to Shoe (upper) .....	1
12	102050501	Spring, Shoe to Shoe (lower) .....	1
13	102050701	Hold-down, Shoe .....	2
14	102050201	Kit, Hydraulic Shoe (BPI 4070) (four shoes per kit) .....	1
15	102044201	Assembly, Brake Drum and Hub (includes item 16) .....	2
16	1013787	Stud, Lug, 1/2-20 .....	4
17	102044401	Bolt, Banjo, 3/8-24 .....	2
18	102045501	Washer, Copper .....	4
19	102051001	Screw, Torx Pan-Head, 5/16-24 x 1 .....	8
20	1017233	Washer, Flat, 5/16 .....	8
21	1013924	Nut, Hex-Head Lock, Grade 8, 5/16-24 .....	8
22	1010984	Nut, Lug .....	8

4

G

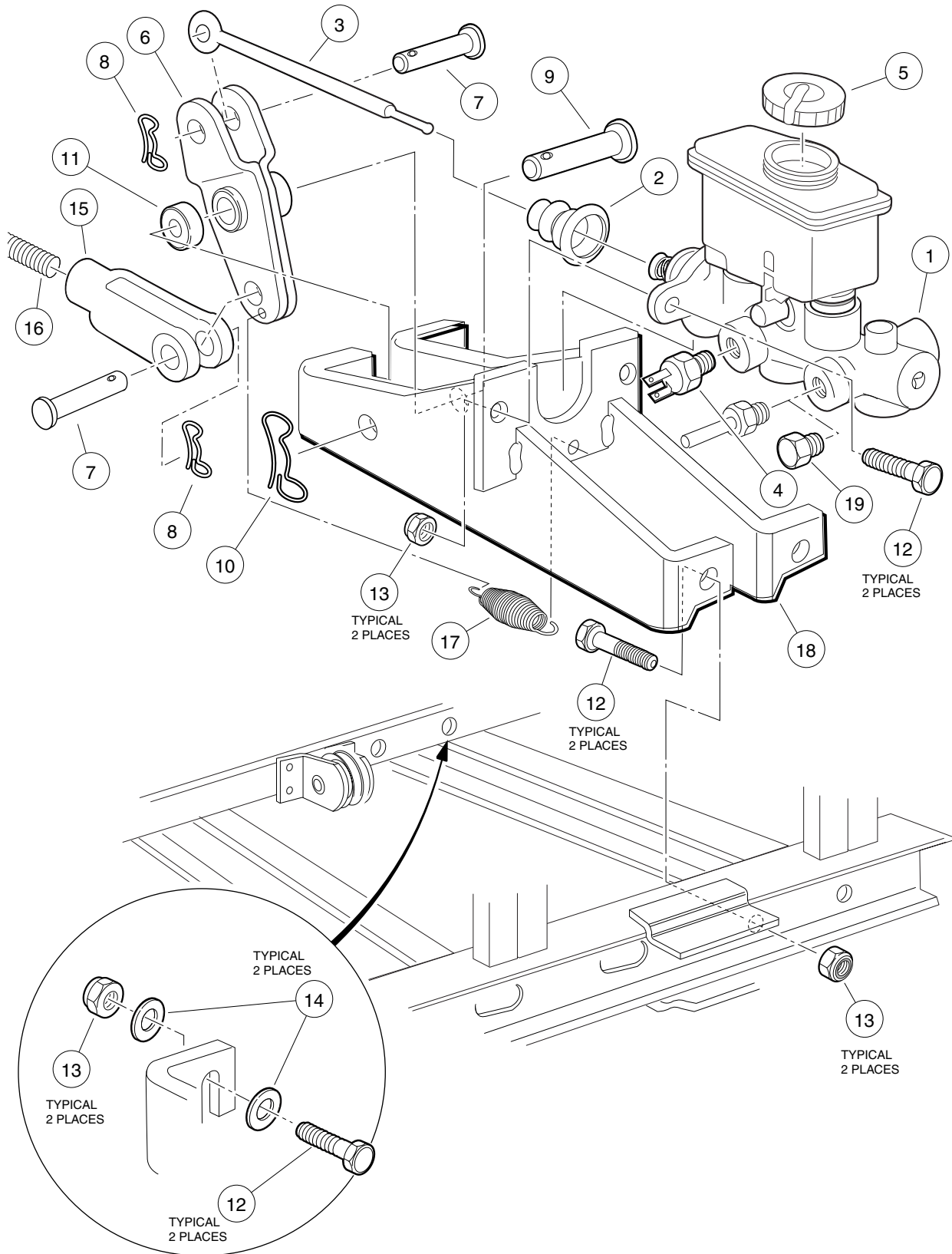


# REAR BRAKE ASSEMBLY

ITEM	PART NO.	DESCRIPTION	QTY
		1 2 3 4	
	102033401	Assembly, Brake, Driver-Side (includes items 1 - 15) .....	1
	102033501	Assembly, Brake, Passenger-Side (includes items 1 - 15) .....	1
1	102049401	Plate, Backing .....	1
2	102049601	Kit, Adjuster, Axle (one kit will service both rear brakes) (includes items 3 - 7) .....	1
3	102049501	Lever, Adjuster .....	4
4	102049901	Bolt, 1/4-28 x .31 .....	4
5	102050001	Washer, Bellville .....	4
6	N/A	Washer, Flat .....	4
7	102050101	Cover, Dust .....	4
8	102050801	Cylinder, Wheel, 7/8 .....	1
9	102049701	Kit, Axle Hardware (not shown) (includes items 10 - 13) .....	1
10	102050401	Bolt, Wheel Cylinder, Self-Locking, M6 x 1 .....	2
11	102050601	Spring, Shoe to Shoe (upper) .....	1
12	102050501	Spring, Shoe to Shoe (lower) .....	1
13	102050701	Hold-Down, Shoe .....	2
14	102050201	Kit, Hydraulic Shoe (BPI 4070) (four shoes per kit) .....	1
15	102050901	Lever, Park Brake, Passenger-Side .....	1
15	102050902	Lever, Park Brake, Driver-Side .....	1
16	102264701	Drum, Brake .....	1
17	102051001	Screw, Torx Pan-Head, 5/16-24 x 1 .....	8
18	1017233	Washer, Flat, 5/16 .....	8
19	1013924	Nut, Hex-Head Lock, Grade 8, 5/16-24 .....	8
20	1010829	Pin, Clevis, 5/16 .....	2
21	1013366	Pin, Hair Spring Cotter .....	2
22	1010984	Nut, Lug .....	8
23	102269101	Flange, Wheel Bolt .....	2
24	102269301	Washer, Flat .....	2
25	102269201	Nut, Washer .....	2
26	101838801	Pin, Cotter .....	2
27	102274101	Cap, Rubber Center .....	2
28	102276001	Cap, Locking .....	2

4

G





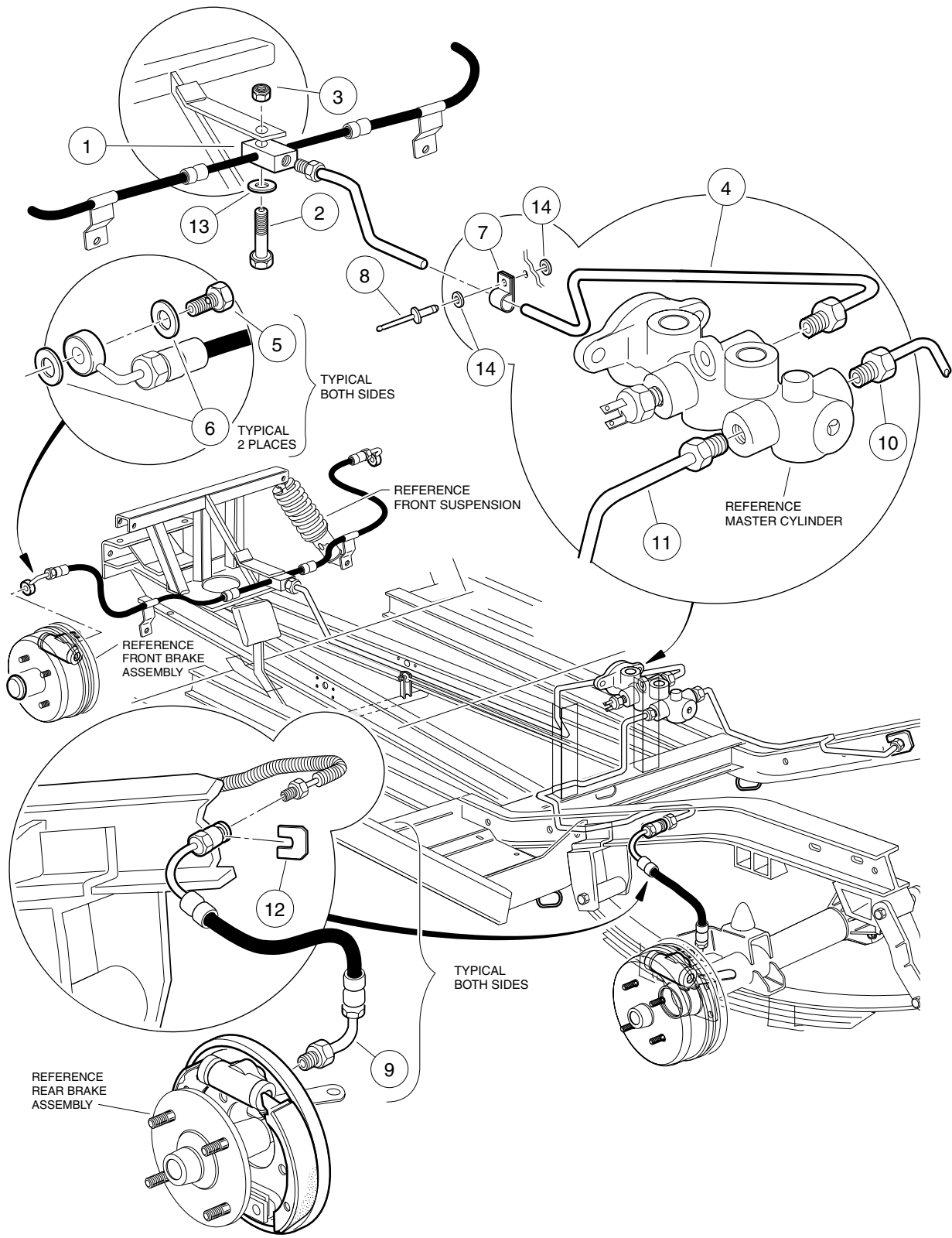
# MASTER CYLINDER

ITEM	PART NO.	DESCRIPTION	QTY
		1 2 3 4	
1	102033201	Assembly, Master Cylinder (includes items 2 - 5) .....	1
2	102051101	Boot .....	1
3	102051201	Rod, Push .....	1
4	102051301	Switch, Pressure .....	1
5	102051401	Cap, Filler .....	1
6	102054201	Crank, Bell (includes items 7 - 11) .....	1
7	N/A	Pin, Clevis, 3/8 x 1 5/16 .....	2
8	N/A	Pin, Bow Tie Locking.....	2
9	N/A	Pin, Clevis, 1/2 x 2 1/2 .....	1
10	N/A	Pin, Bow Tie .120 x 2.750 .....	1
11	N/A	Spacer (Not interchangeable with spacer 102057801).....	1
12	1010934	Screw, Hex-Head Cap, 5/16-18 x 1 .....	6
13	7473	Nut, Nylon Lock, 5/16 .....	6
14	1241	Washer, Flat, Type A, 5/16 .....	4
15	101806102	Clevis, Rod .....	1
16	101953105	Rod, Equalizer .....	1
17	1013531	Spring, Brake Pedal Return .....	1
18	102054401	Bracket, Master Cylinder Mounting .....	1
19	102339201	Plug, 3/8-24 (Carryall 472 only) .....	1

4

G

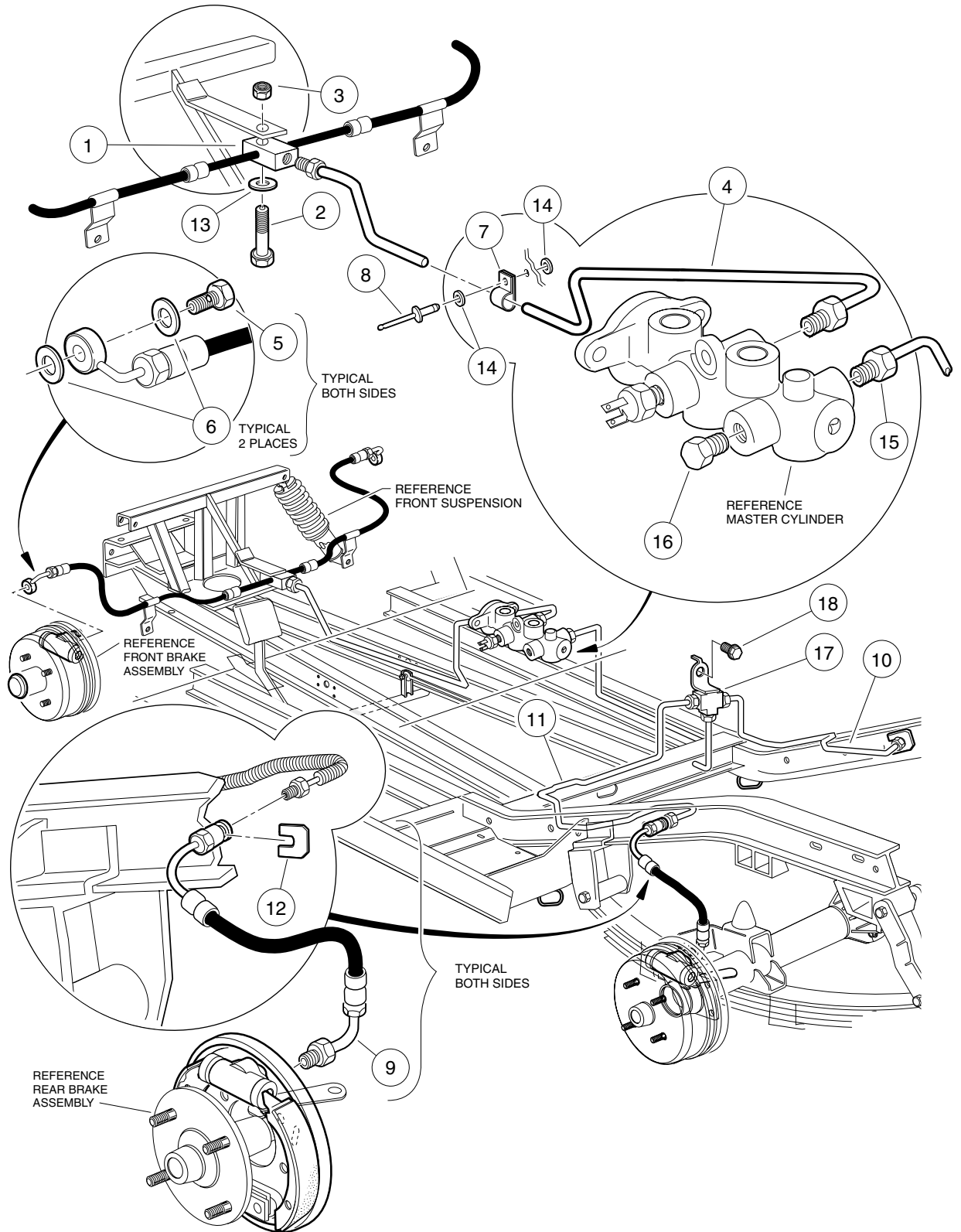
**4**  
**G**



# HYDRAULIC BRAKE SYSTEM – TURF 272 AND CARRYALL 272 VEHICLES

ITEM	PART NO.	DESCRIPTION	QTY
		1 2 3 4	
1	102032801	Hose, Brake, Front .....	1
2	7479	Screw, Hex-Head Cap, 1/4-20 x 1-1/4 .....	1
3	8233	Nut, Nylon Lock, 1/4-20 .....	1
4	102032901	Line, Brake, Front .....	1
5	102044401	Bolt, Banjo, 3/8-24 .....	2
6	102045501	Washer, Copper .....	4
7	102045801	P-Clamp .....	1
8	1014136	Rivet, Pop, Stainless Steel, 3/16 x 1/2 .....	1
9	102033101	Hose, Brake, Rear .....	2
10	102033001	Line, Brake, Rear (passenger side) .....	1
11	102044001	Line, Brake, Rear (driver side) .....	1
12	102045701	Clip, Horseshoe .....	2
13	1014007	Washer, Flat, 1/4 .....	1
14	183	Washer, Flat, Type A, #10 .....	2

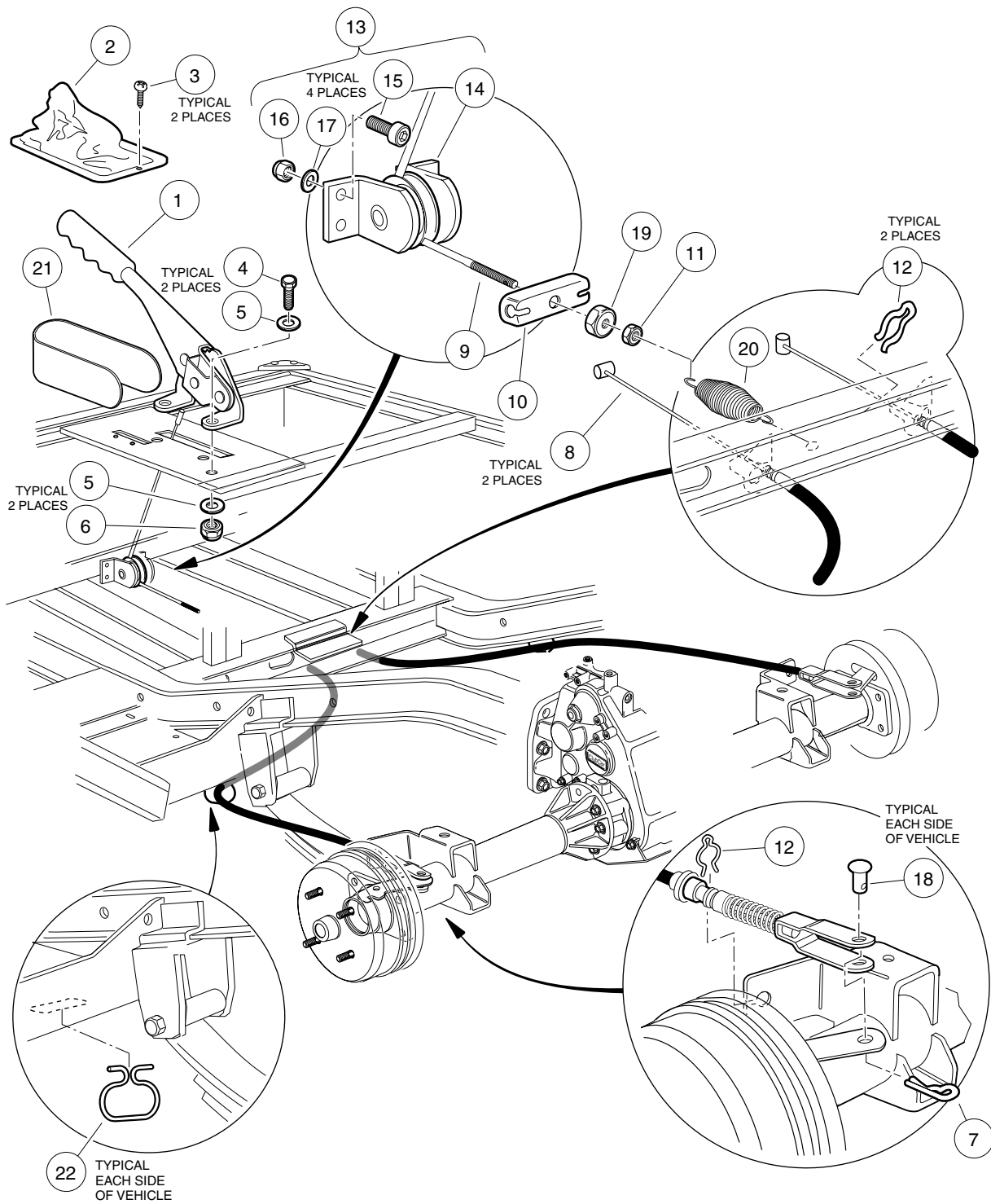
**4**  
**G**



# HYDRAULIC BRAKE SYSTEM – CARRYALL 472 VEHICLES

ITEM	PART NO.	DESCRIPTION	QTY
		1 2 3 4	
1	102032801	Hose, Brake, Front .....	1
2	7479	Screw, Hex-Head Cap, 1/4-20 x 1-1/4 .....	1
3	8233	Nut, Nylon Lock, 1/4-20 .....	1
4	102032901	Line, Brake, Front .....	1
5	102044401	Bolt, Banjo, 3/8-24 .....	2
6	102045501	Washer, Copper .....	4
7	102045801	P-Clamp .....	1
8	1014136	Rivet, Pop, Stainless Steel, 3/16 x 1/2 .....	1
9	102033101	Hose, Brake, Rear .....	2
10	102331701	Line, Brake, Rear (passenger side) .....	1
11	102331801	Line, Brake, Rear (driver side) .....	1
12	102045701	Clip, Horseshoe .....	2
13	1014007	Washer, Flat, 1/4 .....	1
14	183	Washer, Flat, Type A, #10 .....	2
15	102331601	Line, Brake Supply (master cylinder to tee) .....	1
16	102339201	Plug, 3/8-24 .....	1
17	102333301	Tee, Brake, 3/8 .....	1
18	1012285	Screw, Hex Washer-Head, 1/4-20 x 5/8 .....	1

**4**  
**G**



# HAND PARK BRAKE ASSEMBLY

ITEM	PART NO.	DESCRIPTION	QTY
		1 2 3 4	
1	102170901	Lever, Park Brake .....	1
2	102033701	Boot, Park Brake Lever .....	1
3	101832001	Screw, Phillips-Head, 5/16-18 .....	2
4	705	Screw, Hex-Head Cap, 3/8-16 x 1-1/4 .....	2
5	1011990	Washer, Flat, 3/8 .....	4
6	8754	Nut, Nylon Lock, 3/8-16 .....	2
7	1013366	Pin, Hair Spring Cotter .....	2
8	102033901	Cable, Park Brake, Long .....	2
9	102247201	Cable, Park Brake, Short (Turf 272 and Carryall 272 Vehicles) .....	1
9	102331201	Cable, Park Brake (Carryall 472 Vehicles) .....	1
10	102052701	Equalizer .....	1
11	102160501	Nut, Hex, 5/16-24 .....	1
12	102028401	Clip, Park Brake Cable .....	4
13	102242701	Kit, Pulley (includes items 14 - 17) .....	1
14	102028302	Pulley, Flat Mount, 2-inch .....	1
15	101260202	Screw, Socket-Head, #10-24 x .75 .....	4
16	1012438	Nut, Nylon Lock, #10-24 .....	4
17	183	Washer, Flat, Type A, #10 .....	4
18	1010829	Pin, Clevis, 5/16 .....	2
19	102052801	Nut, Hex Cone, 5/16-24 .....	1
20	1013531	Spring .....	1
21	N/A	Shield, Boot .....	1
22	101900802	Hanger, Brake Cable .....	2

4

G

**4**

**G**



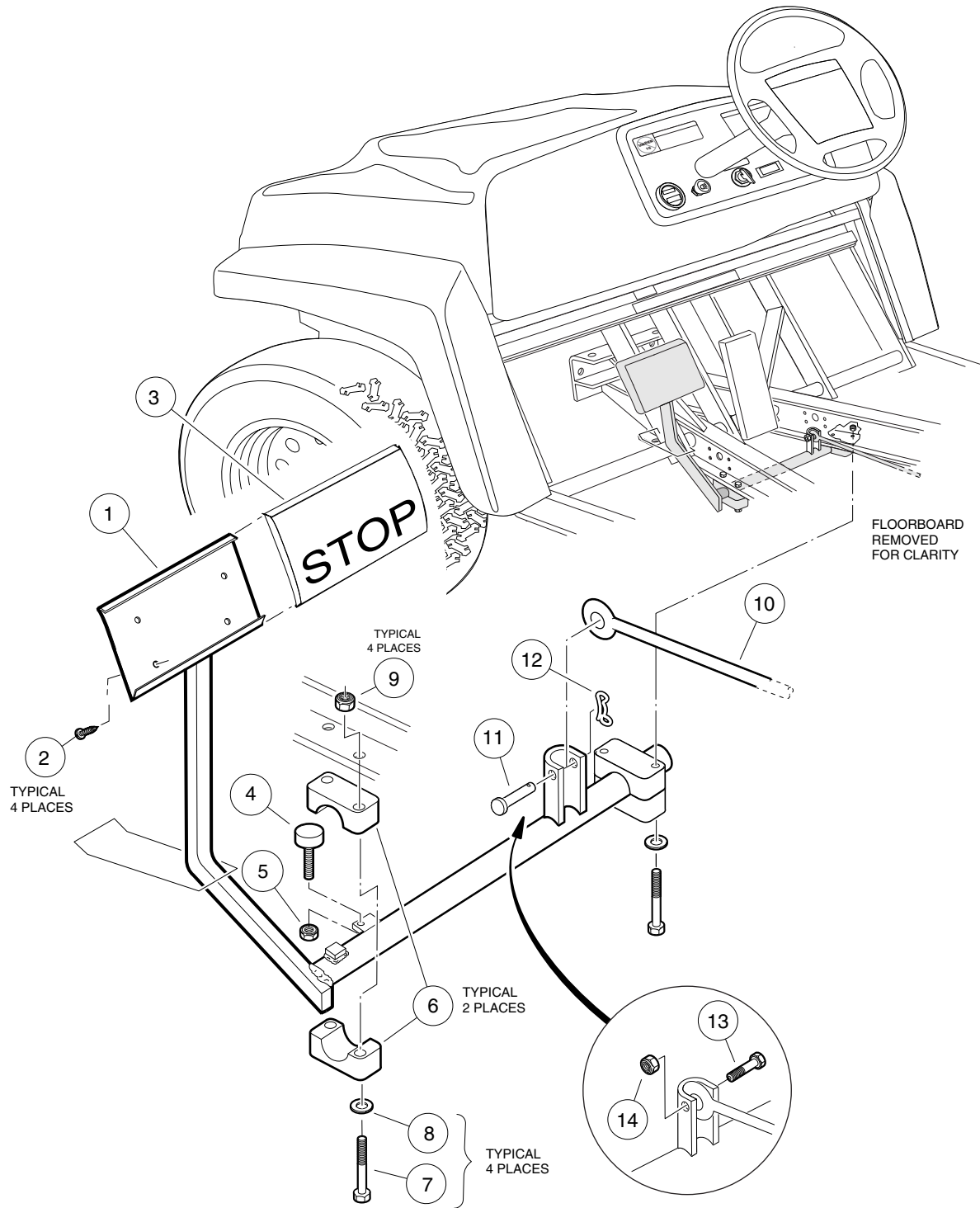
# PEDAL GROUP

---

5

G

**5**  
**G**

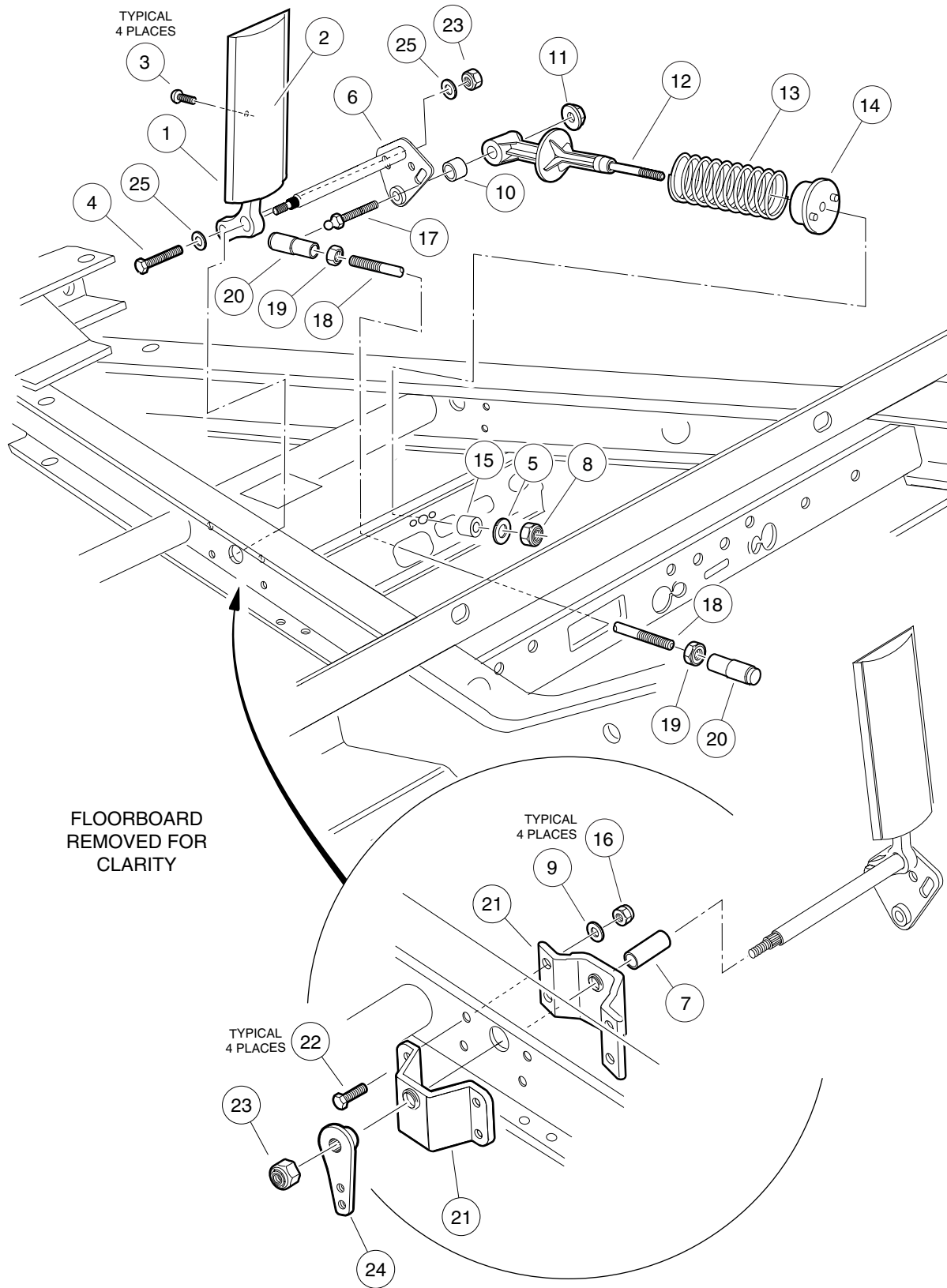


# BRAKE PEDAL ASSEMBLY

ITEM	PART NO.	DESCRIPTION	QTY
		1 2 3 4	
1	102028901	Assembly, Brake Pedal (includes items 2 - 5) .....	1
2	7716	Screw, Slotted Hex Washer-Head, #10-16 x 1/2 .....	4
3	102028601	Pad, Brake Pedal .....	1
4	1010878	Bumper, Rubber .....	1
5	1028	Nut, Hex, 1/4-20 .....	1
6	1011402	Package, Brake Mounting Block (contains upper and lower for driver and passenger sides) .....	1
7	1010921	Screw, Hex-Head Cap, 5/16-18 x 2-1/2 .....	4
8	1241	Washer, Flat, 5/16 .....	4
9	7473	Nut, Nylon Lock, 5/16-18 .....	4
10	101953105	Rod, Equalizer .....	1
11	102323201	Pin, Clevis, 5/16 (later style hardware) .....	1
12	102292801	Pin, Bow Tie Locking (later style hardware) .....	1
13	101953001	Bolt, Hex-Head Shoulder, 3/8 x 1 (earlier style hardware) .....	1
14	7473	Nut, Nylon Lock, 5/16-18 (earlier style hardware) .....	1

**5**  
**G**

**5**  
**G**



# ACCELERATOR PEDAL ASSEMBLY

ITEM	PART NO.	DESCRIPTION	QTY
		1 2 3 4	
1	1017696	Assembly, Accelerator Pedal (includes item 2 and 3) .....	1
2	1013871	Pad, Pedal .....	1
3	7716	Screw, Slotted Hex Washer-Head, #10-16 x 1/2 .....	4
4	1624	Screw, Hex-Head Cap, 3/8-16 x 1-1/2 .....	1
5	1241	Washer, Flat, 5/16 .....	1
6	102026001	Kit, Accelerator Pivot Rod (includes item 7) .....	1
7	1011700	Spacer .....	1
8	7473	Nut, Nylon Lock, 5/16-18 .....	1
9	332	Washer, Flat, Type A, 1/4 .....	4
10	1017424	Bearing, Pivot Support .....	1
11	101966901	Nut, Flanged Lock, 1/4-28 .....	1
12	101817401	Retainer, Spring .....	1
13	101796201	Spring, Return .....	1
14	1017378	Cup, Spring .....	1
15	1017380	Bumper, Return Spring .....	1
16	8233	Nut, Nylon Lock, 1/4-20 .....	4
17	101818801	Stud, Ball .....	1
18	101822001	Assembly, Accelerator Rod (Turf/Carryall 272) (includes items 19 and 20) .....	1
18	101674702	Assembly, Accelerator Rod (Carryall 472) (includes items 19 and 20) .....	1
19	1011084	Nut, UNF Hex Jam, 1/4-28 .....	2
20	1011734	Joint, Spring-Loaded Ball .....	2
21	1011694	Support, Accelerator Pivot Rod .....	2
22	101861901	Screw, Hex-Head Cap, 1/4-20 x 1-1/8 .....	4
23	8754	Nut, Nylon Lock, 3/8-16 .....	2
24	101916901	Spacer, Ratchet Support .....	1
25	334	Washer, Flat, 3/8 .....	2

**5**

**G**

**5**

**G**

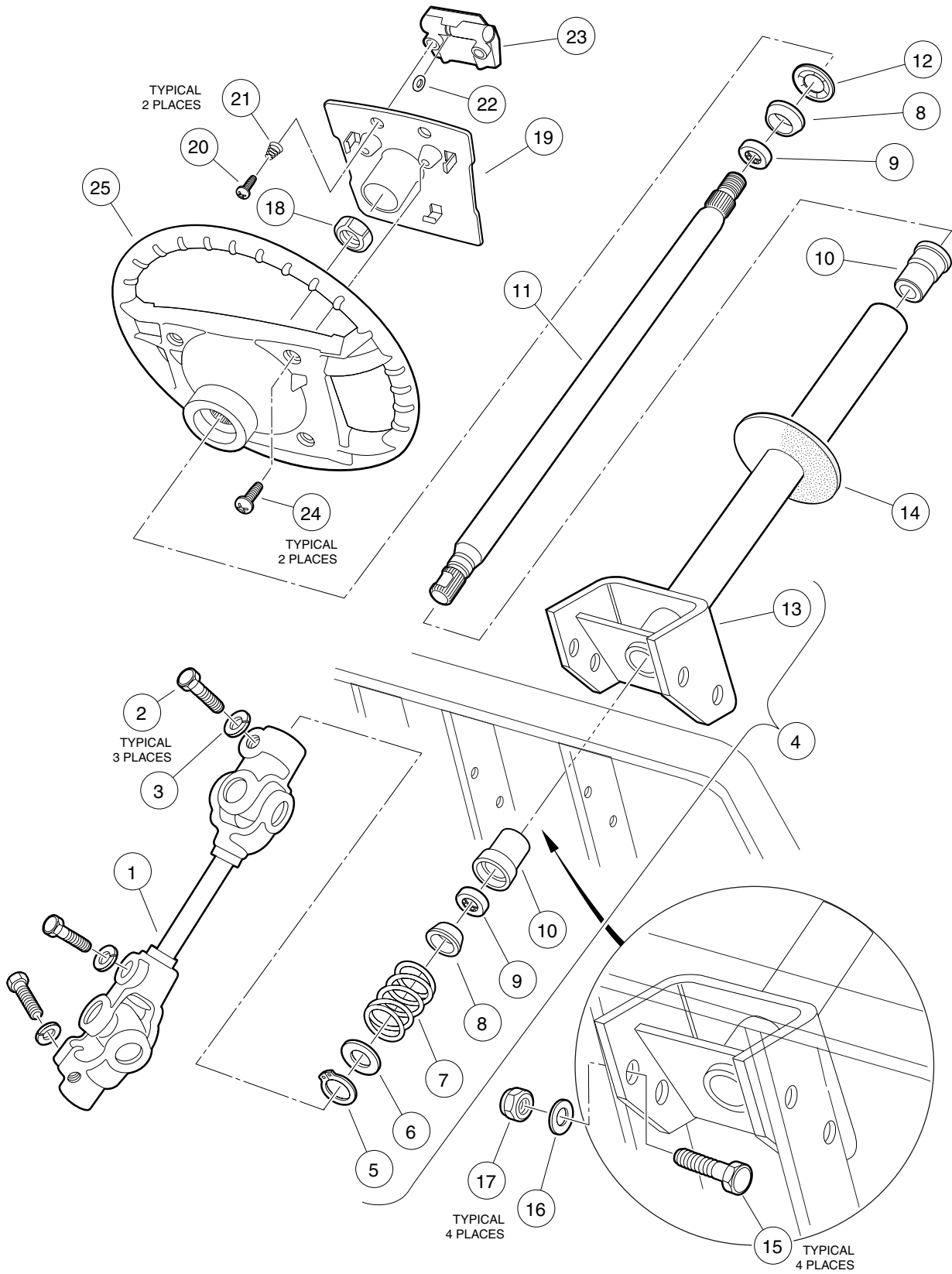
# STEERING, FRONT AND REAR SUSPENSION

---

6

G

**6**  
**G**

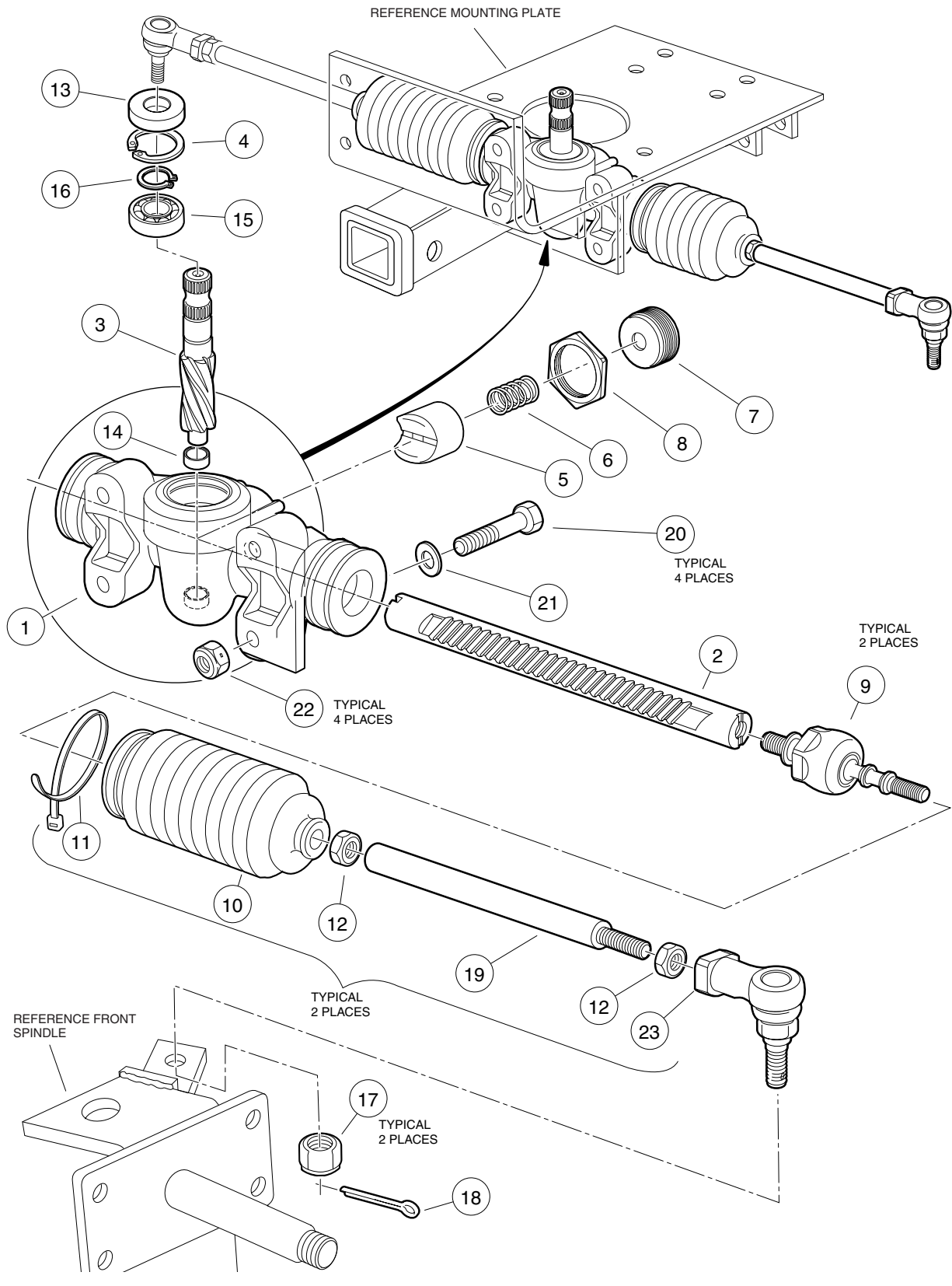




# STEERING COLUMN

ITEM	PART NO.	DESCRIPTION	QTY
		1 2 3 4	
1	102010201	Joint, Steering (includes items 2 and 3) .....	1
2	1017226	Screw, Hex-Head Cap, M8 x 1.25 x 30 mm .....	3
3	7174	Washer, Lock, 5/16 .....	3
4	102013101	Assembly, Steering Column (includes items 5 - 13) .....	1
5	1012605	Ring, Retaining .....	1
6	1012604	Washer, Steel, 5/8 .....	1
7	1014217	Spring, Compression .....	1
8	1014125	Wedge .....	2
9	1014213	Assembly, Bearing .....	2
10	1014126	Seat, Bearing .....	2
11	1017315	Shaft, Steering Column .....	1
12	1014214	Ring, Retaining .....	1
13	102013001	Weldment, Steering Column .....	1
14	102278001	Boot, Steering Column .....	1
15	320	Screw, Hex-Head Cap, 3/8-16 x 1 .....	4
16	334	Washer, Flat, Type A, 3/8 .....	4
17	8754	Nut, Nylon Lock, 3/8-16 .....	4
18	1017273	Nut, Nylon Lock, 5/8-18 .....	1
19	1016219	Assembly, Scorecard Plate (includes items 20 - 23) .....	1
20	1012565	Screw, Round-Head, #12-14 x 1 .....	2
21	1012566	Spring, Tapered Compression .....	2
22	1016214	Grip, Pencil .....	1
23	1016154	Clip, Scorecard .....	1
24	1016663	Screw, Phillips, Type A, #12-14 x 5/8 .....	2
25	1016156	Wheel, Steering .....	1

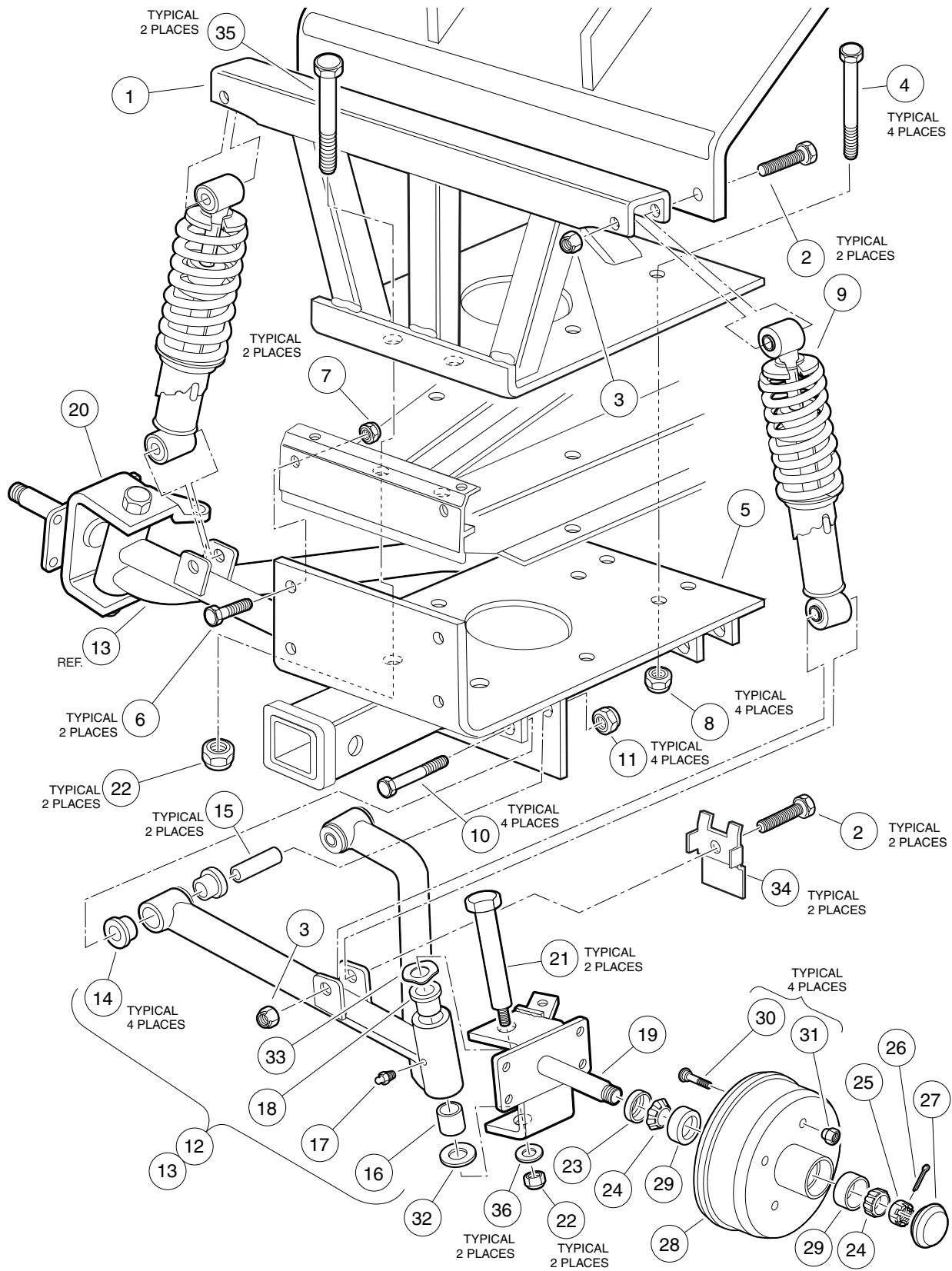
**6**  
**G**



# STEERING GEAR ASSEMBLY

ITEM	PART NO.	DESCRIPTION	QTY
		1 2 3 4	
	102010101	Assembly, Steering Gear Box (includes items 1 - 16) .....	1
1	N/A	Box, Steering Gear .....	1
2	N/A	Rack, Steering .....	1
3	N/A	Pinion, Steering .....	1
4	1013051	Ring, Snap .....	1
5	101879701	Guide, Steering Rack .....	1
6	101879801	Spring, Yoke .....	1
7	N/A	Screw, Rack Guide .....	1
8	1013044	Nut, Hex Jam, M30 x 2 .....	1
9	101880201	Assembly, Inner Ball Joint .....	2
10	1013035	Seal, Dust .....	2
11	8990	Tie, Wire .....	2
12	1013042	Nut, Hex Jam, M12 x 1.25 .....	4
13	1013052	Seal, Dust, Steering Pinion .....	1
14	N/A	Bearing, Lower Pinion .....	1
15	101879401	Bearing, Upper Pinion .....	1
16	101879901	Ring, C-Type Stop .....	1
17	102022901	Nut, Nylon Lock, M12 x 1.25 .....	2
18	102023301	Pin, Cotter .....	2
19	102022801	Link, Rack and Pinion Drag .....	2
20	1624	Screw, Hex-Head Cap, 3/8-16 x 1-1/2 .....	4
21	334	Washer, Flat, Type A, 3/8 .....	4
22	1010138	Nut, Dimpled Lock, 3/8-16 .....	4
23	102022601	Joint, Ball .....	2

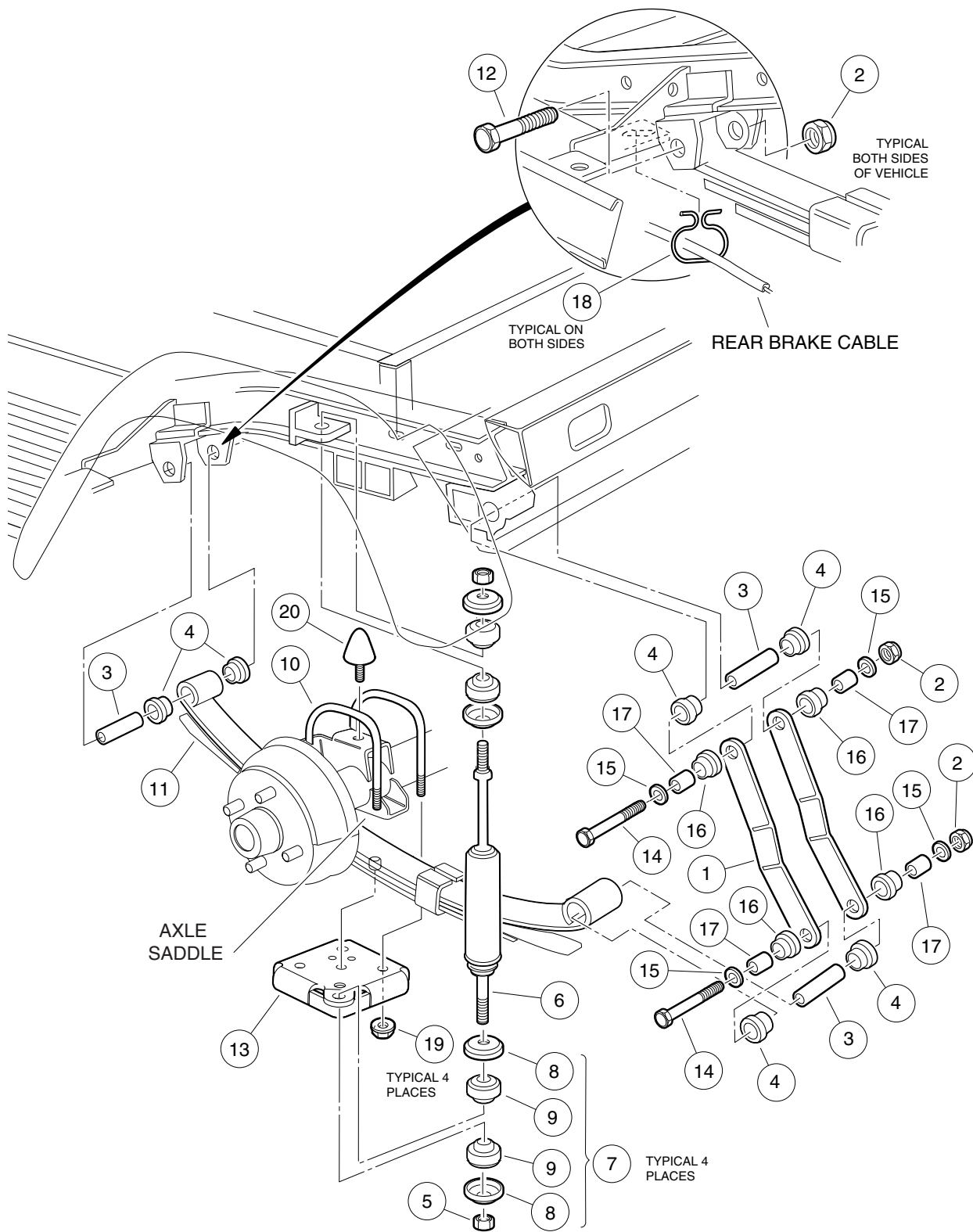
**6**  
**G**



# FRONT SUSPENSION

ITEM	PART NO.	DESCRIPTION	QTY
		1 2 3 4	
1	102012301	Tower, Shock .....	1
2	102023101	Screw, Hex-Head Cap, 7/16-14 x 2-1/4 .....	4
3	1014555	Nut, Nylon Lock, 7/16-14 .....	4
4	7270	Screw, Hex-Head Cap, 3/8-16 x 4-1/2 .....	4
5	102016801	Plate, Suspension Mounting .....	1
6	1010934	Screw, Hex-Head Cap, 5/16-18 x 1 .....	2
7	7473	Nut, Nylon Lock, 5/16-18 .....	2
8	8754	Nut, Nylon Lock, 3/8-16 .....	4
9	102017601	Shock, Coil Over .....	2
10	1016387	Screw, Hex-Head Cap, 3/8-16 x 2-3/4 .....	4
11	8754	Nut, Nylon Lock, 3/8-16 .....	4
12	102052401	Assembly, A-Arm, Driver-Side (includes items 14 - 18) .....	1
13	102052301	Assembly, A-Arm, Passenger-Side (includes items 14 - 18) .....	1
14	1016346	Bushing, Urethane .....	4
15	102066701	Sleeve, Steel .....	2
16	8067	Bushing, Bronze Spindle.....	1
17	1015597	Fitting, Grease, Thread-Forming, 1/4-28 .....	1
18	7048	Bushing, Bronze .....	1
19	102016701	Spindle, Driver-Side .....	1
20	102016501	Spindle, Passenger-Side .....	1
21	102048601	Bolt, Kingpin .....	2
22	101903101	Nut, Nylon Lock, 1/2-20 .....	4
23	102023001	Seal, Double Lip .....	2
24	102013701	Bearing, Hub .....	4
25	102013801	Nut, Slotted Hex .....	2
26	101838801	Pin, Cotter, 5/32 x 1-1/4 .....	2
27	102013601	Cover, Dust .....	2
28	102044201	Assembly, Brake Drum (includes items 29 and 30) .....	2
29	N/A	Cup, Bearing .....	2
30	1013787	Stud, Lug, 1/2-20 .....	4
31	1010984	Nut, Lug, 1/2-20 .....	8
32	1010150	Bearing, Thrust .....	2
33	1016389	Washer, Kingpin Wave .....	2
34	102100001	Stop, Steering .....	2
35	102067001	Screw, Hex-Head Cap, 1/2-20 x 4-1/2 .....	2
36	1010028	Washer, Flat, 1/2 .....	2

6  
G



# REAR SUSPENSION

ITEM	PART NO.	DESCRIPTION	QTY
		1 2 3 4	
1	102256901	Shackle, Rear Spring .....	4
2	8754	Nut, Nylon Lock, 3/8-16 .....	6
3	1012303	Bushing, Steel .....	6
4	1015583	Bushing, Urethane .....	12
5	1010145	Nut, UNF Hex, 3/8-24 .....	4
6	102267301	Shock Absorber, Rear .....	2
7	1011415	Kit, Shock Absorber Cushion (includes items 8 and 9) .....	4
8	N/A	Retainer, Shock Absorber Cushion .....	2
9	N/A	Cushion, Shock Absorber .....	2
10	102258801	U-Bolt .....	4
11	102006501	Spring, Rear Four-leaf .....	2
12	102066201	Screw, Hex-Head Cap, Grade 8, 3/8-16 x 3-1/2 .....	2
13	102266301	Pad, Spring .....	2
14	7270	Screw, Hex-Head Cap, 3/8-16 x 4-1/2 .....	4
15	808	Washer, Flat, 3/8 .....	8
16	1015453	Mount, Compression .....	8
17	102045601	Spacer .....	8
18	101900802	Hanger, Brake Cable .....	2
19	102065001	Nut, Flanged, 7/16-14 .....	8
20	102188701	Stop, Axle .....	2

**6**  
**G**

**6**

**G**



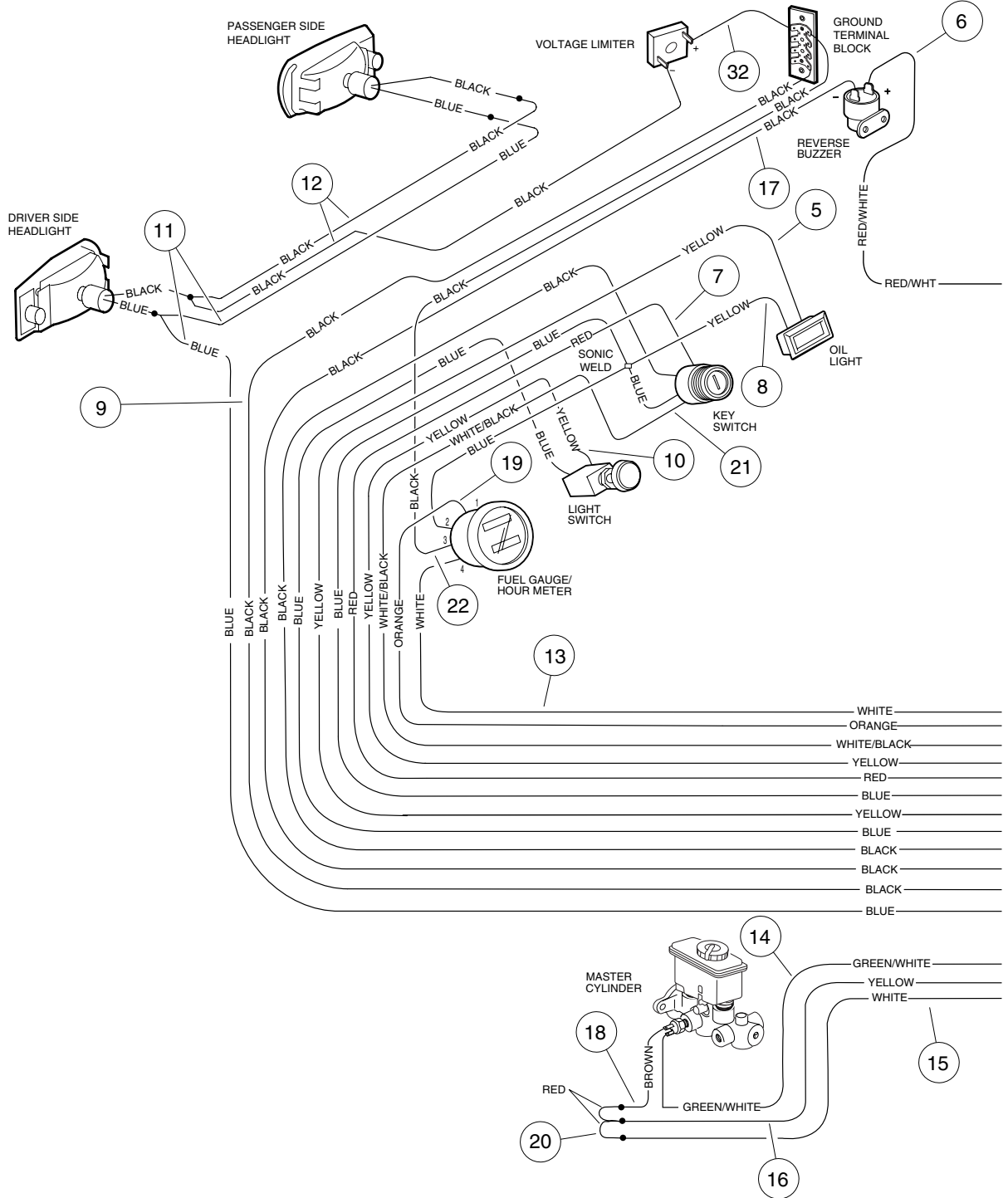
# ELECTRICAL SYSTEM

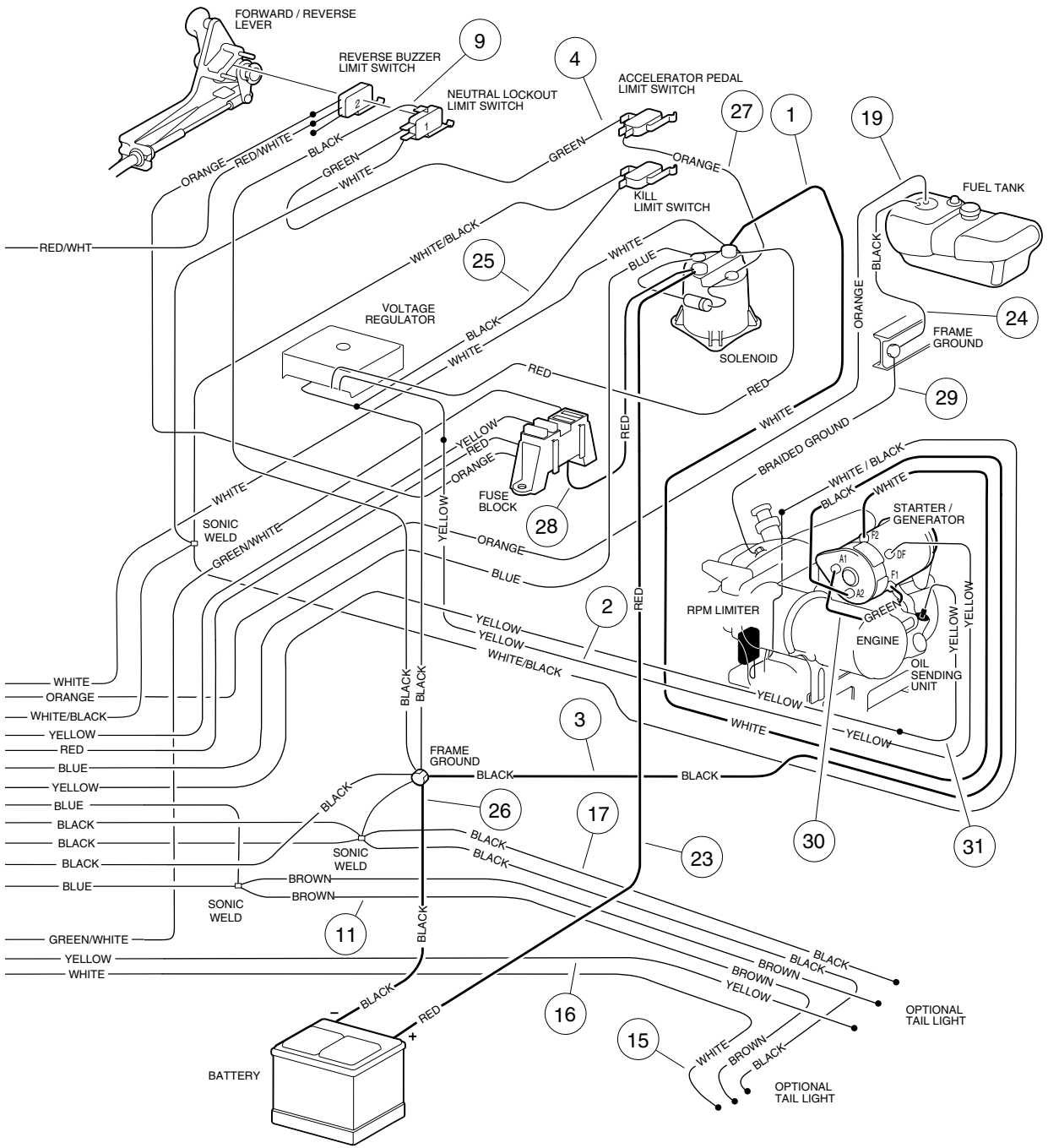
---

7

G

# TURF 272 PEDAL-START VEHICLE WIRING





**7**

**G**

See previous two pages for wiring diagram.

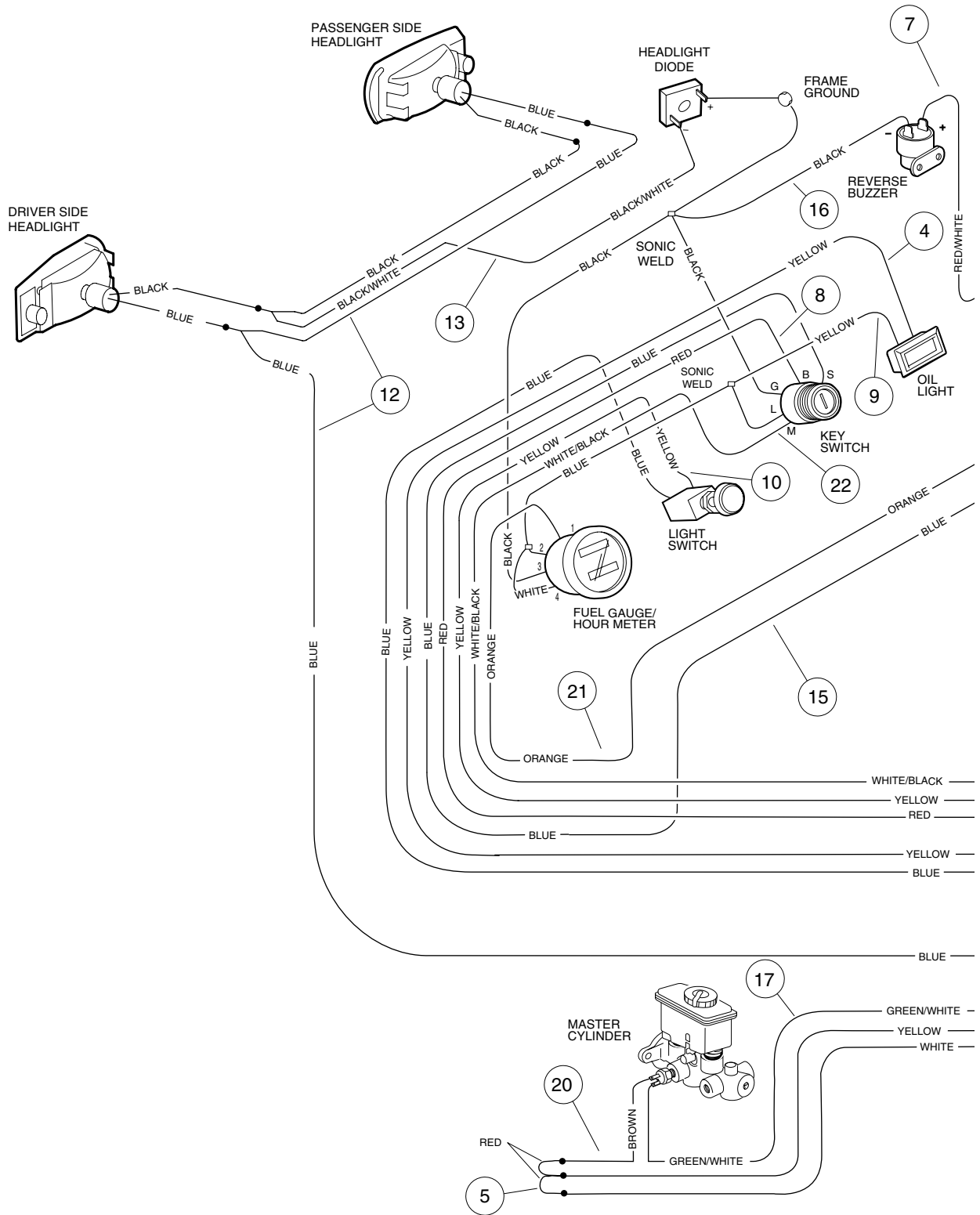
# WIRING – TURF 272, PEDAL-START VEHICLE

ITEM	PART NO.	DESCRIPTION	QTY
		1 2 3 4	
	102032601	Wire Harness Assembly (includes items 1 - 22) .....	1
1	1015769	Wire Assembly, #6 White .....	1
2	N/A	Wire Assembly, #16 Yellow .....	1
3	1016380	Wire Assembly, #6 Black .....	1
4	N/A	Wire Assembly, #18 Green .....	1
5	N/A	Wire Assembly, #18 Yellow .....	1
6	N/A	Wire Assembly, #18 Red/White .....	1
7	N/A	Wire Assembly, #14 Red, #18 Orange .....	1
8	N/A	Wire Assembly, #18 Blue, #18 Yellow .....	1
9	N/A	Wire Assembly, #18 Black, #14 Black .....	1
10	N/A	Wire Assembly, #14 Yellow .....	1
11	N/A	Wire Assembly, #16 Blue, #16 Brown .....	1
12	N/A	Wire Assembly, #16 Black .....	1
13	N/A	Wire Assembly, #18 White .....	1
14	N/A	Wire Assembly, #18 Green/White .....	1
15	N/A	Wire Assembly, #18 White .....	1
16	N/A	Wire Assembly, #18 Yellow .....	1
17	N/A	Wire Assembly, #18 Black, #14 Black .....	1
18	N/A	Wire Assembly, #16 Brown .....	1
19	N/A	Wire Assembly, #18 Orange .....	1
20	N/A	Wire Assembly, #18 Red .....	1
21	N/A	Wire Assembly, #18 White/Black .....	1
22	N/A	Wire Assembly, #18 Black .....	1
23	1014119	Wire Assembly, #6 Red .....	1
24	N/A	Wire Assembly, #18 Black .....	1
25	N/A	Wire Assembly, #18 Black .....	1
26	1012382	Wire Assembly, #6 Black .....	1
27	N/A	Wire Assembly, #18 Orange (part of electrical component box) .....	1
28	1015737	Wire Assembly, #10 Red (part of electrical component box) .....	1
29	1015332	Wire Assembly, #10 Braided Ground .....	1
30	101837301	Wire Assembly, #6 Green .....	1
31	N/A	Wire Assembly, #18 Yellow .....	1
32	N/A	Wire Assembly, #16 Black .....	1

7

G

# CARRYALL 272 KEY-START VEHICLE WIRING





**7**

**G**

See previous two pages for wiring diagram.

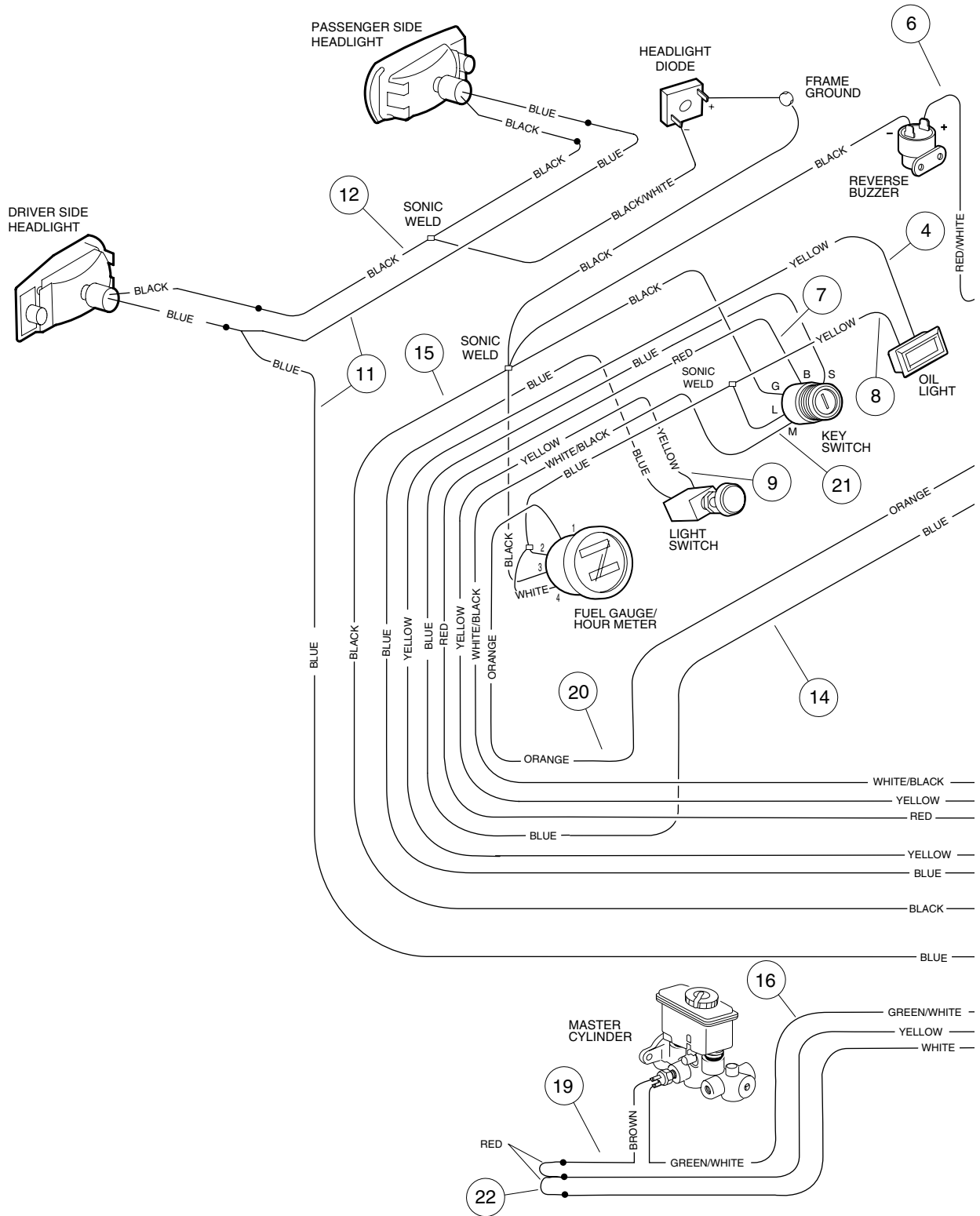


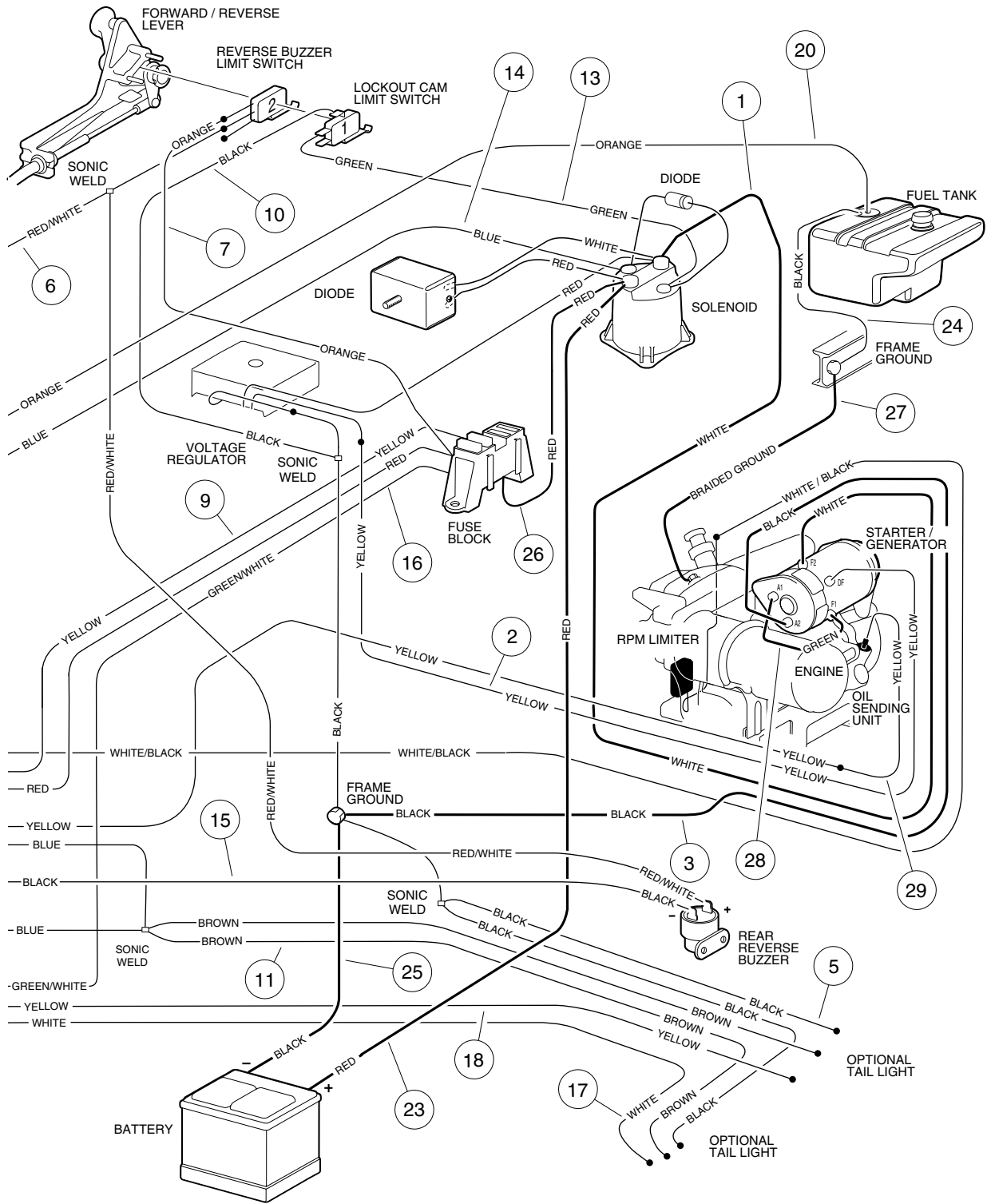
# WIRING – CARRYALL 272, KEY-START VEHICLE

ITEM	PART NO.	DESCRIPTION	QTY
		1 2 3 4	
	102223601	Wire Harness Assembly (includes items 1 - 22) .....	1
1	1015769	Wire Assembly, #6 White .....	1
2	N/A	Wire Assembly, #18 Yellow .....	1
3	1016380	Wire Assembly, #6 Black .....	1
4	N/A	Wire Assembly, #18 Yellow .....	1
5	N/A	Wire Assembly, #18 Red .....	1
6	N/A	Wire Assembly, #18 Black, #16 Black .....	1
7	N/A	Wire Assembly, #18 Red/White .....	1
8	N/A	Wire Assembly, #14 Red, #18 Orange .....	1
9	N/A	Wire Assembly, #18 Yellow, #18 Blue, #18 White .....	1
10	N/A	Wire Assembly, #14 Yellow .....	1
11	N/A	Wire Assembly, #18 Black .....	1
12	N/A	Wire Assembly, #16 Blue, #14 Blue, #18 Brown, #16 Brown .....	1
13	N/A	Wire Assembly, #16 Black, #16 Black/White .....	1
14	N/A	Wire Assembly, #18 Green .....	1
15	N/A	Wire Assembly, #18 Blue .....	1
16	N/A	Wire Assembly, #18 Black, #16 Black .....	1
17	N/A	Wire Assembly, #18 Green/White .....	1
18	N/A	Wire Assembly, #18 White .....	1
19	N/A	Wire Assembly, #18 Yellow .....	1
20	N/A	Wire Assembly, #18 Brown .....	1
21	N/A	Wire Assembly, #18 Orange .....	1
22	N/A	Wire Assembly, #18 White/Black .....	1
23	N/A	Wire Assembly, #18 Yellow .....	1
24	1014119	Wire Assembly, #6 Red .....	1
25	N/A	Wire Assembly, #18 Black .....	1
26	1012382	Wire Assembly, #6 Black .....	1
27	1015737	Wire Assembly, #10 Red (part of electrical component box) .....	1
28	1015332	Wire Assembly, #10 Braided Ground .....	1
29	101837301	Wire Assembly, #6 Green .....	1

**7**  
**G**

# CARRYALL 472 KEY-START VEHICLE WIRING





**7**

**G**

See previous two pages for wiring diagram.

# WIRING – CARRYALL 472, KEY-START VEHICLE

ITEM	PART NO.	DESCRIPTION	QTY
		1 2 3 4	
	102316101	Wire Harness Assembly (includes items 1 - 22) .....	1
1	1015769	Wire Assembly, #6 White .....	1
2	N/A	Wire Assembly, #16 Yellow .....	1
3	1016380	Wire Assembly, #6 Black .....	1
4	N/A	Wire Assembly, #18 Yellow .....	1
5	N/A	Wire Assembly, #18 Black, #16 Black .....	1
6	N/A	Wire Assembly, #18 Red/White .....	1
7	N/A	Wire Assembly, #14 Red, #18 Orange .....	1
8	N/A	Wire Assembly, #18 Blue, #18 Yellow, and #18 White .....	1
9	N/A	Wire Assembly, #14 Yellow .....	1
10	N/A	Wire Assembly, #18 Black .....	1
11	N/A	Wire Assembly, #16 Blue, #16 Brown .....	1
12	N/A	Wire Assembly, #16 Black, #16 Black/White .....	1
13	N/A	Wire Assembly, #18 Green .....	1
14	N/A	Wire Assembly, #18 Blue .....	1
15	N/A	Wire Assembly, #18 Black, #16 Black .....	1
16	N/A	Wire Assembly, #18 Green/White .....	1
17	N/A	Wire Assembly, #18 White .....	1
18	N/A	Wire Assembly, #18 Yellow .....	1
19	N/A	Wire Assembly, #18 Brown .....	1
20	N/A	Wire Assembly, #18 Orange .....	1
21	N/A	Wire Assembly, #18 White/Black .....	1
22	N/A	Wire Assembly, #18 Red .....	1
23	1014119	Wire Assembly, #6 Red .....	1
24	N/A	Wire Assembly, #18 Black .....	1
25	1012382	Wire Assembly, #6 Black .....	1
26	1015737	Wire Assembly, #10 Red (part of electrical component box) .....	1
27	1015332	Wire Assembly, #10 Braided Ground .....	1
28	101837301	Wire Assembly, #6 Green .....	1
29	N/A	Wire Assembly, #18 Yellow .....	1

**7**  
**G**

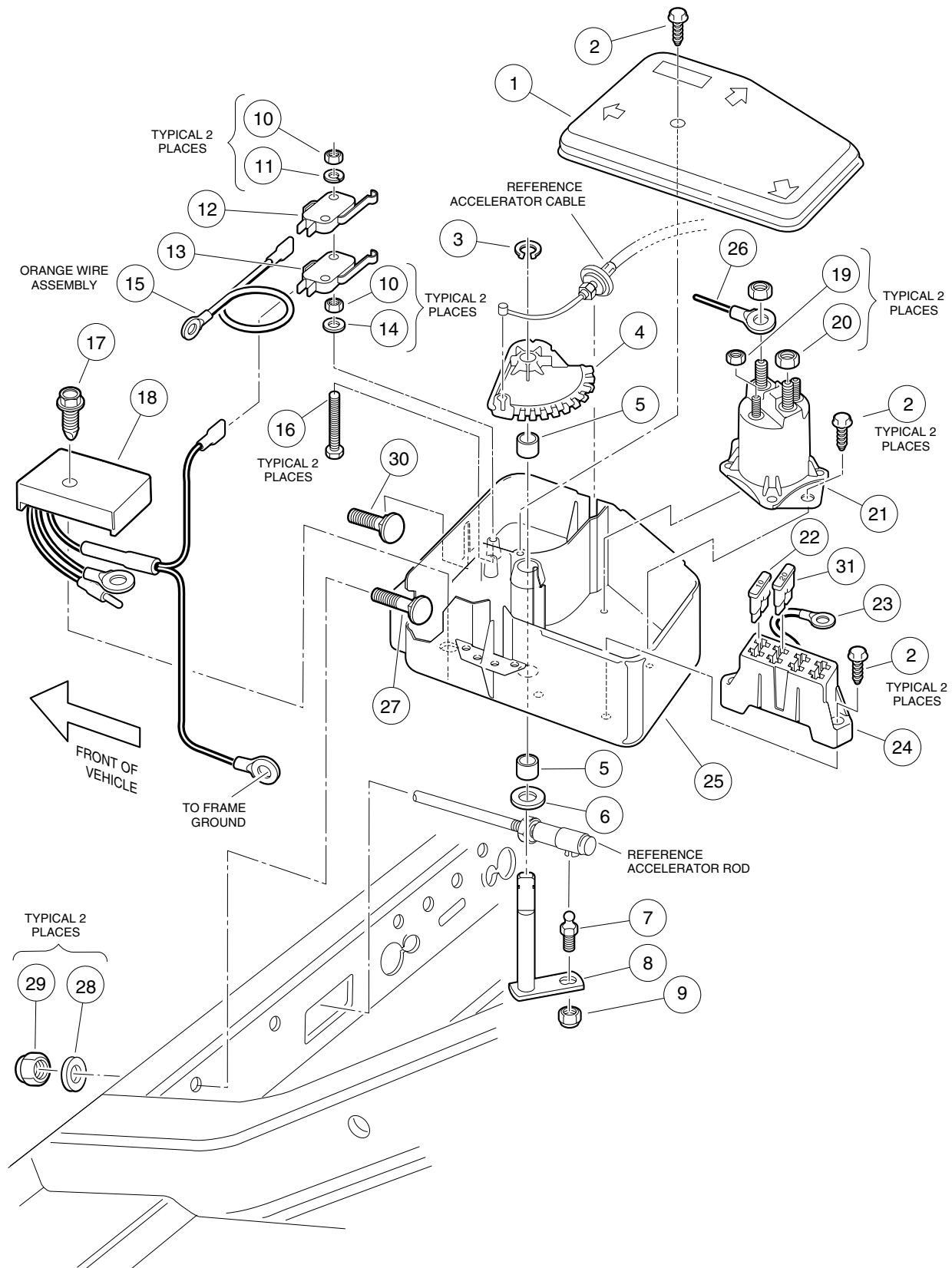


# FORWARD/REVERSE SHIFTER ASSEMBLY

ITEM	PART NO.	DESCRIPTION	QTY
		1 2 3 4	
	1016947	Assembly, Forward/Reverse Shifter (includes items 1 - 17) .....	1
1	1012594	Screw, Machine, #4-40 x 1-1/2 .....	2
2	1016342	Base, Forward/Reverse Shifter .....	1
3	8057	Nut, Hex-Head, #4-40 .....	4
4	1012431	Washer, Flat, #4 .....	4
5	101979101	Switch, Limit .....	1
6	1014727	Washer, Nylon Flat, #4 .....	2
7	1014807	Switch, Limit .....	1
8	8058	Washer, Lock, #4 .....	2
9	1014145	Bushing, Bronze .....	2
10	1014089	Kit, Neutral Lockout Cam (includes item 11) .....	1
11	1014065	Washer, Flat, Delrin .....	1
12	1013590	Spring, Forward/Reverse Cam .....	1
13	1013589	Ring, Retaining .....	1
14	1013587	Weldment, Forward/Reverse Bell Crank .....	1
15	1013591	Pin, Roll, 1/8 .....	1
16	8717	Nut, Nylon Lock, 1/4-28 .....	1
17	1010954	Stud, Ball, 1/4-28 x 1/4 .....	1
18	1015409	Cable, Transmission (includes items 19 and 20) (Turf 272 and Carryall 272) .....	1
18	101672701	Cable, Transmission (includes items 19 and 20) (Carryall 472) .....	1
19	7893	Nut, Hex, #10-32 .....	2
20	1012333	Joint, Ball .....	2
21	1015064	Screw, Phillips Oval Countersunk Machine, SS, #8-32 x 5/8 .....	1
22	1012987	Handle, Forward/Reverse Switch .....	1
23	8248	Screw, Phillips Truss-Head, 1/4-20 x 3/4 .....	4
24	8233	Nut, Nylon Lock, 1/4-20 .....	4
25	1016201	Washer, Wave, 3/8 .....	1
26	102045901	Bracket, Transmission Cable Support .....	1
27	1012285	Screw, Thread-Rolling, 1/4-20 x 5/8 .....	3

**7**  
**G**

**7**  
**G**



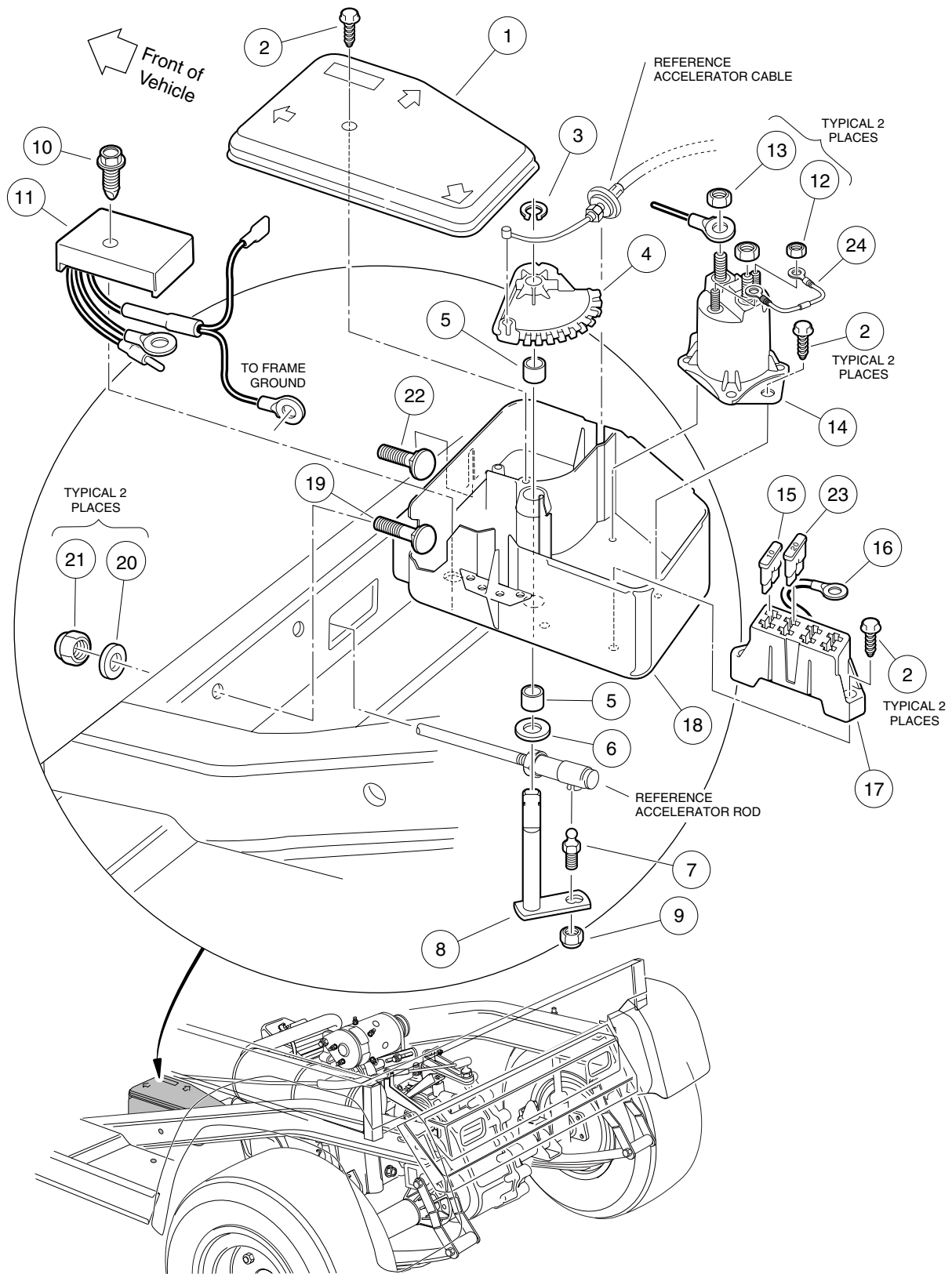


# ELECTRICAL COMPONENT BOX, PEDAL-START VEHICLES

ITEM	PART NO.	DESCRIPTION	QTY
		1 2 3 4	
1	1015372	Cover, Electrical Component Box .....	1
2	1015752	Screw, Hi-lo, #12-16 x 5/8 .....	5
3	1013589	Ring, Retaining .....	1
4	1015373	Cam, Electrical Box .....	1
5	1014145	Bushing, Bronze .....	2
6	1014065	Washer, Flat, Delrin .....	1
7	1010954	Stud, Ball, 1/4-28 .....	1
8	1015345	Assembly, Bell Crank and Shaft .....	1
9	8717	Nut, Nylon Lock, 1/4-28 .....	1
10	8057	Nut, Hex, #4-40 .....	4
11	8058	Washer, Lock, #4 .....	2
12	1014807	Switch, Limit .....	1
13	1014808	Switch, Limit .....	1
14	1012431	Washer, Flat, #4 .....	2
15	N/A	Wire Assembly, #16 Orange .....	1
16	1015878	Screw, Hex-Head Machine, #4-40 x 1-5/8 .....	2
17	101856102	Screw, Hex Washer-Head Hi-Lo, 1/4-15 x 1-1/2 .....	1
18	1015777	Regulator, Voltage .....	1
19	7893	Nut, Hex, #10-32 .....	2
20	1242	Nut, Hex, 5/16-18 .....	2
21	1013609	Solenoid, 12-volt .....	1
22	1012295	Fuse, 10-amp .....	1
23	1015737	Wire Assembly, #10 Red .....	1
24	1015741	Block, Fuse .....	1
25	1015371	Box, Electrical Component .....	1
26	1014119	Wire Assembly, #6 Red .....	1
27	1015405	Bolt, Carriage, 5/16-18 x 2 .....	1
28	1241	Washer, Flat, 5/16 .....	2
29	7473	Nut, Nylon Lock, 5/16-18 .....	2
30	7818	Bolt, Carriage, 5/16-18 x 1-1/2 .....	1
31	1016423	Fuse, 20-amp .....	1

**7**  
**G**

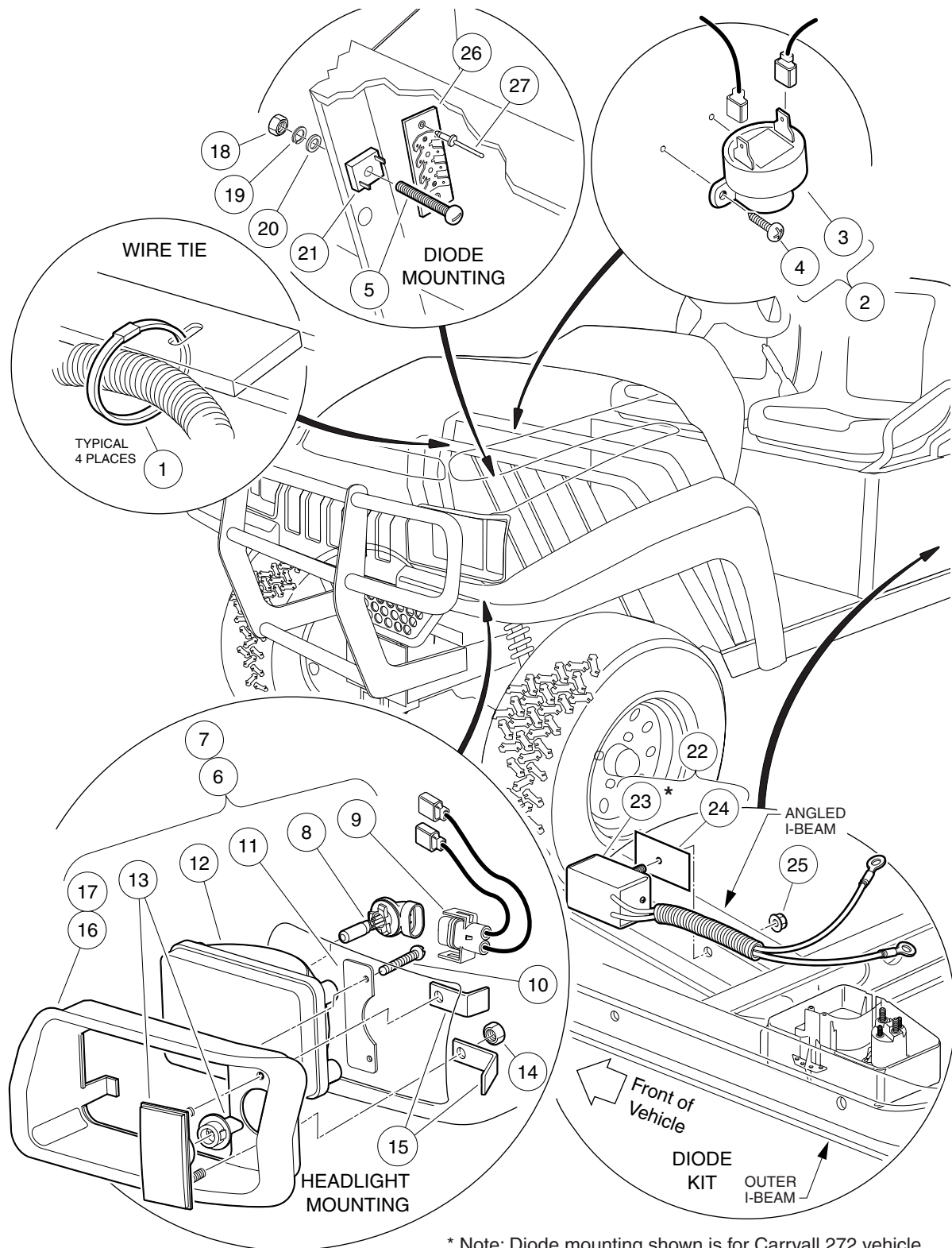
**7**  
**G**



# ELECTRICAL COMPONENT BOX, KEY-START VEHICLES

ITEM	PART NO.	DESCRIPTION	QTY
		1 2 3 4	
1	1015372	Cover, Electrical Component Box .....	1
2	1015752	Screw, Hi-Lo, #12-16 x 5/8 .....	5
3	1013589	Ring, Retaining .....	1
4	1015373	Cam, Electrical Box .....	1
5	1014145	Bushing, Bronze .....	2
6	1014065	Washer, Flat, Delrin .....	1
7	1010954	Stud, Ball, 1/4-28 .....	1
8	1015345	Assembly, Bell Crank and Shaft .....	1
9	8717	Nut, Nylon Lock, 1/4-28 .....	1
10	101856102	Screw, Hex Washer-Head Hi-Lo, 1/4-15 x 1-1/2 .....	1
11	1015777	Regulator, Voltage .....	1
12	7893	Nut, Hex, #10-32 .....	2
13	1242	Nut, Hex, 5/16-18 .....	2
14	1013609	Solenoid, 12-Volt .....	1
15	1012295	Fuse, 10-Amp .....	1
16	1015737	Wire Assembly, #10 Red .....	1
17	1015741	Block, Fuse .....	1
18	1015371	Box, Electrical Component .....	1
19	1015405	Bolt, Carriage, 5/16-18 x 2 .....	1
20	1241	Washer, Flat, 5/16 .....	2
21	7473	Nut, Nylon Lock, 5/16-18 .....	2
22	7818	Bolt, Carriage, 5/16-18 x 1-1/2 .....	1
23	1016423	Fuse, 20-Amp .....	1
24	1014948	Diode, Flyback .....	1

**7**  
**G**



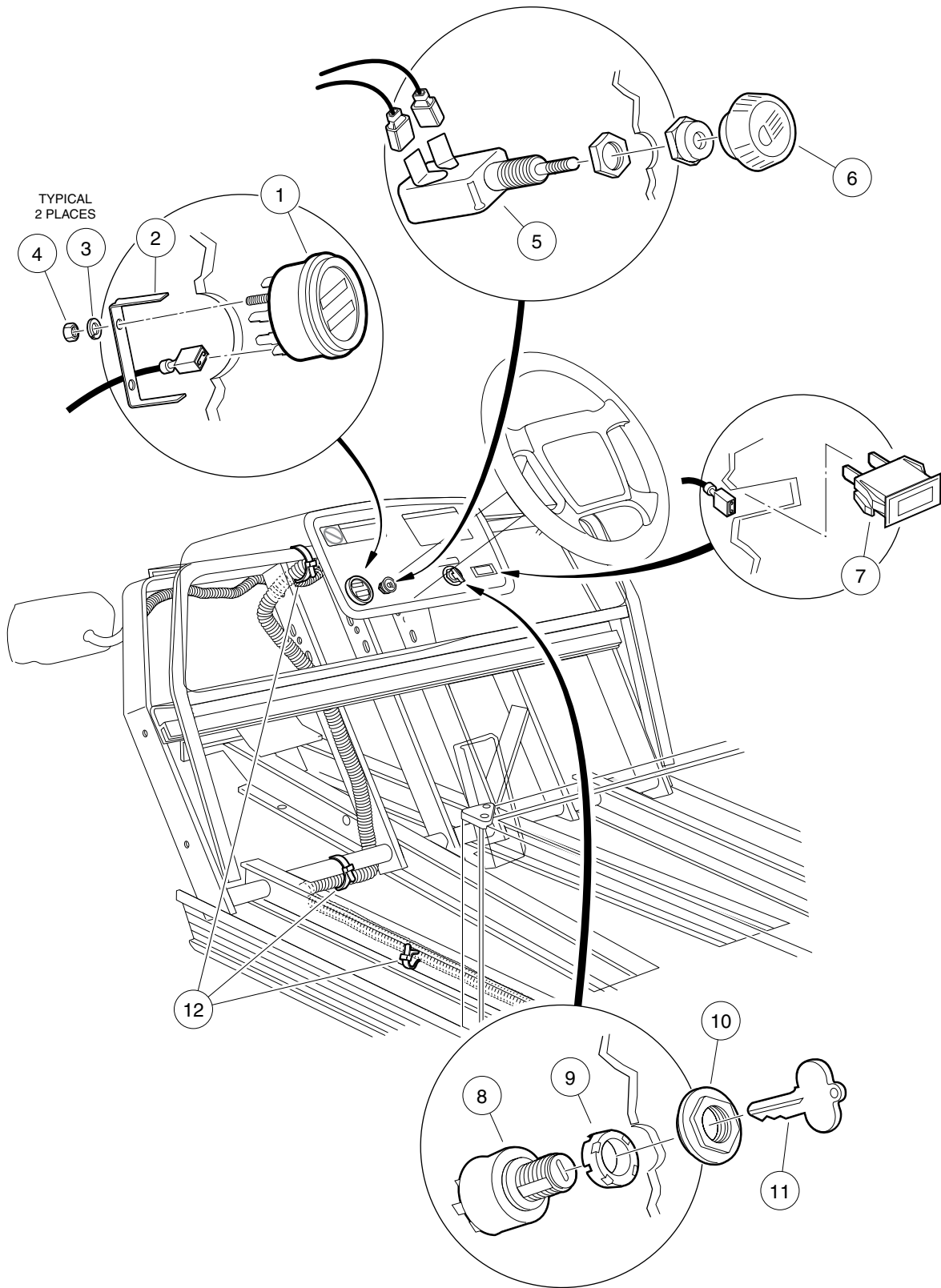
\* Note: Diode mounting shown is for Carryall 272 vehicle. The diode mounts differently on a Carryall 472 vehicle.

# ELECTRICAL COMPONENTS, FRONT BODY

ITEM	PART NO.	DESCRIPTION	QTY
		1 2 3 4	
1	8639	Tie, Wire .....	4
2	1016859	Kit, Reverse Buzzer (includes items 3 and 4) .....	1
3	1016851	Buzzer, Reverse .....	1
4	1016849	Screw, Pan-Head Hi-Lo, #4-24 x 5/16 .....	2
5	1010909	Screw, Machine Head, #10-32 x 1-1/4 .....	1
6	101988001	Assembly, Headlight, Driver-Side (includes items 8 - 16) .....	1
7	101988002	Assembly, Headlight, Passenger-Side (includes items 8 - 15 and 17) .....	1
8	101988101	Bulb, Halogen .....	1
9	101987901	Harness, Headlight Wire .....	1
10	1013461	Screw, Hi-Lo, #10-16 .....	2
11	1017065	Retainer, Headlight .....	1
12	101988201	Lens, Headlight .....	1
13	1017062	Assembly, Turn Signal Lens .....	1
14	7893	Nut, Hex, #10-32 .....	2
15	1017064	Bracket, Mounting .....	2
16	1016880	Bezel, Headlight, Driver-Side .....	1
17	1016879	Bezel, Headlight, Passenger-Side .....	1
18	7893	Nut, Hex, #10-32 .....	1
19	1016	Washer, Lock, #10 .....	1
20	183	Washer, Flat, Type A, #10 .....	1
21	1017721	Diode (key-start vehicles only) .....	1
22	102272501	Kit, Diode (includes items 23 - 25) (key-start vehicles only) .....	1
23	102264001	Assembly, Diode (key-start vehicles only) .....	1
24	102269701	Pad, Thermal (key-start vehicles only) .....	1
25	101963401	Nut, Hex Flanged Lock (key-start vehicles only) .....	1
26	1016356	Block, Terminal (pedal-start vehicles only) .....	1
27	1013357	Rivet, Pop, Aluminum 5/32 (pedal-start vehicles only) .....	2

7  
G

**7**  
**G**

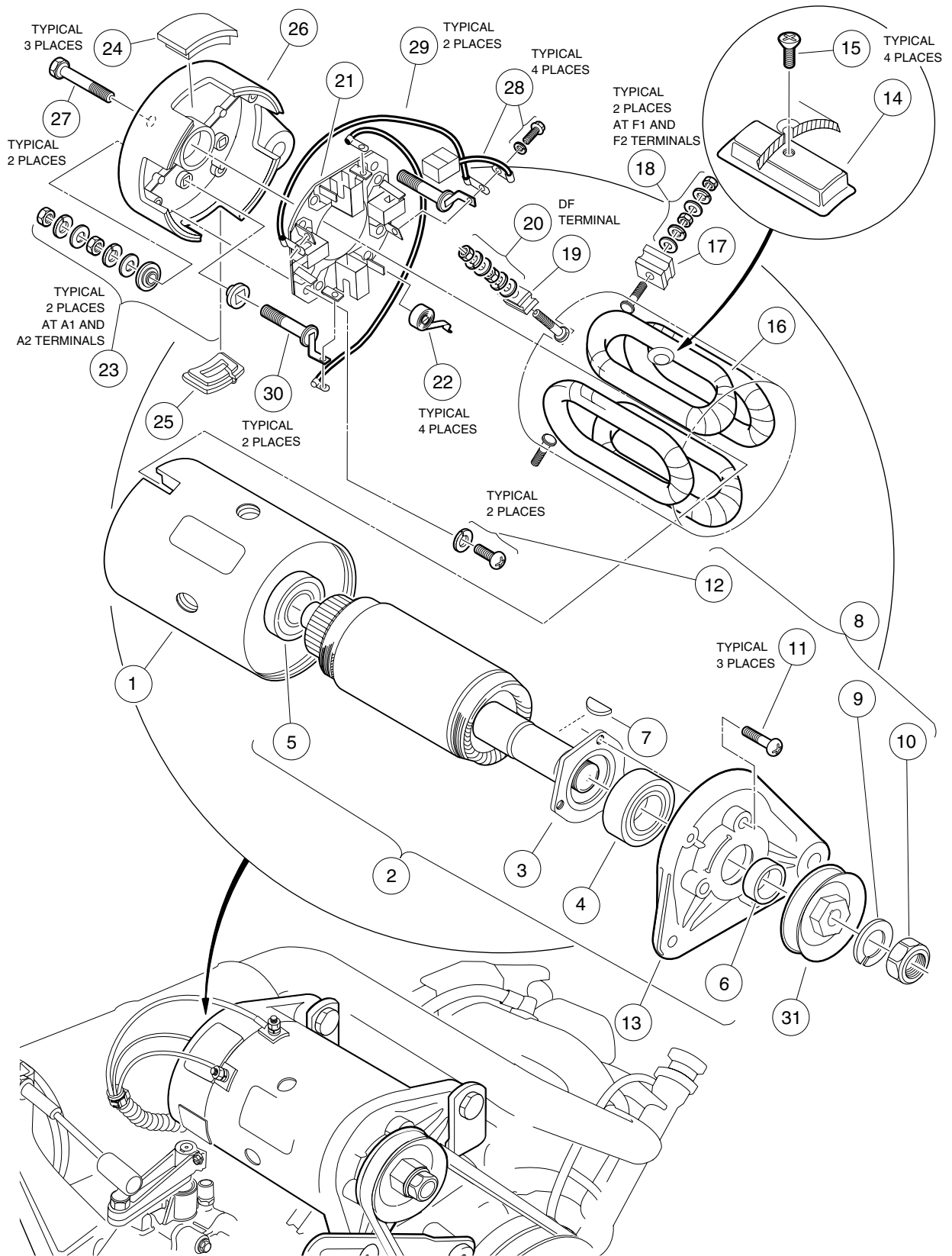


# ELECTRICAL COMPONENTS, DASH PANEL

ITEM	PART NO.	DESCRIPTION	QTY
		1 2 3 4	
1	101990701	Fuel Gauge/Hour Meter (includes item 2) .....	1
2	N/A	Bracket .....	1
3	1012986	Washer, Lock, M4 .....	2
4	101991101	Nut, M4 x 0.7 .....	2
5	102051901	Switch, Light .....	1
6	1013857	Knob, Light Switch .....	1
7	1016630	Light, Low Oil Warning .....	1
8	102044701	Switch, Key (pedal-start vehicles only) .....	1
8	102044702	Switch, Key (key-start vehicles only) .....	1
9	102051601	Spacer, Key Switch .....	1
10	102051701	Nut, Key Switch .....	1
11	102044801	Key (pair) .....	1
12	8990	Tie, Wire .....	3

7

G



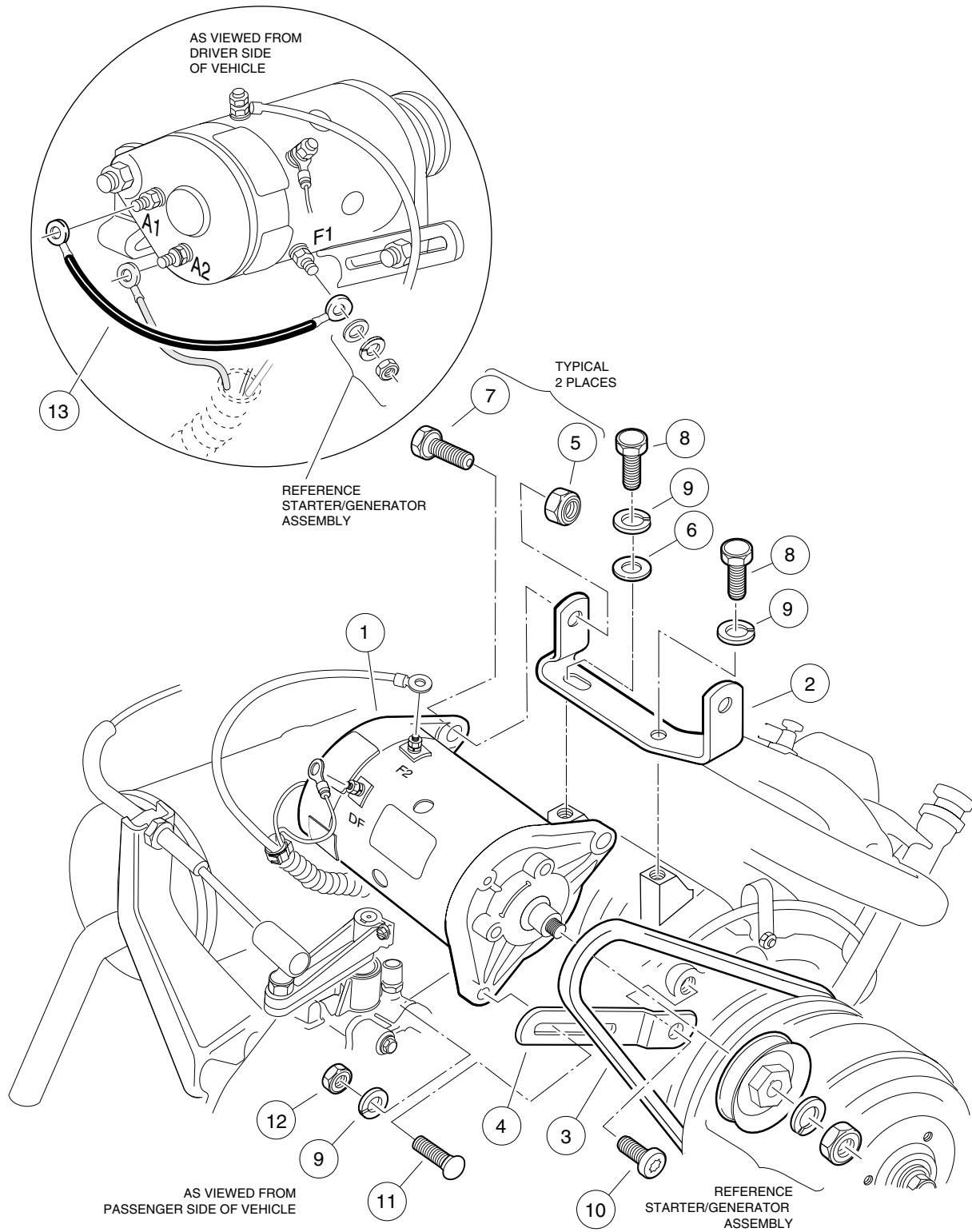


# STARTER/GENERATOR ASSEMBLY

ITEM	PART NO.	DESCRIPTION	QTY
		1 2 3 4	
	101833701	Starter/Generator (clockwise rotation) (includes items 1 - 30) .....	1
1	101875201	Housing, Field Coil .....	1
2	101875101	Assembly, Armature (includes items 3 - 6) .....	1
3	101875001	Retainer, Bearing .....	1
4	1013001	Ball Bearing, Output Shaft .....	1
5	1013005	Commutator, Ball Bearing .....	1
6	101939901	Spacer, 5/16 .....	1
7	1013003	Key, Woodruff .....	1
8	101876501	Kit, Pulley Nut and Screw (includes items 9 - 12) .....	1
9	N/A	Washer, Lock, M14 .....	1
10	N/A	Nut, Hex, M14 x 2 .....	1
11	N/A	Screw, Cross-Recessed, M5 x 0.8 x 18 mm .....	3
12	101896501	Screw, Cross-Recessed, M5 x 0.8 x 16 mm (with lock washer) .....	2
13	101874901	End Bell, Output Shaft .....	1
14	101875301	Set, Pole (set of 4) .....	1
15	101875401	Screw, Pole Piece (set of 4) .....	1
16	101875501	Coil, Field .....	1
17	101875601	Insulator, F Terminal .....	2
18	101877601	Package, Terminal Hardware (F1 and F2) .....	2
19	101875701	Insulator, DF Terminal .....	1
20	101877701	Package, Terminal Hardware (DF) .....	1
21	101301102	Holder, Brush (includes item 22) .....	1
22	101878101	Spring, Brush .....	4
23	101876001	Package, Terminal Hardware (A1 and A2) .....	2
24	101876301	Cover, Brush Inspection Port (set of 4) (includes item 25) .....	1
25	1017653	Cover, Brush Inspection Port, with Drain .....	1
26	101876402	End Bell, Commutator .....	1
27	101879001	Bolt, Clamp, M6 x 1 x 180 mm .....	2
28	101869302	Package, Brush (includes 4 brushes, 4 screws, 4 washers) .....	1
29	101876202	Connector, Brush .....	2
30	101875802	A Connector (set of 2) .....	1
31	1014289	Pulley .....	1

**7**  
**G**

**7**  
**G**

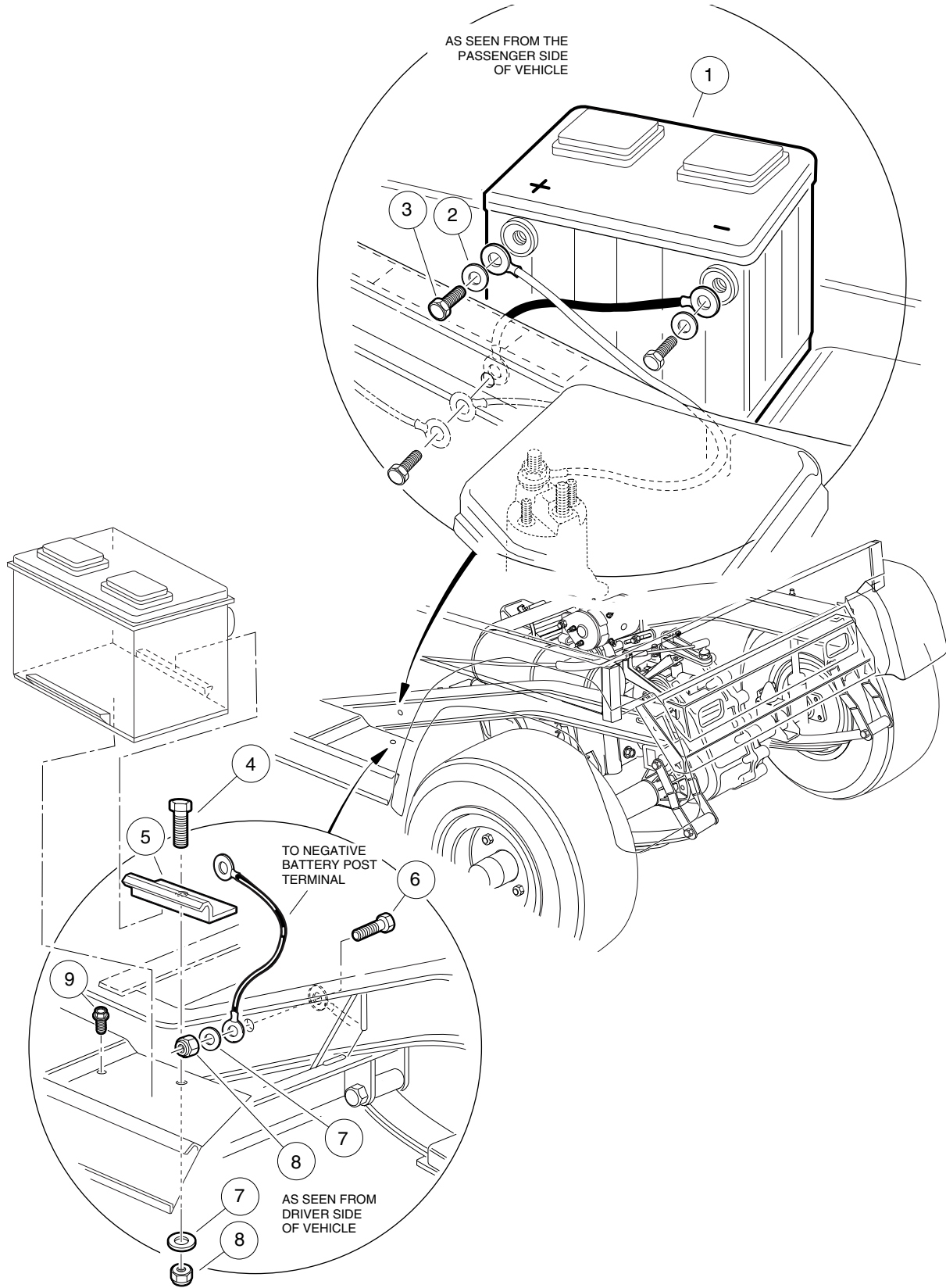


# STARTER/GENERATOR MOUNTING

ITEM	PART NO.	DESCRIPTION	QTY
		1 2 3 4	
1	101833701	Starter/Generator (clockwise rotation) .....	1
2	101524002	Bracket, Mounting, FE350 and FE400 .....	1
3	101916701	Belt, Starter/Generator .....	1
4	1016883	Bracket, Adjusting .....	1
5	8754	Nut, Nylon Lock, 3/8-16 .....	2
6	1241	Washer, Flat, Type A, 5/16 (stainless steel 1015075) .....	1
7	705	Screw, Hex-Head Cap, 3/8-16 x 1-1/4 .....	2
8	1012830	Screw, Hex-Head Cap, M8 x 1.25 x 22 mm .....	2
9	7174	Washer, Lock, 5/16 .....	3
10	1016074	Screw, Torx-Head, M8 x 1.25 x 18 mm .....	1
11	1015932	Bolt, Carriage, 5/16-18 x 1 .....	1
12	1242	Nut, Hex, 5/16-18 .....	1
13	101837301	Wire Assembly, #6 Green .....	1

**7**  
**G**

**7**  
**G**



# BATTERY

ITEM	PART NO.	DESCRIPTION	QTY
		1 2 3 4	
1	1012328	Battery, 12-Volt .....	1
2	102355301	Washer, Lock, SS, 3/8 .....	2
3	1014375	Screw, Hex-Head Cap, Stainless Steel, 3/8-16 x 1/2 .....	2
4	1010934	Screw, Hex-Head Cap, 5/16-18 x 1 .....	1
5	101898001	Clamp, Battery .....	1
6	7173	Screw, Hex-Head Cap, 5/16-18 x 3/4 .....	1
7	1241	Washer, Flat, 5/16 .....	2
8	7473	Nut, Nylon Lock, 5/16-18 .....	2
9	1014288	Screw, Thread-Forming, 5/16-18 x 3/4 .....	1

**7**  
**G**

**7**

**G**

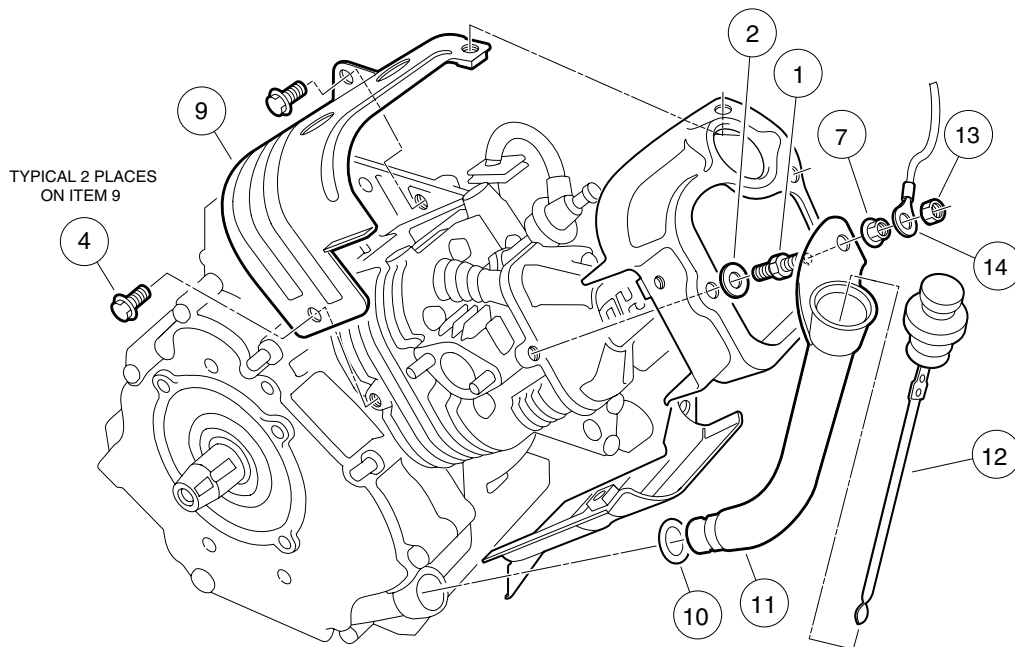
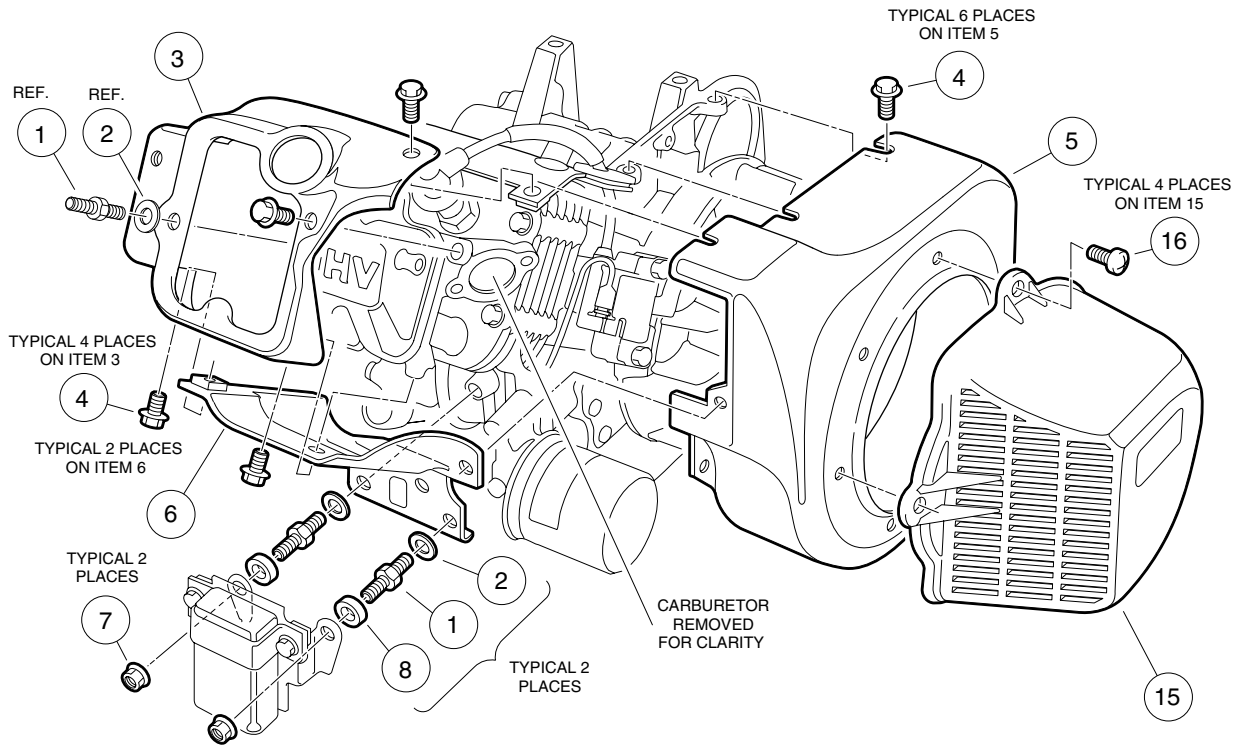
# ENGINE

---

8

G

# FE350 ENGINE



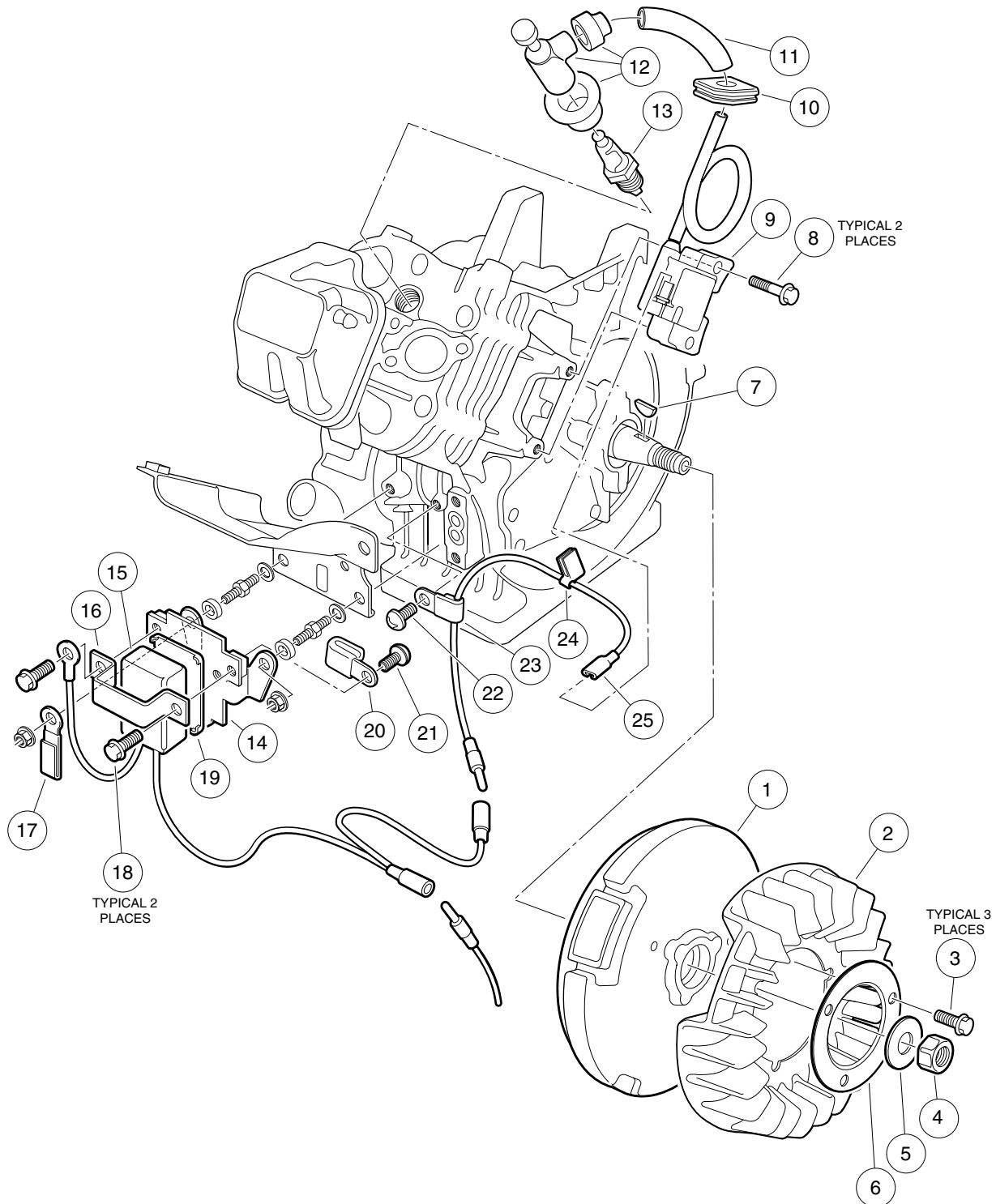


# FE350 ENGINE (PEDAL-START) – SHROUDS AND BRACKETS

ITEM	PART NO.	DESCRIPTION	QTY
		1 2 3 4	
	101953802	FE350 OHV Gasoline Engine, Complete (clockwise rotation) without automatic compression release (w/o ACR) and with Carburetor (does not include items 13 - 16) .....	1
1	1016507	Bolt, 2-Ended, M6 x 1 x 29 mm .....	3
2	N/A	Washer, Flat, 6 mm .....	3
3	1017474	Shroud, Cylinder Head .....	1
4	1016456	Bolt, Flanged, M6 x 1 x 12 mm .....	14
5	101916101	Housing, Fan .....	1
6	1017476	Shroud, Lower Cylinder .....	1
7	1016547	Nut, Flanged, M6 x 1 .....	3
8	1017500	Spacer .....	2
9	1017475	Shroud, Upper Cylinder .....	1
10	1016539	O-Ring .....	1
11	1017486	Tube, Oil Filler .....	1
12	1016531	Dipstick .....	1
13	101887601	Nut, Nylon Lock, M6 x 1 .....	1
14	1015332	Wire Assembly, #10 Braided Ground .....	1
15	1015649	Shroud, Fan .....	1
16	1015969	Screw, Pan-Head, M6 x 1 x 14 mm .....	4

**8**  
**G**

## FE350 ENGINE

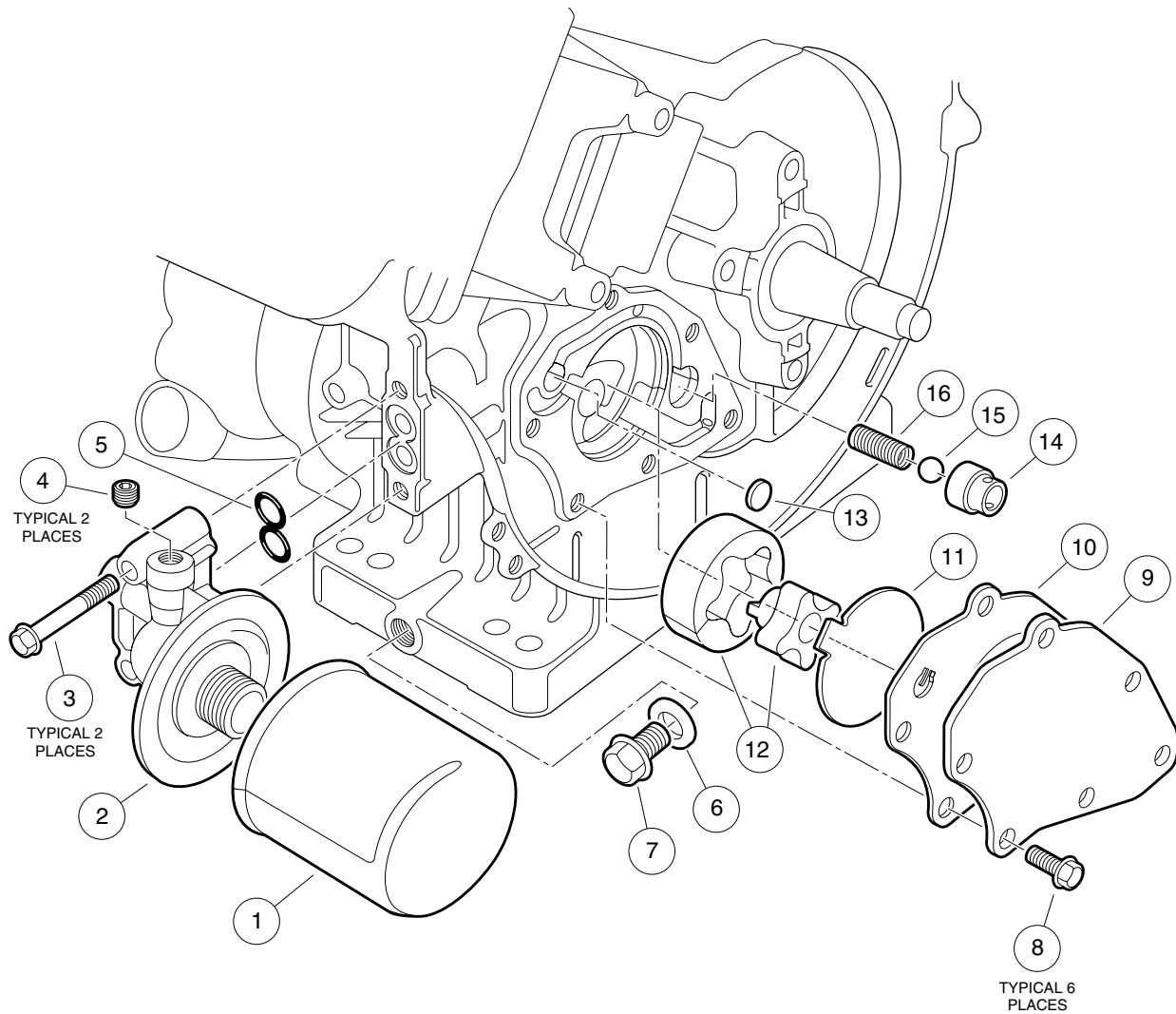


# FE350 ENGINE (PEDAL-START) – IGNITION COMPONENTS AND FLYWHEEL

ITEM	PART NO.	DESCRIPTION	QTY
		1 2 3 4	
1	101916201	Flywheel .....	1
2	101916301	Fan, Flywheel – Gray .....	1
3	1017448	Screw, Flanged Hex-Head, M6 x 1 x 10 mm .....	3
4	N/A	Nut, Hex, Fine, 18 mm .....	1
5	1017490	Washer, Flat, 18 mm .....	1
6	1017455	Plate, Flywheel Fan .....	1
7	1016562	Key .....	1
8	1016455	Screw, Hex-Head Flanged, M5 x 0.8 x 25 mm .....	2
9	101909201	Coil, Ignition (with internal igniter) .....	1
10	1016578	Grommet .....	1
11	1016588	Tube, 7 mm I.D. x 10 mm O.D. x 70 mm Long .....	1
12	1017463	Assembly, Plug Cap .....	1
13	101881101	Plug, Spark, OHV (Autolite®) .....	1
13	AM10724	Plug, Spark, OHV (NGK®) .....	1
14	1016445	Bracket, RPM Limiter .....	1
15	101909401	Limiter, RPM .....	1
16	1016579	Band, RPM Limiter Mount .....	1
17	1012981	Clamp .....	1
18	1016456	Screw, Flanged Hex-Head, M6 x 1 x 12 mm .....	2
19	1016586	Damper .....	1
20	101909501	Clamp .....	1
21	1016497	Screw, Cross Pan-Head, M5 x 0.8 x 8 mm .....	1
22	1016544	Screw, Cross Pan-Head Self-Tapping, M5 x 12 mm .....	1
23	1016561	Clamp .....	1
24	1016587	Clamp .....	1
25	101909301	Wire, Lead .....	1

**8**  
**G**

## FE350 ENGINE

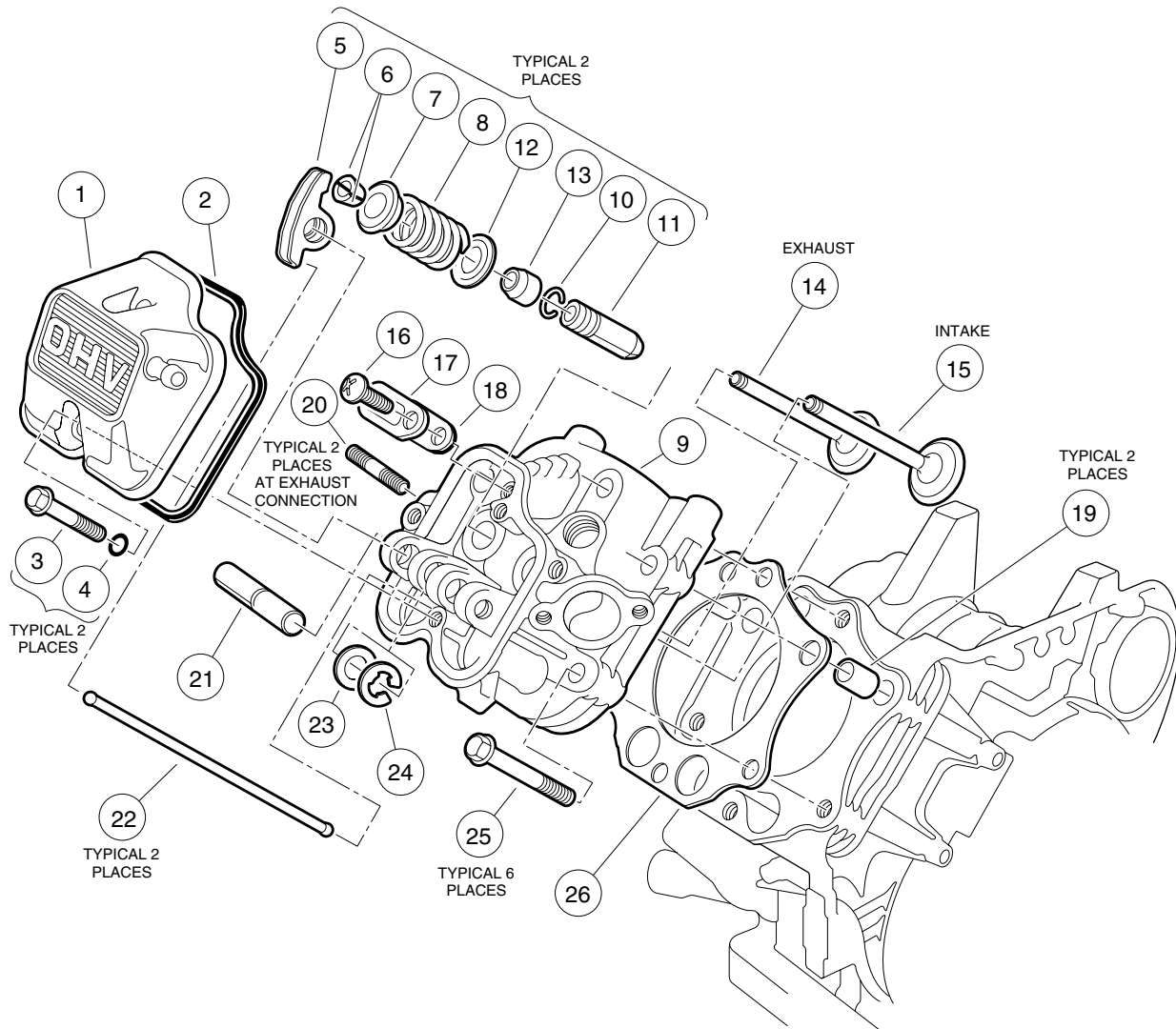


# FE350 ENGINE (PEDAL-START) – OIL CIRCULATION

ITEM	PART NO.	DESCRIPTION	QTY
		1 2 3 4	
1	1016467	Oil Filter .....	1
2	1016502	Bracket, Oil Filter .....	1
3	1016457	Bolt, Flanged Hex-Head, M6 x 1 x 40 mm .....	2
4	1017507	Plug .....	2
5	1016570	O-Ring, Oil Filter Mount .....	1
6	1016432	Gasket, Drain Plug .....	1
7	1016576	Plug, Drain .....	1
8	1017456	Screw, Flanged Hex-Head, M6 x 1 x 12 mm .....	6
9	1017460	Cover, Pump .....	1
10	1017442	Gasket, Oil Pump .....	1
11	1016473	Plate, Oil Pump .....	1
12	101648203	Pump, Oil and Rotor .....	1
13	1017458	Filter .....	1
14	1016429	Seat, Valve .....	1
15	1016537	Ball, Steel Pressure Relief .....	1
16	1016581	Spring .....	1

**8**  
**G**

## FE350 ENGINE

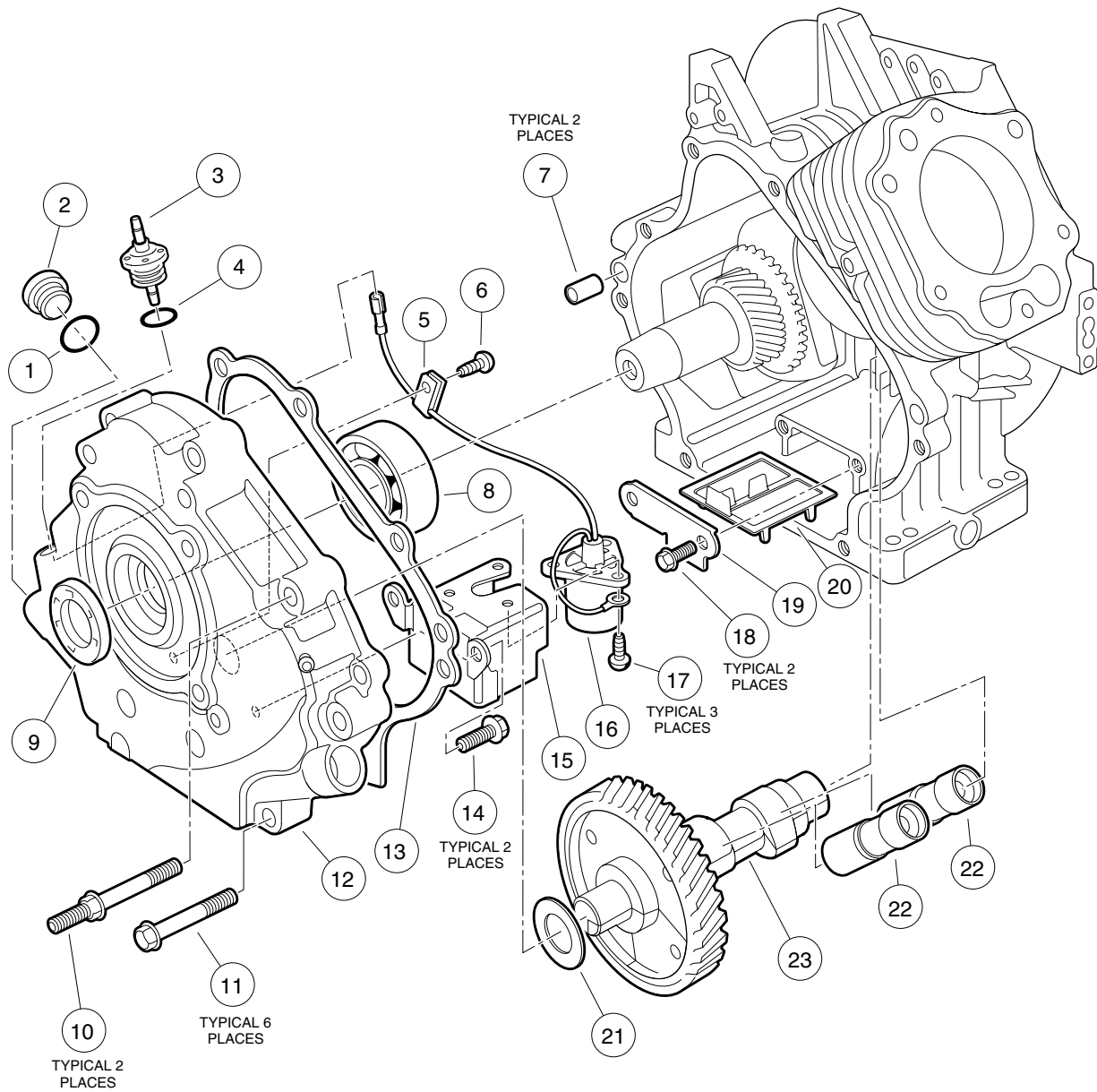


# FE350 ENGINE (PEDAL-START) – CYLINDER HEAD

ITEM	PART NO.	DESCRIPTION	QTY
		1 2 3 4	
1	1016442	Case, Rocker .....	1
2	1016436	Gasket, Rocker Case .....	1
3	1016583	Bolt, Flanged, M6 x 1 x 35 mm .....	2
4	1016569	O-Ring .....	2
5	1017446	Arm, Rocker .....	2
6	1016450	Collet .....	4
7	1016449	Retainer, Valve Spring .....	2
8	1017473	Spring, Engine Valve .....	2
9	1017435	Assembly, Cylinder Head, FE350 (includes items 10 and 11) .....	1
10	1016560	Ring, Snap .....	2
11	1016519	Guide, Valve .....	2
12	1016479	Seat, Spring .....	2
13	1016566	Seal, Valve .....	2
14	1017445	Valve, Exhaust .....	1
15	1017444	Valve, Intake .....	1
16	1016544	Screw, Cross Pan-Head Self-Tapping, M5 x 0.8 x 12 mm .....	1
17	1016474	Plate .....	1
18	1016483	Valve .....	1
19	1016563	Pin, Hollow .....	2
20	1016489	Bolt, Stud, M8 x 1.25 x 29 mm .....	2
21	1016452	Shaft, Rocker .....	1
22	1017454	Rod, Push .....	2
23	1016549	Washer, Flat, M12 .....	1
24	1016517	Circlip, Type-E .....	1
25	1016458	Bolt, Flanged, M8 x 1.25 x 45 mm .....	6
26	1017434	Gasket, Head .....	1
27	102304801	Kit, Gasket, FE350 (contains one each of all internal gaskets for FE350 engine) (not shown) .....	1

**8**  
**G**

# FE350 ENGINE



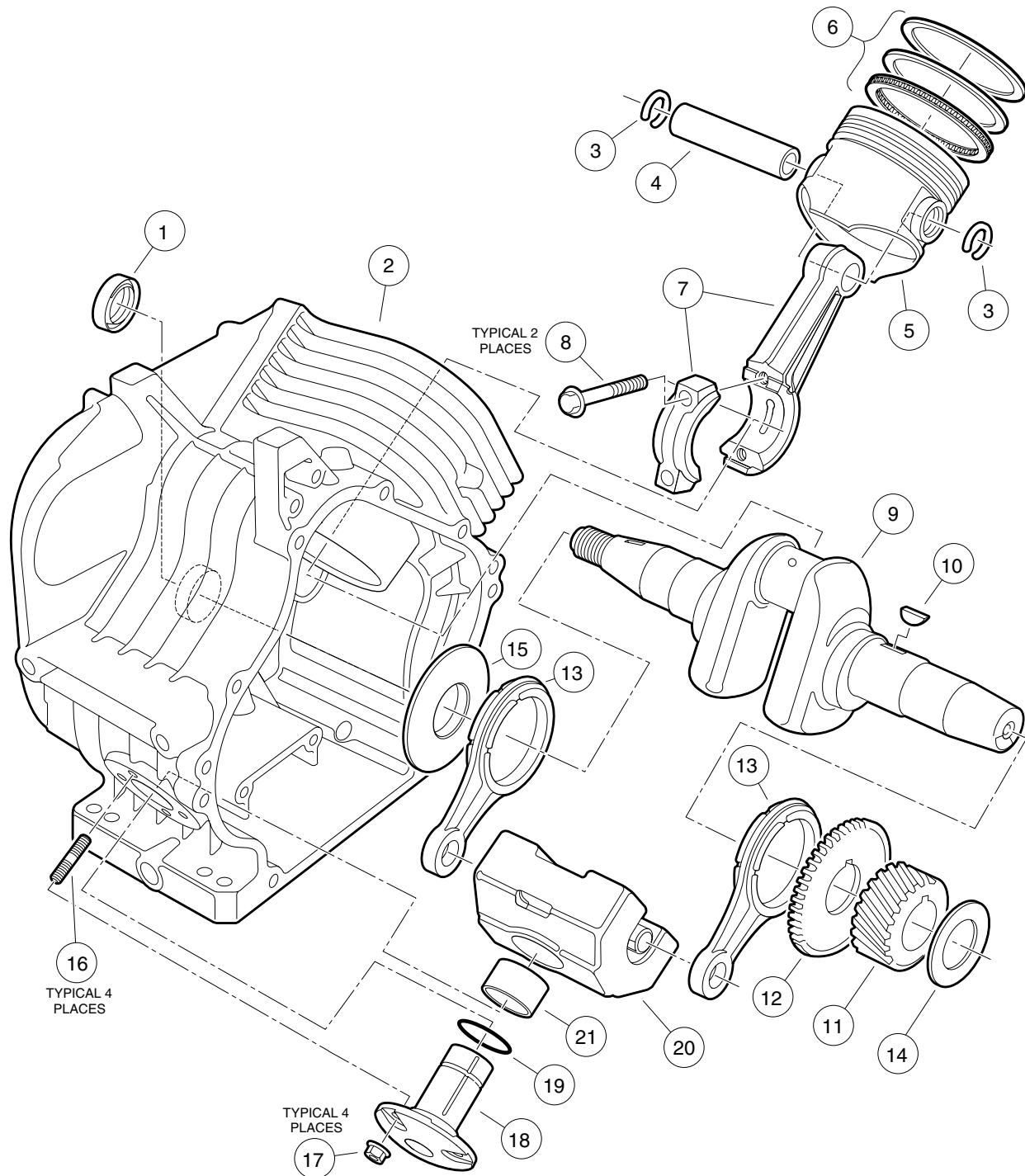


## FE350 ENGINE (PEDAL-START) – CRANKCASE, CAMSHAFT AND OIL SENSOR

ITEM	PART NO.	DESCRIPTION	QTY
		1 2 3 4	
1	1016538	O-Ring .....	1
2	1017508	Plug .....	1
3	1016535	Connector, Oil Sending Unit .....	1
4	1016538	O-Ring .....	1
5	1016506	Clamp .....	1
6	1016544	Screw, Cross Pan-Head Self-Tapping, M5 x 0.8 x 12 mm .....	1
7	1016564	Pin, Hollow .....	2
8	1017487	Bearing, Crankshaft .....	1
9	1017504	Seal, Crankshaft .....	1
10	1016584	Bolt, 2-Ended Flanged, M8 x 1.25 x 69 mm .....	2
11	1017514	Bolt, Flanged, M8 x 1.25 x 45 mm .....	6
12	1017472	Cover, Crankcase .....	1
13	1017443	Gasket, Crankcase Cover .....	1
14	1017513	Bolt, Flanged, M6 x 1 x 12 mm .....	2
15	1016510	Bracket, Oil Level Switch .....	1
16	1016494	Sensor, Oil Level .....	1
17	1016496	Screw, Cross Pan-Head, M4 x 0.7 x 8 mm .....	3
18	1016454	Bolt, Flanged, M5 x 0.8 x 8 mm .....	2
19	1016472	Plate, Oil Filter Screen .....	1
20	1016521	Screen, Oil Filter .....	1
21	101751801	Shim, 0.3 mm Thick .....	A/R
21	101751802	Shim, 0.4 mm Thick .....	A/R
21	101751803	Shim, 0.5 mm Thick .....	A/R
22	1017447	Lifter, Hydraulic .....	2
23	102431001	Camshaft, FE350 (without automatic compression release) (for engines with serial numbers 094171 and greater) .....	1
	101947601	Camshaft, FE350 (without automatic compression release) (for engines with serial numbers prior to 094171).....	1
24	102304801	Kit, Gasket, FE350 (contains one each of all internal gaskets for FE350 engine) (not shown) .....	1

**8**  
**G**

## FE350 ENGINE

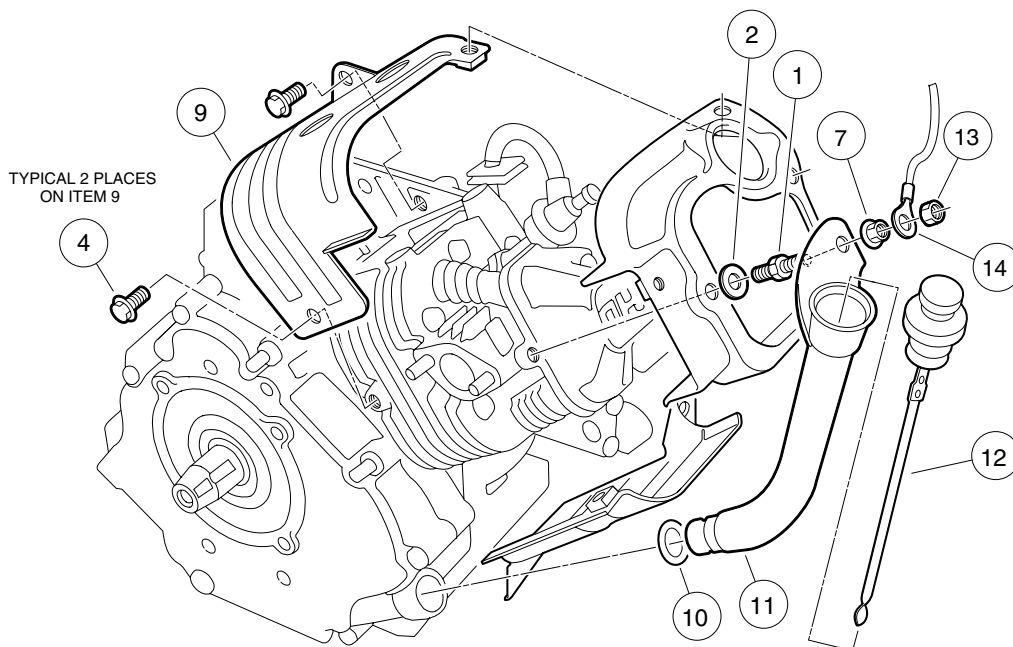
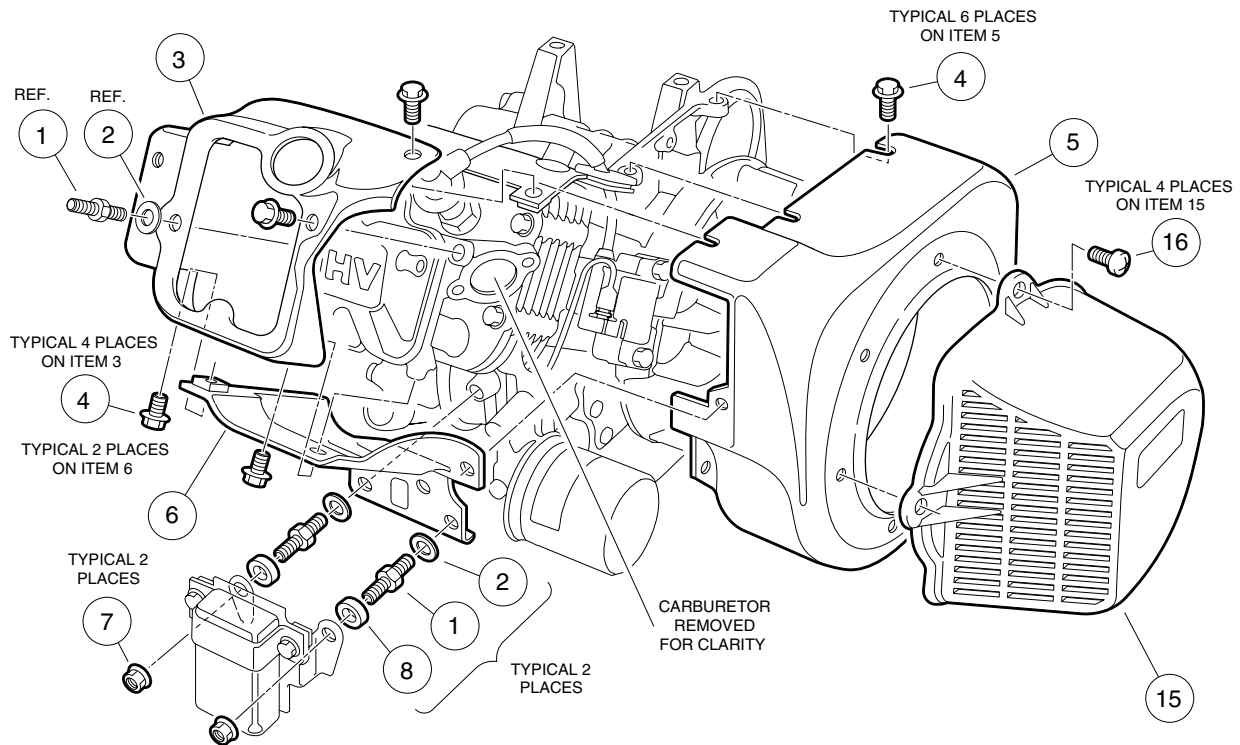


# FE350 ENGINE (PEDAL-START) – CRANKCASE AND CRANKSHAFT

ITEM	PART NO.	DESCRIPTION	QTY
		1 2 3 4	
1	1017503	Seal, Oil .....	1
2	101916001	Crankcase, FE350 (clockwise rotation) .....	1
3	1017502	Ring, Snap .....	2
4	1017450	Pin, Piston .....	1
5	101744901	Piston, Standard .....	1
5	101744902	Piston, .50 mm Oversized .....	1
6	101745101	Ring Set, Piston, Standard .....	1
6	101745102	Ring Set, Piston, .50 mm Oversized .....	1
7	101745701	Assembly, Connecting Rod, Standard (includes 2 each of item 8) .....	1
7	101745702	Assembly, Connecting Rod, .50 mm Undersized (includes 2 each of item 8) .....	1
8	102272201	Bolt, Hex-Head, M8 x 1.25 x 42 mm .....	2
9	101922302	Crankshaft, FE350 (left-hand threads) (for engines with serial numbers lower than 094171) (includes items 10 - 12 and one each of item 13) .....	1
	102430901	Crankshaft, FE350 (left-hand threads) (for engines with serial numbers 094171 and greater) (includes helical and spur gear (not sold individually) and one each of items 10 and 13) .....	1
10	1016562	Key .....	1
11	1017484	Gear, Helical .....	1
12	1017483	Gear, Spur .....	1
13	1017471	Rod, Connecting .....	2
14	101773301	Shim, Crankshaft, 1.18 mm Thick .....	A/R
14	101773302	Shim, Crankshaft, 1.25 mm Thick .....	A/R
14	101773303	Shim, Crankshaft, 1.32 mm Thick .....	A/R
14	101773304	Shim, Crankshaft, 1.39 mm Thick .....	A/R
14	101773305	Shim, Crankshaft, 1.46 mm Thick .....	A/R
14	101773306	Shim, Crankshaft, 1.53 mm Thick .....	A/R
14	101773307	Shim, Crankshaft, 1.60 mm Thick .....	A/R
14	101773308	Shim, Crankshaft, 1.67 mm Thick .....	A/R
14	101773309	Shim, Crankshaft, 1.74 mm Thick .....	A/R
14	101773310	Shim, Crankshaft, 1.11 mm Thick .....	A/R
14	101773311	Shim, Crankshaft, 1.81 mm Thick .....	A/R
15	1017501	Spacer .....	1
16	1016541	Bolt, Stud, M6 x 1 x 22 mm .....	4
17	1016547	Nut, Flanged, M6 x 1 .....	4
18	1016470	Shaft, Guide Counterbalance .....	1
19	1016571	O-Ring .....	1
20	1017453	Weight, Counterbalance (includes item 21) .....	1
21	1017510	Bearing .....	1

**8**  
**G**

## FE400 ENGINE

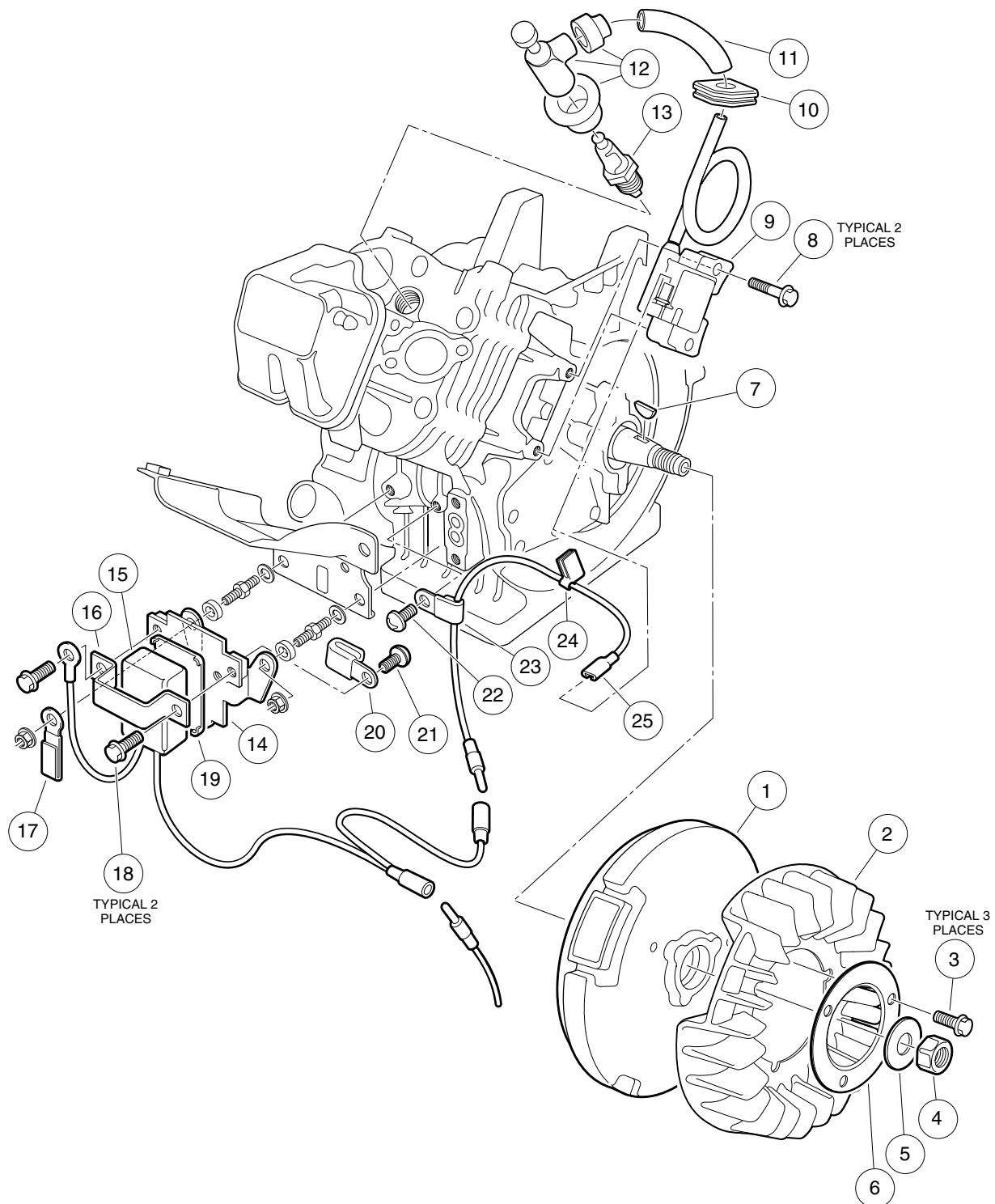


# FE400 ENGINE (KEY-START) – SHROUDS AND BRACKETS

ITEM	PART NO.	DESCRIPTION	QTY
		1 2 3 4	
	102258701	FE400 OHV Gasoline Engine, Complete (clockwise rotation) with automatic compression release (ACR) and Carburetor (does not include items 13 - 16) .....	1
1	1016507	Bolt, 2-Ended, M6 x 1 x 29 mm .....	3
2	N/A	Washer, Flat, 6 mm .....	3
3	1017474	Shroud, Cylinder Head .....	1
4	1016456	Bolt, Flanged, M6 x 1 x 12 mm .....	14
5	102272001	Housing, Fan .....	1
6	1017476	Shroud, Lower Cylinder .....	1
7	1016547	Nut, Flanged, M6 x 1 .....	3
8	1017500	Spacer .....	2
9	1017475	Shroud, Upper Cylinder .....	1
10	1016539	O-Ring .....	1
11	1017486	Tube, Oil Filler .....	1
12	1016531	Dipstick .....	1
13	101887601	Nut, Nylon Lock, M6 x 1 .....	1
14	1015332	Wire Assembly, #10 Braided Ground .....	1
15	1015649	Shroud, Fan .....	1
16	1015969	Screw, Pan-Head, M6 x 1 x 14 mm .....	4

**8**  
**G**

## FE400 ENGINE

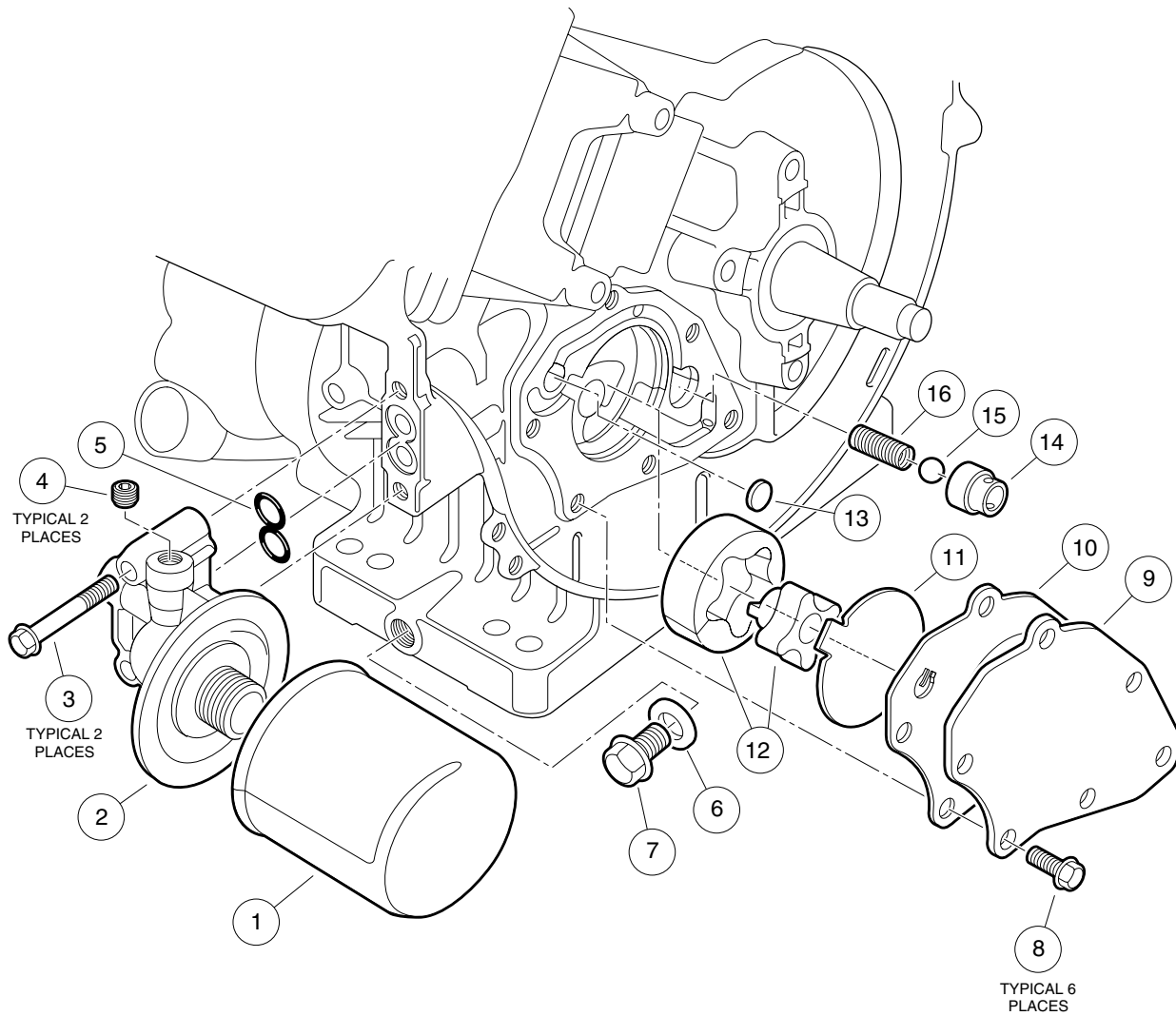


# FE400 ENGINE (KEY-START) – IGNITION COMPONENTS AND FLYWHEEL

ITEM	PART NO.	DESCRIPTION	QTY
		1 2 3 4	
1	101916201	Flywheel .....	1
2	101916301	Fan, Flywheel – Gray .....	1
3	1017448	Screw, Flanged Hex-Head, M6 x 1 x 10 mm .....	3
4	N/A	Nut, Hex, Fine, 18 mm .....	1
5	1017490	Washer, Flat, 18 mm .....	1
6	1017455	Plate, Flywheel Fan .....	1
7	1016562	Key .....	1
8	1016455	Screw, Hex-Head Flanged, M5 x 0.8 x 25 mm .....	2
9	101909201	Coil, Ignition (with internal igniter) .....	1
10	1016578	Grommet .....	1
11	1016588	Tube, 7 mm I.D. x 10 mm O.D. x 70 mm Long .....	1
12	1017463	Assembly, Plug Cap .....	1
13	101881101	Plug, Spark, OHV (Autolite) .....	1
13	AM10724	Plug, Spark, OHV (NGK) .....	1
14	1016445	Bracket, RPM Limiter .....	1
15	101909401	Limiter, RPM .....	1
16	1016579	Band, RPM Limiter Mount .....	1
17	1012981	Clamp .....	1
18	1016456	Screw, Flanged Hex-Head, M6 x 1 x 12 mm .....	2
19	1016586	Damper .....	1
20	101909501	Clamp .....	1
21	1016497	Screw, Cross Pan-Head, M5 x 0.8 x 8 mm .....	1
22	1016544	Screw, Cross Pan-Head Self-Tapping, M5 x 12 mm .....	1
23	1016561	Clamp .....	1
24	1016587	Clamp .....	1
25	101909301	Wire, Lead .....	1

**8**  
**G**

## FE400 ENGINE



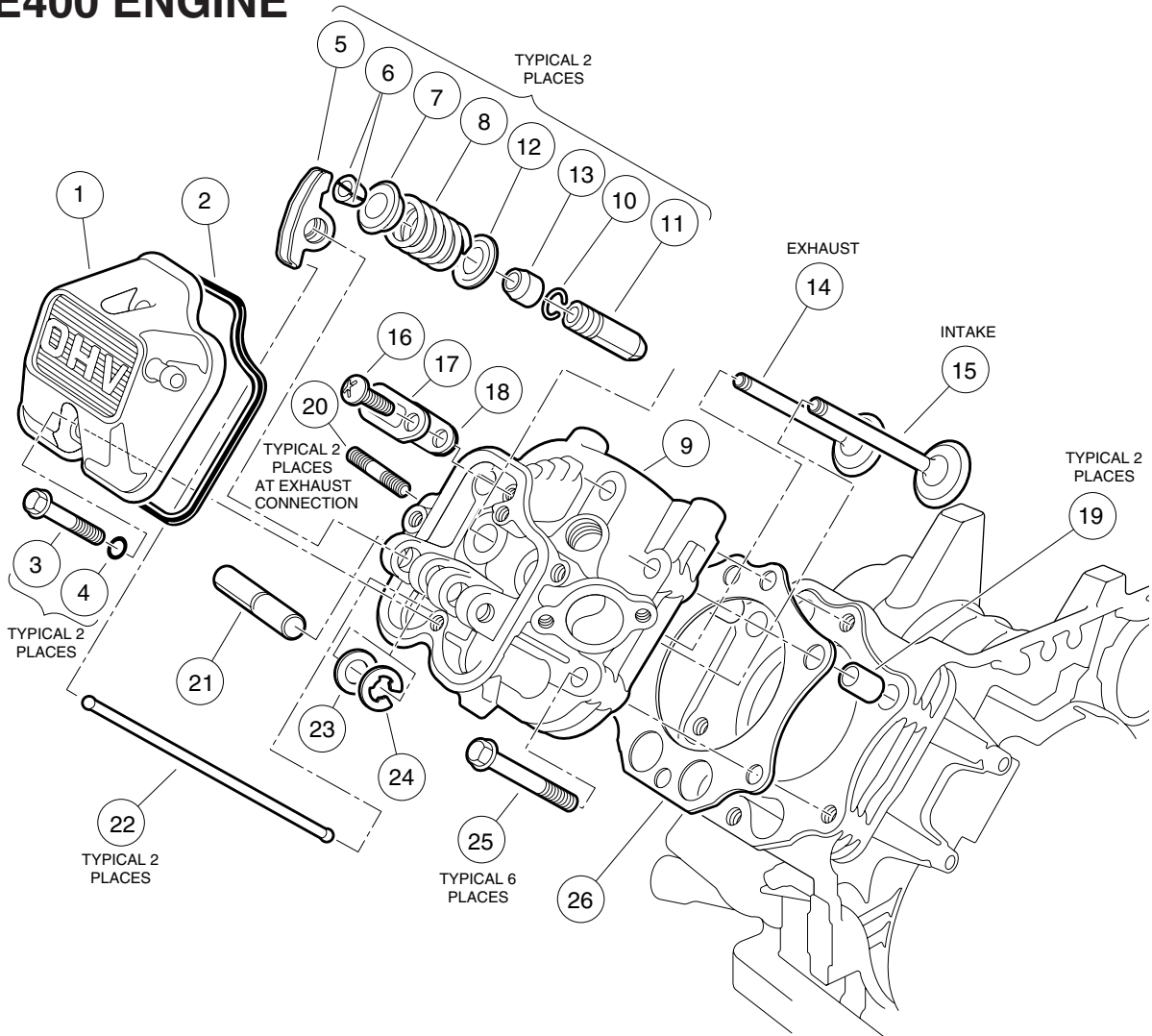


# FE400 ENGINE (KEY-START) – OIL CIRCULATION

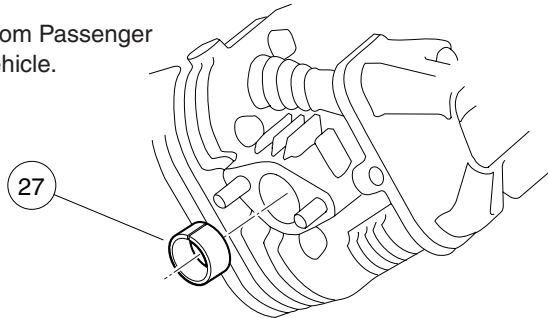
ITEM	PART NO.	DESCRIPTION	QTY
		1 2 3 4	
1	1016467	Oil Filter .....	1
2	1016502	Bracket, Oil Filter .....	1
3	1016457	Bolt, Flanged Hex-Head, M6 x 1 x 40 mm .....	2
4	1017507	Plug .....	2
5	1016570	O-Ring, Oil Filter Mount .....	1
6	1016432	Gasket, Drain Plug .....	1
7	1016576	Plug, Drain .....	1
8	1017456	Screw, Flanged Hex-Head, M6 x 1 x 12 mm .....	6
9	1017460	Cover, Pump .....	1
10	1017442	Gasket, Oil Pump .....	1
11	1016473	Plate, Oil Pump .....	1
12	101648203	Pump, Oil and Rotor .....	1
13	1017458	Filter .....	1
14	1016429	Seat, Valve .....	1
15	1016537	Ball, Steel Pressure Relief .....	1
16	1016581	Spring .....	1

**8**  
**G**

# FE400 ENGINE



Viewed from Passenger side of vehicle.

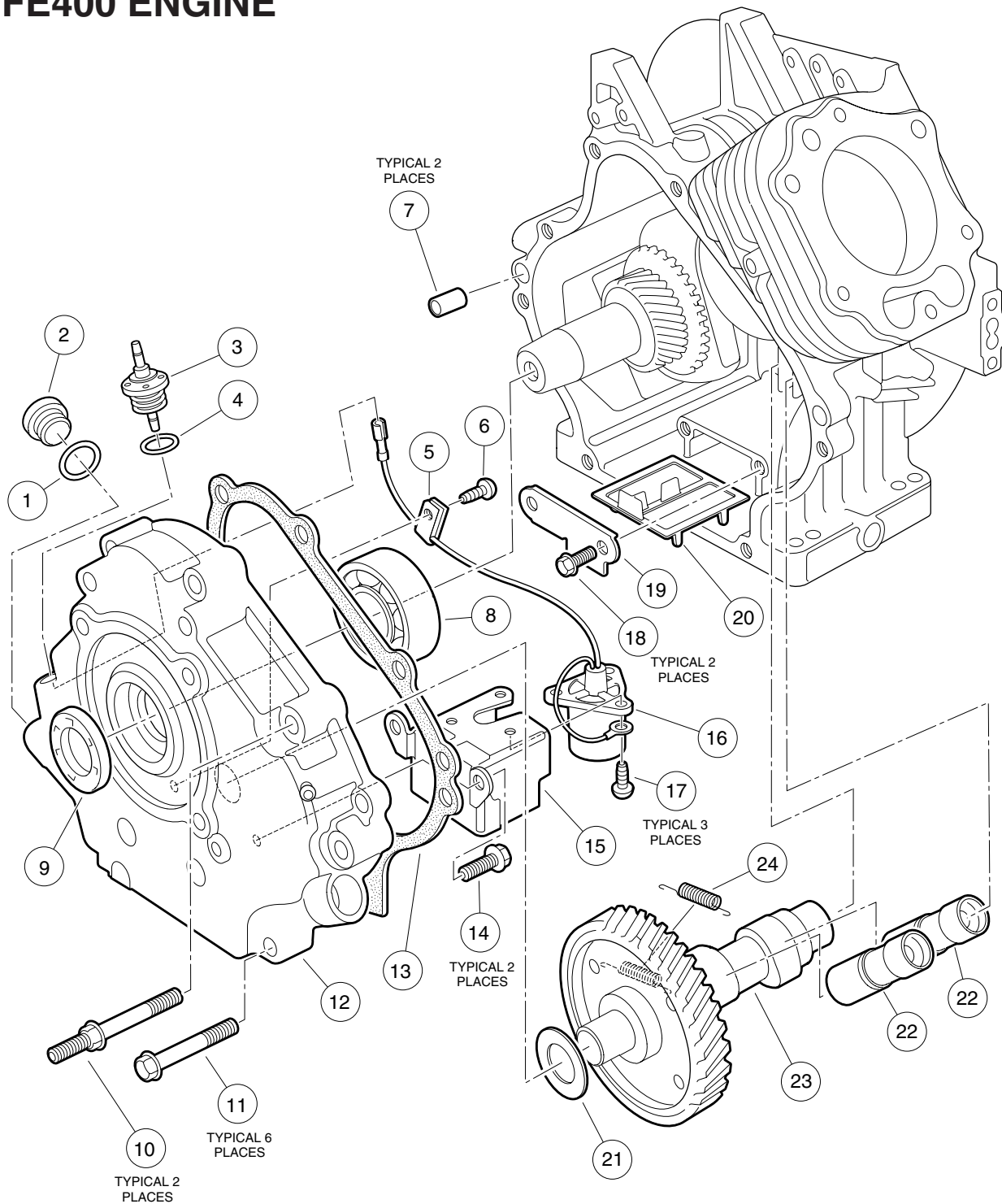


# FE400 ENGINE (KEY-START) – CYLINDER HEAD

ITEM	PART NO.	DESCRIPTION	QTY
		1 2 3 4	
1	1016442	Case, Rocker .....	1
2	1016436	Gasket, Rocker Case .....	1
3	1016583	Bolt, Flanged, M6 x 1 x 35 mm .....	2
4	1016569	O-Ring .....	2
5	1017446	Arm, Rocker .....	2
6	1016450	Collet .....	4
7	1016449	Retainer, Valve Spring .....	2
8	1017473	Spring, Engine Valve .....	2
9	102270001	Assembly, Cylinder Head, FE400 (includes items 10 and 11) .....	1
10	1016560	Ring, Snap .....	2
11	1016519	Guide, Valve .....	2
12	1016479	Seat, Spring .....	2
13	1016566	Seal, Valve .....	2
14	1017445	Valve, Exhaust .....	1
15	1017444	Valve, Intake .....	1
16	1016544	Screw, Cross Pan-Head Self-Tapping, M5 x 0.8 x 12 mm .....	1
17	1016474	Plate .....	1
18	1016483	Valve .....	1
19	1016563	Pin, Hollow .....	2
20	1016489	Bolt, Stud, M8 x 1.25 x 29 mm .....	2
21	1016452	Shaft, Rocker .....	1
22	1017454	Rod, Push .....	2
23	1016549	Washer, Flat, M12 .....	1
24	1016517	Circlip, Type-E .....	1
25	1016458	Bolt, Flanged, M8 x 1.25 x 45 mm .....	6
26	102269901	Gasket, Head .....	1
27	102271101	Sleeve .....	1
28	102304901	Kit, Gasket, FE400 (contains one each of all internal gaskets for FE400 engine) (not shown) .....	1

**8**  
**G**

## FE400 ENGINE

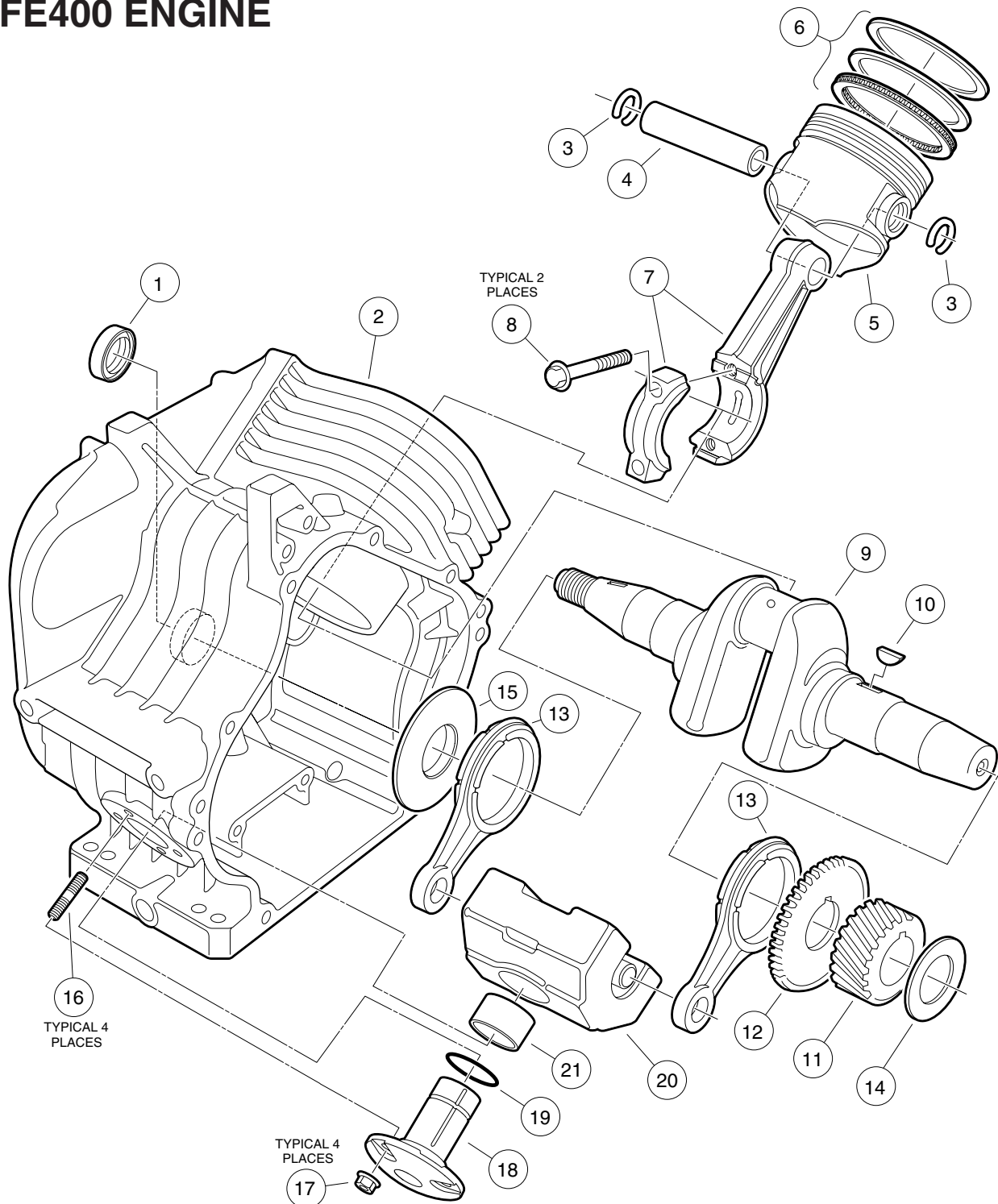


## FE400 ENGINE (KEY-START) – CRANKCASE, CAMSHAFT AND OIL SENSOR

ITEM	PART NO.	DESCRIPTION	QTY
		1 2 3 4	
1	1016538	O-Ring .....	1
2	1017508	Plug .....	1
3	1016535	Connector, Oil Sending Unit .....	1
4	1016538	O-Ring .....	1
5	1016506	Clamp .....	1
6	1016544	Screw, Cross Pan-Head Self-Tapping, M5 x 0.8 x 12 mm .....	1
7	1016564	Pin, Hollow .....	2
8	1017487	Bearing, Crankshaft .....	1
9	102272101	Seal, Crankshaft .....	1
10	1016584	Bolt, 2-Ended Flanged, M8 x 1.25 x 69 mm .....	2
11	1017514	Bolt, Flanged, M8 x 1.25 x 45 mm .....	6
12	102271401	Cover, Crankcase .....	1
13	1017443	Gasket, Crankcase Cover .....	1
14	102272301	Bolt, Flanged .....	2
15	102271201	Bracket, Oil Level Switch .....	1
16	1016494	Sensor, Oil Level .....	1
17	1016496	Screw, Cross Pan-Head, M4 x 0.7 x 8 mm .....	3
18	1016454	Bolt, Flanged, M5 x 0.8 x 8 mm .....	2
19	1016472	Plate, Oil Filter Screen .....	1
20	1016521	Screen, Oil Filter .....	1
21	101751801	Shim, 0.3 mm Thick .....	A/R
21	101751802	Shim, 0.4 mm Thick .....	A/R
21	101751803	Shim, 0.5 mm Thick .....	A/R
22	1017447	Lifter, Hydraulic .....	2
23	102271601	Camshaft, FE350/FE400 (with automatic compression release) (includes item 24) .....	1
24	1017511	Spring .....	1
25	102304901	Kit, Gasket, FE400 (contains one each of all internal gaskets for FE400 engine) (not shown) .....	1

**8**  
**G**

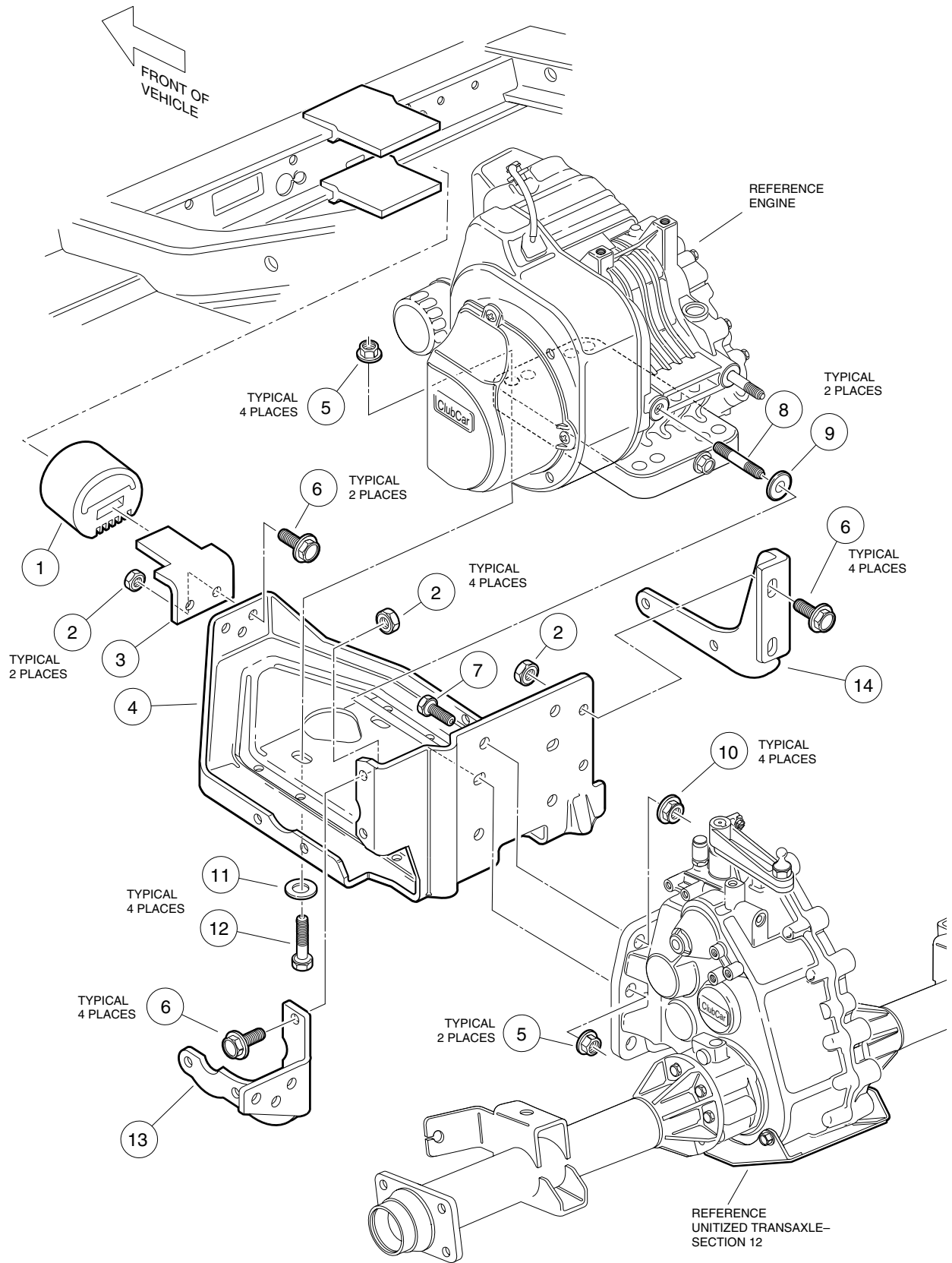
## FE400 ENGINE



# FE400 ENGINE (KEY-START) – CRANKCASE AND CRANKSHAFT

ITEM	PART NO.	DESCRIPTION	QTY
		1 2 3 4	
1	1017503	Seal, Oil .....	1
2	102271501	Crankcase, FE400 (clockwise rotation) .....	1
3	1017502	Ring, Snap .....	2
4	1017450	Pin, Piston .....	1
5	102270201	Piston, Standard .....	1
6	102270301	Ring Set, Piston, Standard .....	1
7	101745701	Assembly, Connecting Rod, Standard (includes 2 each of item 8) .....	1
7	101745702	Assembly, Connecting Rod, .50 mm Undersized (includes 2 each of item 8) .....	1
8	102272201	Bolt, Hex-Head, M8 x 1.25 x 42 mm .....	2
9	102270401	Crankshaft, FE400 (left-hand threads) (includes items 10 - 12 and one each of item 13) .....	1
10	1016562	Key .....	1
11	102271901	Gear, Helical (22T) .....	1
12	102271801	Gear, Spur .....	1
13	1017471	Rod, Connecting .....	2
14	101773301	Shim, Crankshaft, 1.18 mm Thick .....	A/R
14	101773302	Shim, Crankshaft, 1.25 mm Thick .....	A/R
14	101773303	Shim, Crankshaft, 1.32 mm Thick .....	A/R
14	101773304	Shim, Crankshaft, 1.39 mm Thick .....	A/R
14	101773305	Shim, Crankshaft, 1.46 mm Thick .....	A/R
14	101773306	Shim, Crankshaft, 1.53 mm Thick .....	A/R
14	101773307	Shim, Crankshaft, 1.60 mm Thick .....	A/R
14	101773308	Shim, Crankshaft, 1.67 mm Thick .....	A/R
14	101773309	Shim, Crankshaft, 1.74 mm Thick .....	A/R
14	101773310	Shim, Crankshaft, 1.11 mm Thick .....	A/R
14	101773311	Shim, Crankshaft, 1.81 mm Thick .....	A/R
15	1017501	Spacer .....	1
16	1016541	Bolt, Stud, M6 x 1 x 22 mm .....	4
17	1016547	Nut, Flanged, M6 x 1 .....	4
18	1016470	Shaft, Guide Counterbalance .....	1
19	1016571	O-Ring .....	1
20	102270501	Weight, Counterbalance (includes item 21) .....	1
21	1017510	Bearing .....	1

**8**  
**G**





# ENGINE MOUNTING

ITEM	PART NO.	DESCRIPTION	QTY
		1 2 3 4	
1	1012164	Snubber .....	1
2	1013924	Nut, Hex Lock, UNF, 5/16-24 .....	10
3	101834601	Bracket, Snubber .....	1
4	101827101	Plate, Mounting .....	1
5	101963401	Nut, Flanged, 5/16-18 .....	6
6	101884801	Screw, Hex Washer-Head, 5/16-24 x 7/8 .....	10
7	101833301	Screw, Hex-Head Cap, M10 x 1.25 x 30 mm .....	4
8	101833101	Stud, M8 x 1.25 x 50 mm .....	2
9	101832101	Washer, Flat, 5/16 .....	2
10	101832901	Nut, Flanged, M10 x 1.25 .....	4
11	1012571	Washer, Heavy Flat, 5/16 .....	4
12	1010577	Screw, Hex-Head Cap, 5/16-18x1.50 .....	4
13	101832701	Stiffener, Flywheel Side .....	1
14	101832601	Stiffener, PTO Side .....	1

**8**

**G**

**8**

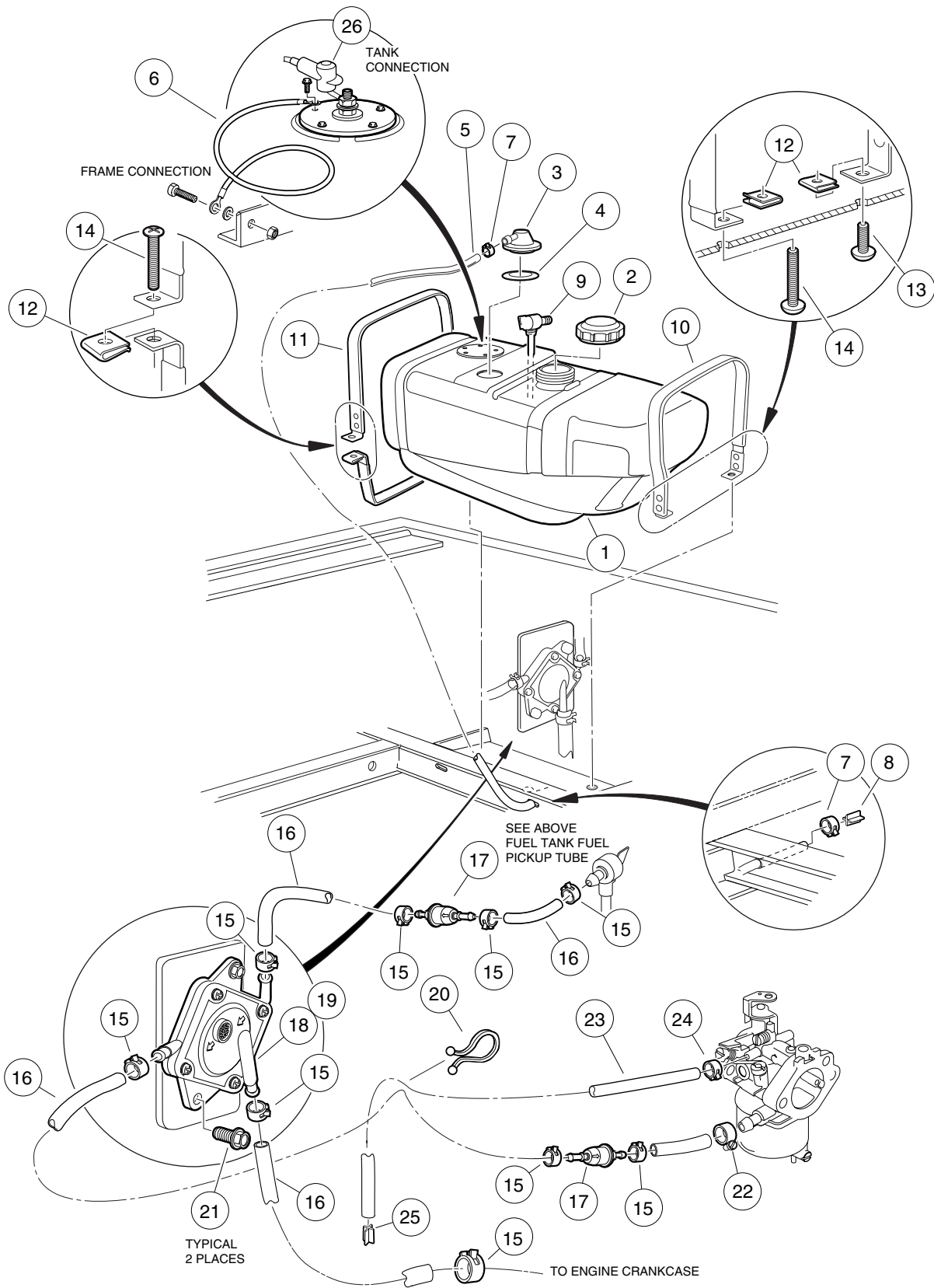
**G**

# FUEL, INTAKE, AND GOVERNOR SYSTEMS

---

9

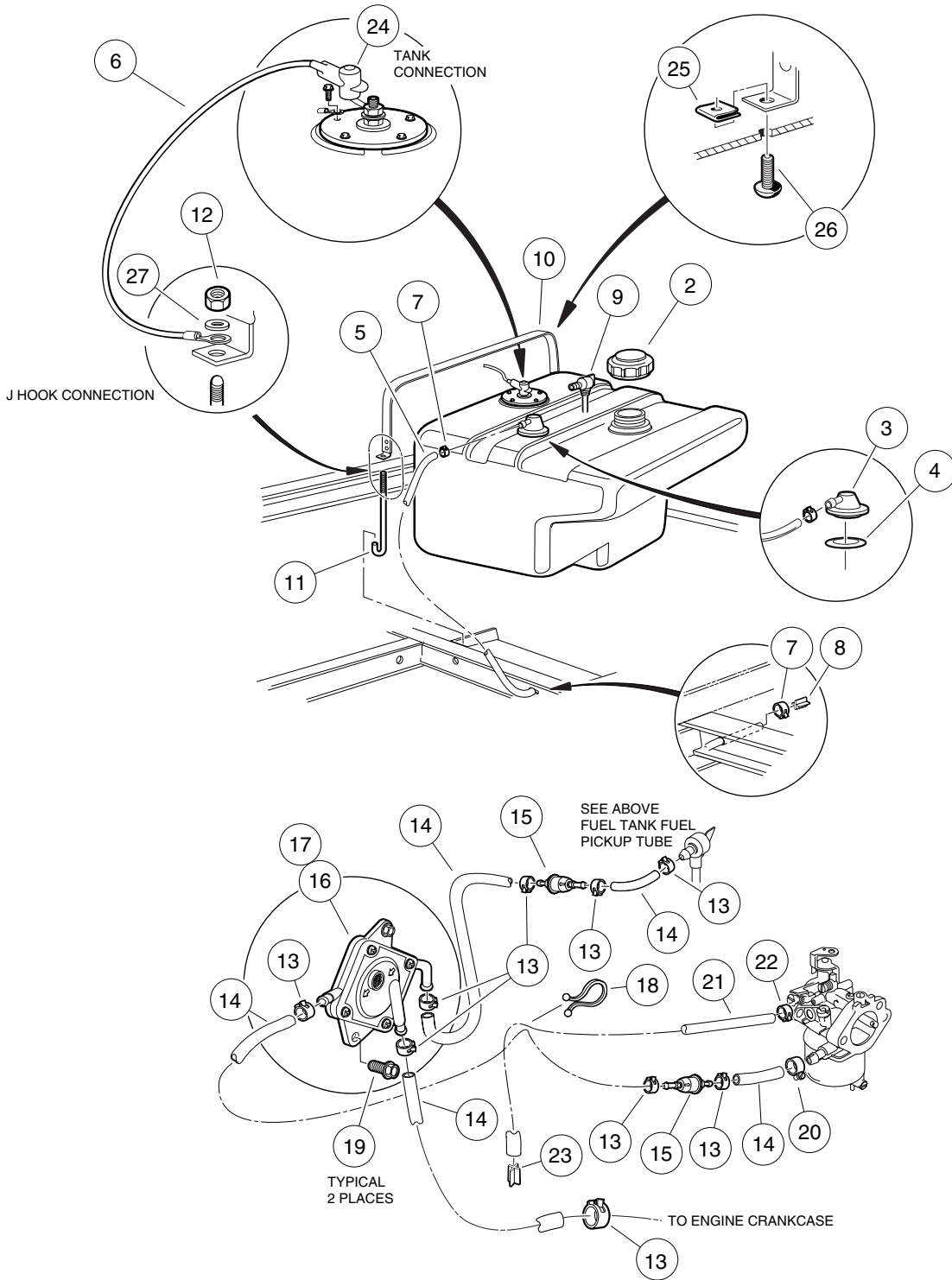
G



# FUEL SYSTEM – TURF 272 AND CARRYALL 272 VEHICLES

ITEM	PART NO.	DESCRIPTION	QTY
		1 2 3 4	
1	1016004	Kit, Fuel Tank, with Sending Unit (includes items 2 - 9) .....	1
2	1015188	Cap, Fuel Tank, Nonvented .....	1
3	1015143	Vent, Fuel Tank .....	1
4	1015139	Grommet, Insulation .....	1
5	1015137	Line, Bulk Vent (available by the foot) .....	A/R
6	N/A	Wire Assembly, #16 Black .....	1
7	1013746	Clamp, Hose – Gray .....	2
8	101824401	Barb, Vent .....	1
9	101896901	Valve, Fuel Pickup Tube with Shut-Off .....	1
10	1014928	Fuel Strap, Rear .....	1
11	101955301	Fuel Strap, Front .....	1
12	1014116	Nut, U-Type Speed, 1/4-20 .....	3
13	8248	Screw, Phillips Truss-Head, 1/4-20 x 3/4 .....	1
14	1011988	Screw, Phillips Truss-Head, 1/4-20 x 2 .....	2
15	1012649	Clamp, Hose – Red .....	9
16	1013692	Line, Bulk Fuel (available by the foot*) .....	A/R
17	102003201	Filter, Fuel .....	2
18	1014523	Pump, Fuel Impulse .....	1
19	1014524	Kit, Rebuild, Fuel Impulse Pump .....	A/R
20	101987701	Clamp, Plastic .....	1
21	1012285	Screw, Thread-Rolling, 1/4-20 x 5/8 .....	2
22	1013687	Clamp, Hose (screw type) .....	1
23	1015137	Line, Bulk Vent (available by the foot) .....	A/R
24	1013746	Clamp, Hose – Gray .....	1
25	101824401	Barb, Vent .....	1
26	N/A	Boot, Rubber .....	1
<p>* The total fuel line length for the Turf/Carryall 272 is 34-1/2 inches (87.6 cm).</p>			

**9**  
**G**

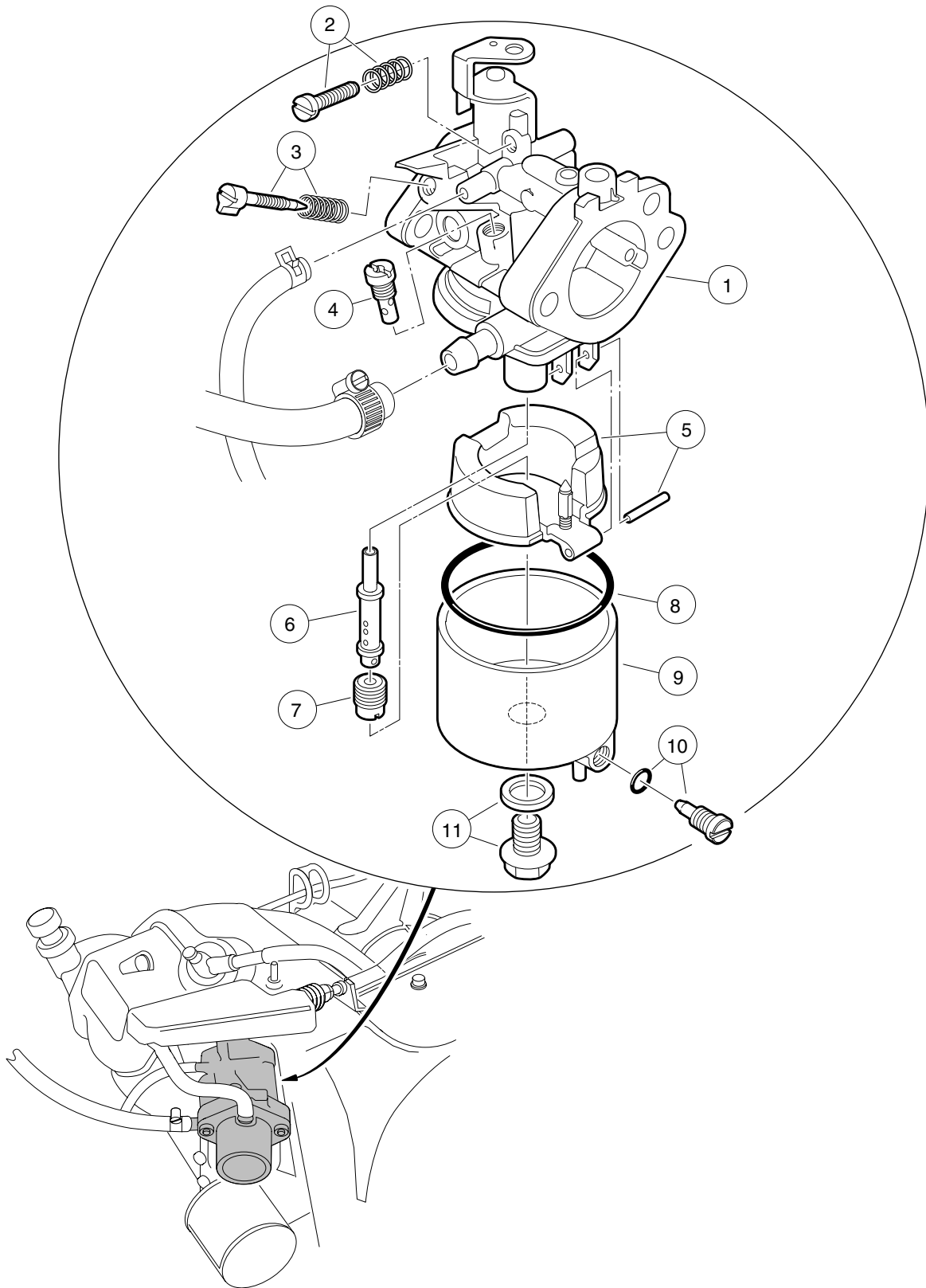


# FUEL SYSTEM – CARRYALL 472 VEHICLES

ITEM	PART NO.	DESCRIPTION	QTY
		1 2 3 4	
1	102333601	Kit, Fuel Tank, with Sending Unit (includes items 2 - 9) .....	1
2	1015188	Cap, Fuel Tank, Nonvented .....	1
3	1015143	Vent, Fuel Tank .....	1
4	1015139	Grommet, Insulation .....	1
5	1015137	Line, Bulk Vent (available by the foot) .....	A/R
6	N/A	Wire Assembly, #16 Black .....	1
7	1013746	Clamp, Hose – Gray .....	2
8	101824401	Barb, Vent .....	1
9	101896901	Valve, Fuel Pickup Tube with Shut-Off .....	1
10	102333401	Fuel Strap .....	1
11	102333901	J-Bolt .....	1
12	8233	Nut, Hex, 1/4-20 .....	1
13	1012649	Clamp, Hose – Red .....	9
14	1013692	Line, Bulk Fuel (available by the foot*) .....	A/R
15	102003201	Filter, Fuel .....	2
16	1013630	Pump, Fuel Impulse .....	1
17	1014524	Kit, Rebuild, Fuel Impulse Pump .....	A/R
18	101987701	Clamp, Plastic .....	1
19	1012285	Screw, Thread-Rolling, 1/4-20 x 5/8 .....	2
20	1013687	Clamp, Hose (screw type) .....	1
21	1015137	Line, Bulk Vent (available by the foot) .....	A/R
22	1013746	Clamp, Hose – Gray .....	1
23	101824401	Barb, Vent .....	1
24	N/A	Boot, Rubber .....	1
25	1014116	Nut, U-Type Speed, 1/4-20 .....	3
26	8248	Screw, Phillips Truss-Head, 1/4-20 x 3/4 .....	1
27	332	Washer, Flat, 5/16 .....	1
<p>* The total fuel line length for the Carryall 472 is 75.65 inches (192.2 cm).</p>			

9

G



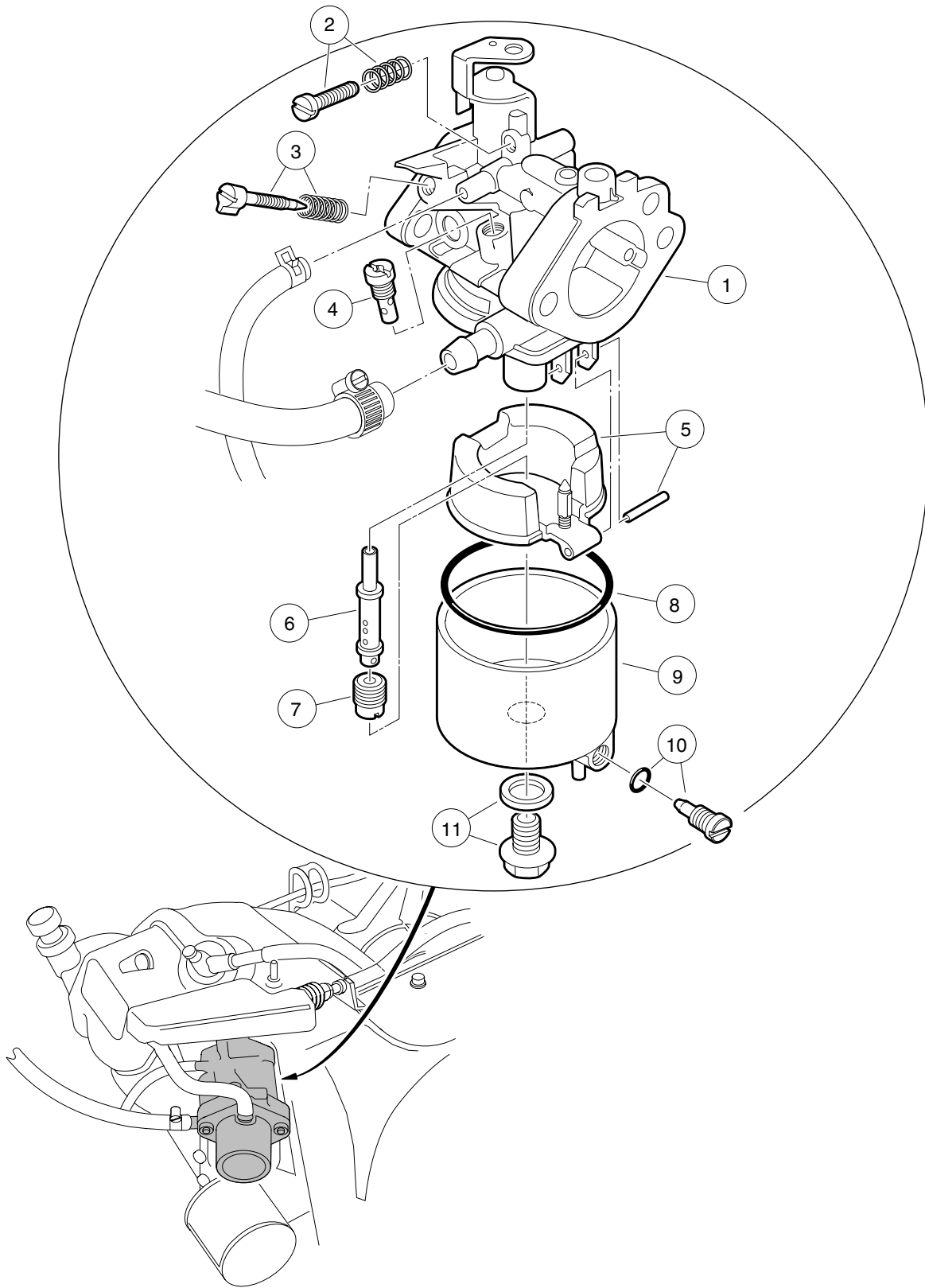


# CARBURETOR ASSEMBLY, FE350 ENGINE

ITEM	PART NO.	DESCRIPTION	QTY
		1 2 3 4	
1	101905901	Assembly, Carburetor (FE350 engine) (includes items 2 - 11) .....	1
2	1016501	Assembly, Idle Screw .....	1
3	N/A	Assembly, Pilot Air Screw .....	1
4	101973101	Jet, Pilot, #40 .....	1
5	1016486	Assembly, Float .....	1
6	101973301	Nozzle, Main (FE350 engine) .....	1
		Standard Jetting:	
7	101642585	Jet, Main, 0 - 3,000 Feet (0-914.4 m) .....	1
7	101642582	Jet, Main, 3,000 - 5,000 Feet (914.4-1524 m) .....	A/R
7	101642580	Jet, Main, 5,000 - 8,000 Feet (1524-2438.4 m) .....	A/R
7	101642578	Jet, Main, 8,000 - 10,000 Feet (2438.4-3048 m) .....	A/R
7	101642575	Jet, Main, 10,000 Feet and Above (3048 m and above) .....	A/R
8	1016437	Gasket, Float Chamber .....	1
9	1017461	Assembly, Float Chamber (includes item 10) .....	1
10	1016499	Assembly, Screw .....	1
11	1016585	Assembly, Bolt .....	1

9

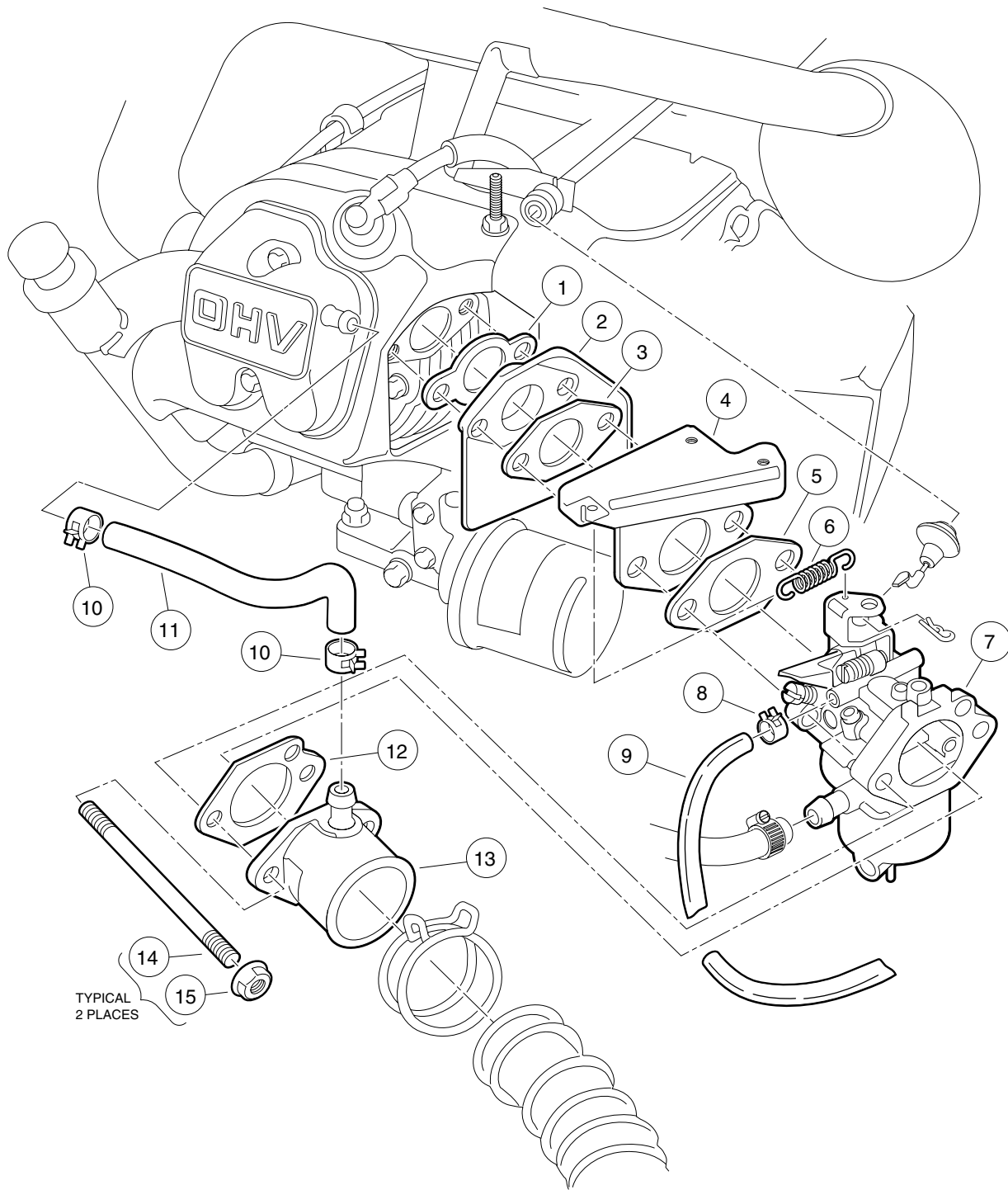
G



# CARBURETOR ASSEMBLY, FE400 ENGINE

ITEM	PART NO.	DESCRIPTION	QTY
		1 2 3 4	
1	102270701	Assembly, Carburetor (FE400 engine) (includes items 2 - 11) .....	1
2	1016501	Assembly, Idle Screw .....	1
3	N/A	Assembly, Pilot Air Screw .....	1
4	1016574	Jet, Pilot, #45 .....	1
5	1016486	Assembly, Float .....	1
6	102271701	Nozzle, Main (FE400 engine) .....	1
		Standard Jetting:	
7	101642588	Jet, Main, 0 - 3,280 Feet (0-1000 m) .....	1
7	101642585	Jet, Main, 3,280 - 6,562 Feet (1000-2000 m) .....	A/R
7	101642582	Jet, Main, 6,562 Feet and Above (2000 m and above) .....	A/R
8	1016437	Gasket, Float Chamber .....	1
9	1017461	Assembly, Float Chamber (includes item 10) .....	1
10	1016499	Assembly, Screw .....	1
11	1016585	Assembly, Bolt .....	1

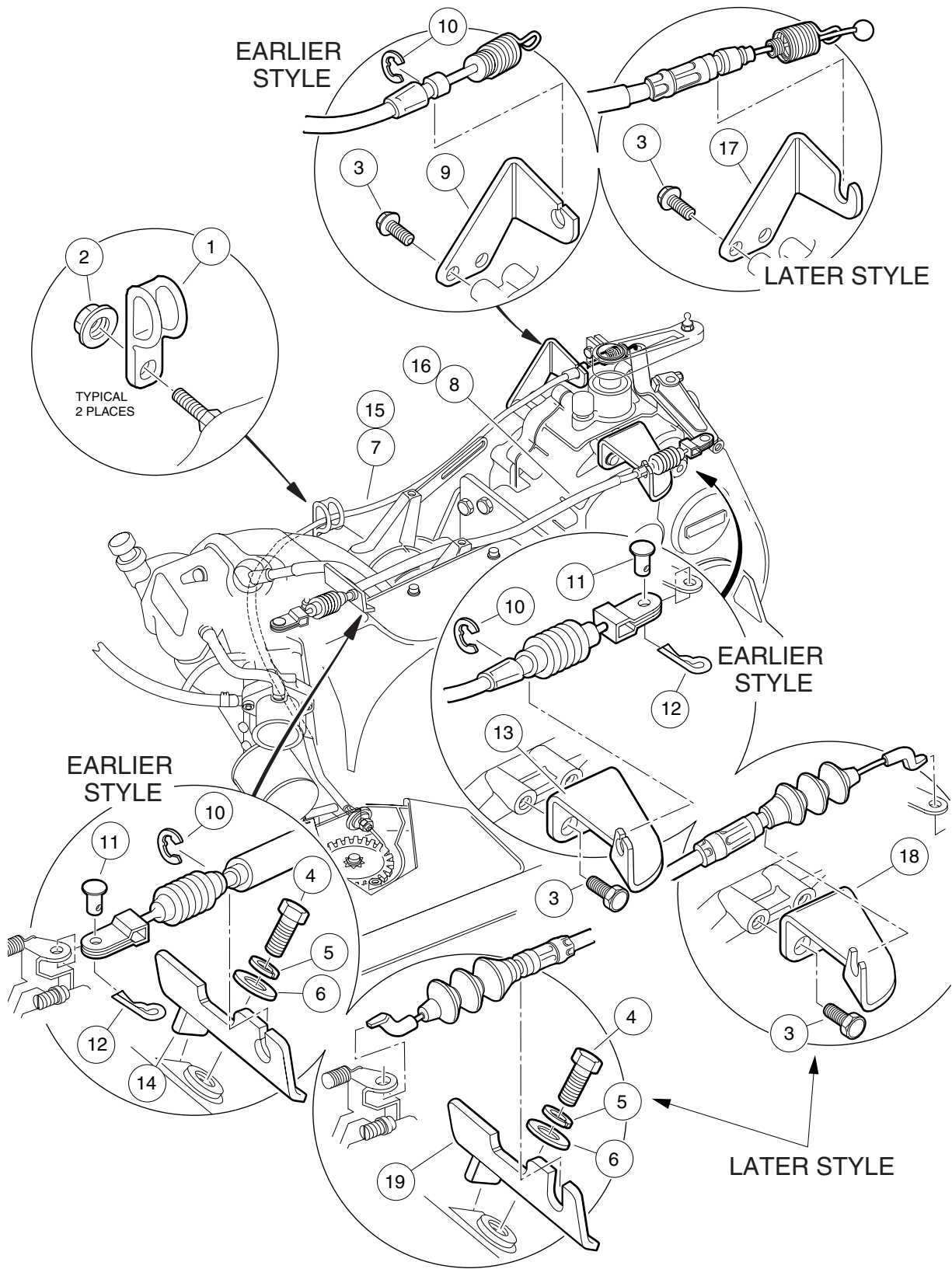
9  
G



# CARBURETOR INSTALLATION

ITEM	PART NO.	DESCRIPTION	QTY
		1 2 3 4	
1	1016440	Gasket, Insulator .....	1
2	101648102	Insulator, Carburetor .....	1
3	101973401	Gasket, Carburetor Insulator to Throttle Bracket .....	1
4	1016444	Bracket, Throttle .....	1
5	1016441	Gasket, Throttle Bracket to Carburetor .....	1
6	1016582	Spring, Throttle Return .....	1
7	101905901	Assembly, Carburetor (FE350 engine) .....	1
7	102270701	Assembly, Carburetor (FE400 engine) .....	1
8	1013746	Clamp, Hose – Gray .....	1
9	1015137	Line, Bulk Vent .....	A/R
10	1017466	Clamp, Hose – Bronze .....	2
11	1016572	Tube, Crankcase Vent .....	1
12	1016438	Gasket, Carburetor to Intake Manifold .....	1
13	1016480	Pipe, Intake .....	1
14	101649002	Screw, 2-Ended Stud, M6 x 1 x 90 mm .....	2
15	1016547	Nut, Flanged, M6 x 1 .....	2

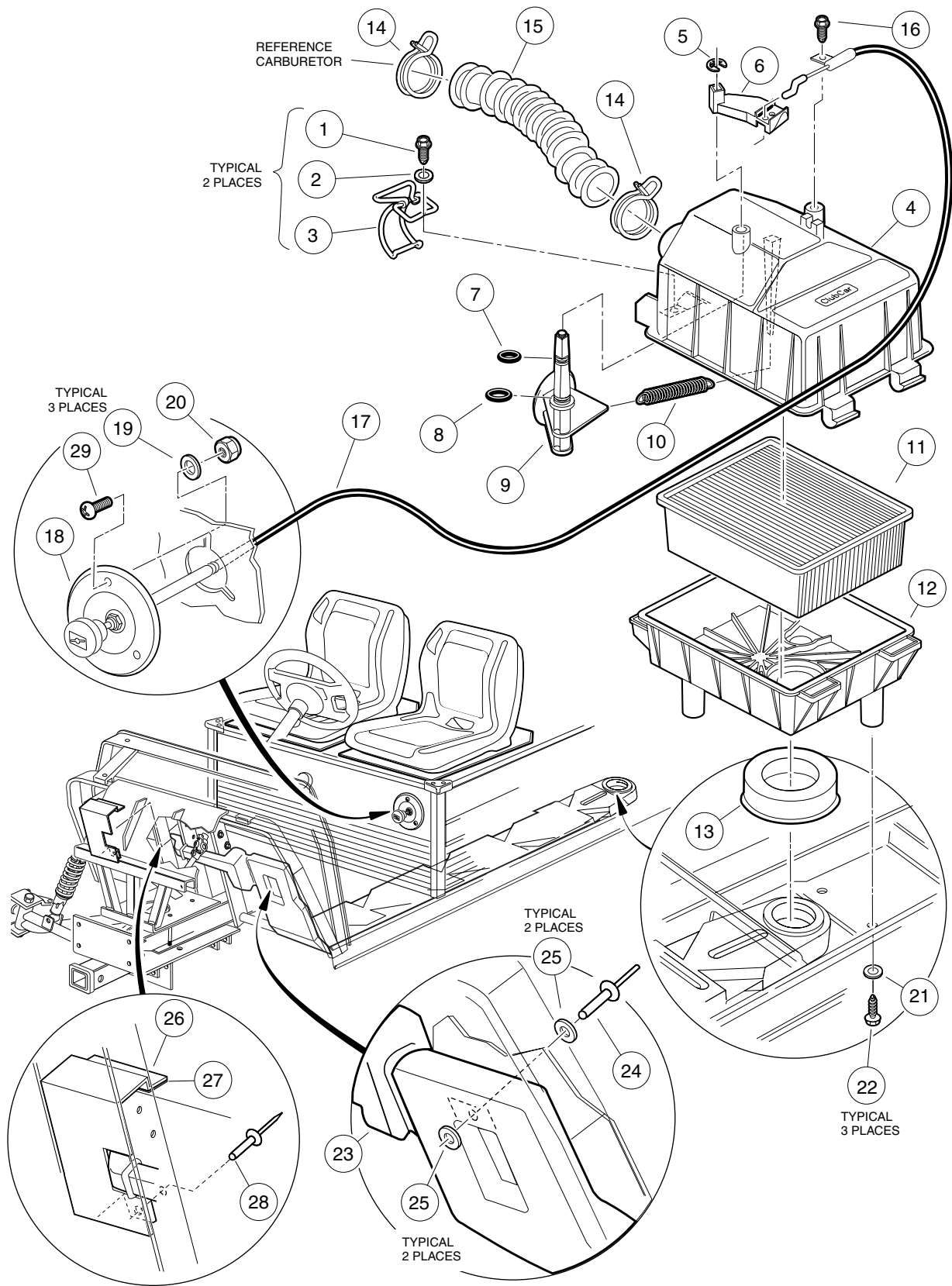
9  
G



# GOVERNOR AND ACCELERATOR CABLES

ITEM	PART NO.	DESCRIPTION	QTY
		1 2 3 4	
1	1013700	Clamp, Cable Retaining .....	2
2	1016546	Nut, Flanged Hex, M8 x 1.25 .....	2
3	1012285	Screw, Thread Rolling, 1/4-20 x 5/8 .....	4
4	101903501	Screw, Hex-Head Cap, M8 x 1.25 x 24 mm .....	1
5	7174	Washer, Lock, 5/16 .....	1
6	1011697	Washer, Flat, 5/16 .....	1
		Earlier style cables (early 2003 models)*:	
7	101832501	Cable, Accelerator (FE350 engine) – Black .....	1
7	102278401	Cable, Accelerator (FE400 engine) – Gray .....	1
8	101832402	Cable, Governor .....	1
9	101832301	Bracket, Accelerator Support .....	1
10	1016202	E-Ring .....	3
11	1015408	Pin, Governor Cable Clevis .....	2
12	1014413	Pin, Hair Spring Cotter, 1/8 I.D. x 5/8 .....	2
13	101832201	Bracket, Support .....	1
14	1015845	Bracket, Governor Cable Engine .....	1
		Later style cables (beginning mid-model year 2003)*:	
15	102336101	Cable, Accelerator, Snap-in .....	1
16	102336001	Cable, Governor, Snap-in .....	1
17	101832302	Bracket, Accelerator Support .....	1
18	101832202	Bracket, Support .....	1
19	101584502	Bracket, Governor Cable Engine .....	1
		* Brackets and cables must be of the same style.	



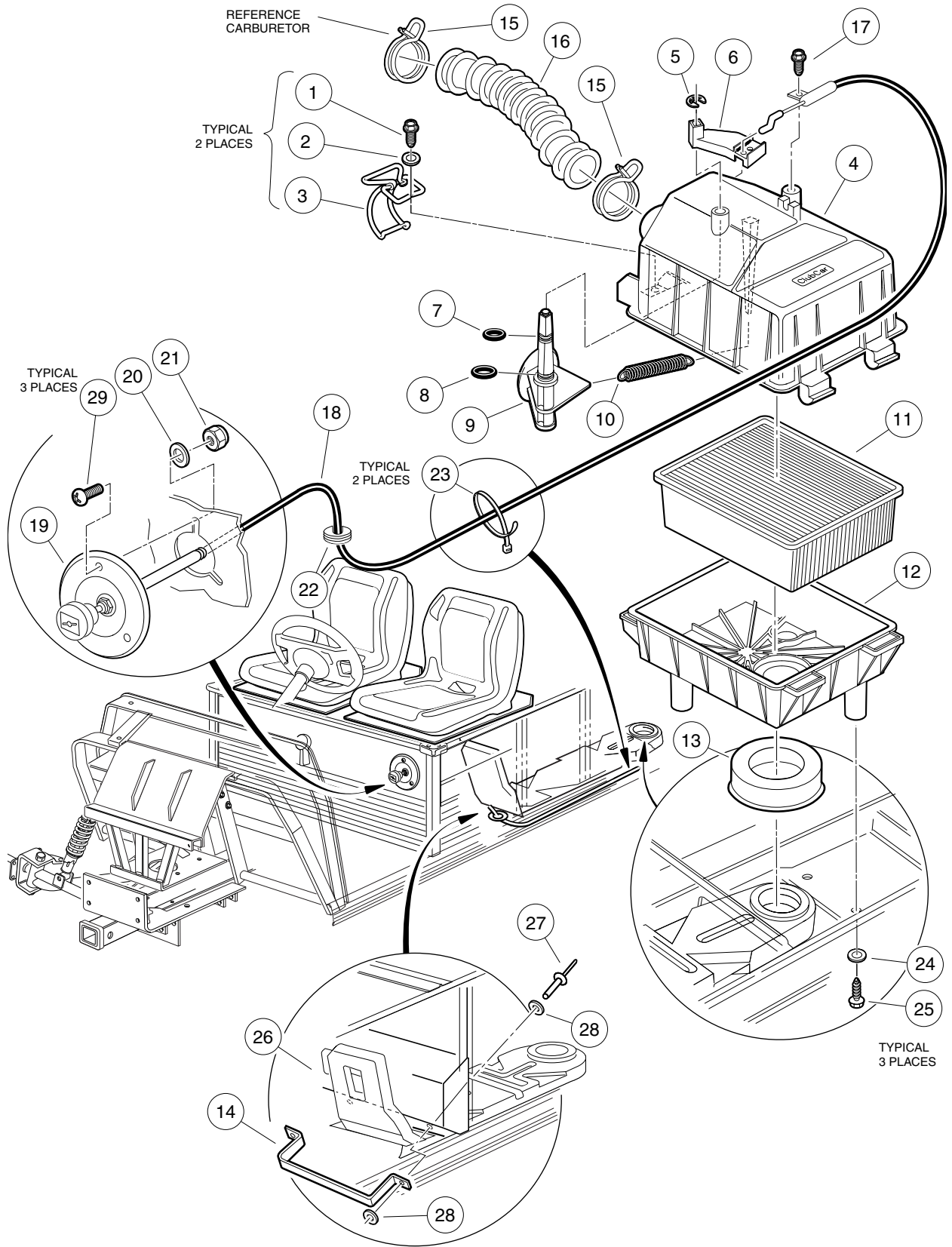




# INTAKE DUCT, CHOKE, AND AIR BOX ASSEMBLY – TURF 272 AND CARRYALL 272 VEHICLES

ITEM	PART NO.	DESCRIPTION	QTY
		1 2 3 4	
	101821501	Assembly, Air Box (includes items 1 - 13) .....	1
1	101804301	Screw, Hex-Head Hi-Lo, #8 x 1/2 .....	2
2	101881701	Washer, Stainless Steel, #8 .....	2
3	101925701	Latch, Wire .....	2
4	101972801	Assembly, Air Box Top (includes items 5 - 10) .....	1
5	101813001	E-Clip .....	1
6	101917601	Lever, Choke .....	1
7	N/A	O-Ring, 5/16 – Red .....	1
8	N/A	O-Ring, 3/8 – Green .....	1
9	N/A	Valve, Choke .....	1
10	101812301	Spring, Return .....	1
11	1015426	Filter, Air .....	1
12	101811901	Bottom, Air Box .....	1
13	101921501	Seal, Intake .....	1
14	101971301	Clamp, Hose (air intake) .....	2
15	101837101	Hose, Intake .....	1
16	101804301	Screw, Hex-Head Hi-Lo, #8 x 1/2 .....	1
17	101926801	Cable, Choke (includes item 18) .....	1
18	101933701	Bezel, Choke Cable .....	31
19	183	Washer, Flat, Type A, #10 .....	3
20	1012438	Nut, Nylon Lock, #10-24 .....	3
21	332	Washer, Flat, Type A, 1/4 .....	3
22	1015752	Screw, Hi-Lo, #12-16 x 5/8 .....	3
23	101958102	Duct, Air .....	1
24	1606	Rivet, Pop, 3/16 .....	2
25	183	Washer, Flat, Type A, #10 .....	4
26	102190702	Kit, Air Duct Shield (includes item 27 and 28) .....	1
27	N/A	Tape, VHB 4950, 4-1/2 inches .....	1
28	7973	Rivet, Pop, 3/16 .....	1
29	101971001	Air Duct Repair Kit (not shown) .....	A/R
	1631	Screw, Pan-Head, #10-24 x 3/4 .....	3

**9**  
**G**



# INTAKE DUCT, CHOKE, AND AIR BOX ASSEMBLY – CARRYALL 472 VEHICLES

ITEM	PART NO.	DESCRIPTION	QTY
		1 2 3 4	
	101821501	Assembly, Air Box (Includes Items 1 - 13) .....	1
1	101804301	Screw, Hi-Lo Hex-Head, #8-1/2 .....	2
2	101881701	Washer, Stainless Steel, #8 .....	2
3	101925701	Latch, Wire .....	2
4	101972801	Assembly, Air Box Top (Includes Items 5 - 10) .....	1
5	101813001	E-Clip .....	1
6	101917601	Lever, Choke .....	1
7	N/A	O-Ring, 5/16 (Red) .....	1
8	N/A	O-Ring, 3/8 (Green) .....	1
9	N/A	Valve, Choke .....	1
10	101812301	Spring, Return .....	1
11	1015426	Filter, Air .....	1
12	101811901	Bottom, Air Box .....	1
13	101921501	Seal, Intake .....	1
14	101825701	Bracket, Retaining .....	1
15	101971301	Clamp, Hose (Air Intake) .....	2
16	101837101	Hose, Intake .....	1
17	101804301	Screw, Hex-Head Hi-Lo, #8 x 1/2 .....	1
18	101926802	Cable, Choke (includes item 19) .....	1
19	101933701	Bezel, Choke Cable .....	1
20	183	Washer, #10 .....	3
21	1012438	Nut, Nylon Lock, #10-24 .....	3
22	1015139	Grommet .....	1
23	8168	Tie, Wire .....	2
24	332	Washer, Flat, 1/4 .....	3
25	1015752	Screw, Hi-Lo, #12-16 x 5/8 .....	3
26	101811301	Duct, Air .....	1
27	7973	Rivet, Pop, 3/16 .....	2
28	183	Washer, Flat, #10 .....	4
	101971001	Kit, Air Duct Repair (Not Shown) .....	A/R
29	1631	Screw, Pan-Head, #10-24 x 3/4 .....	3

**9**  
**G**

9

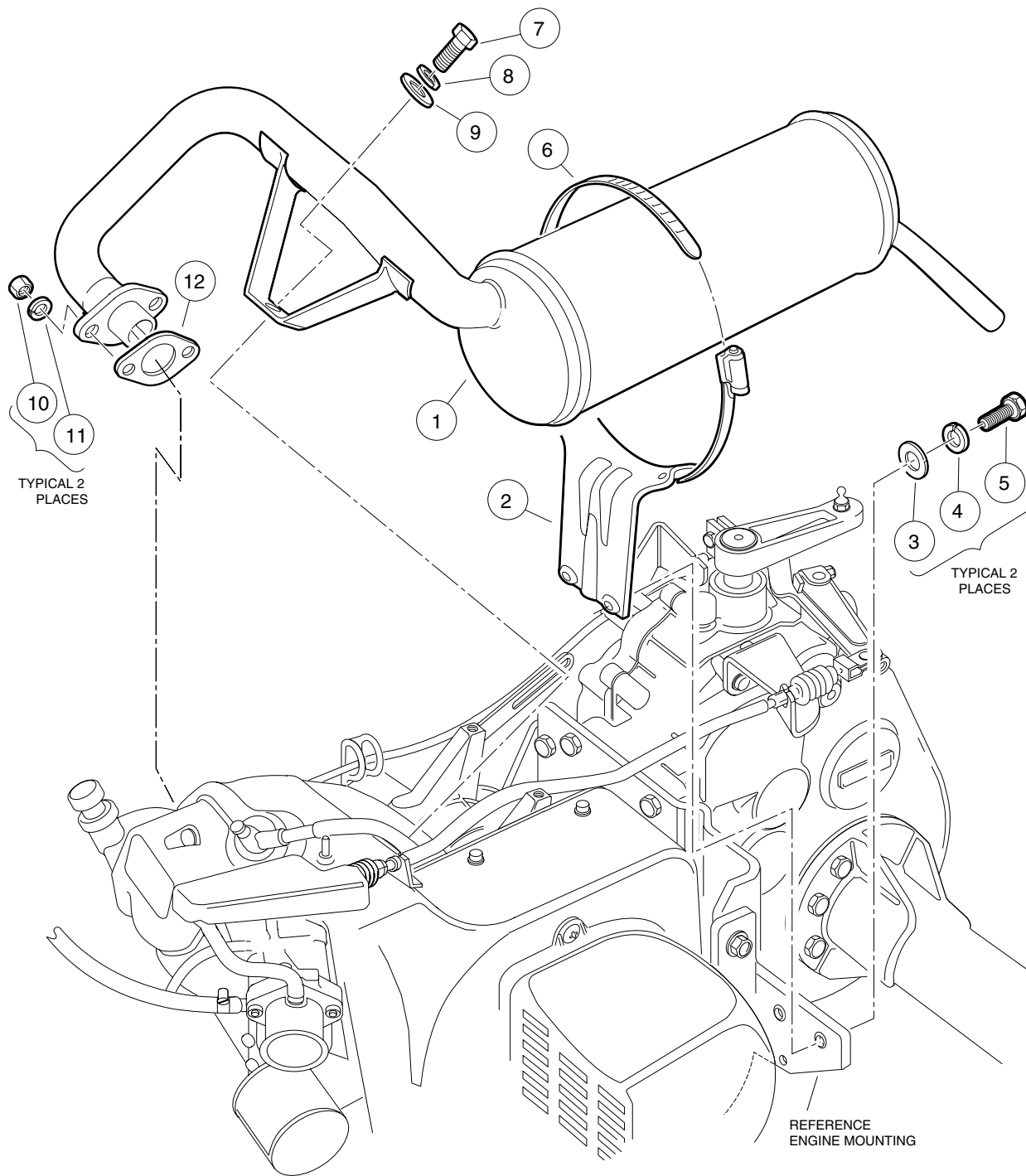
G

# EXHAUST SYSTEM

---

**10**

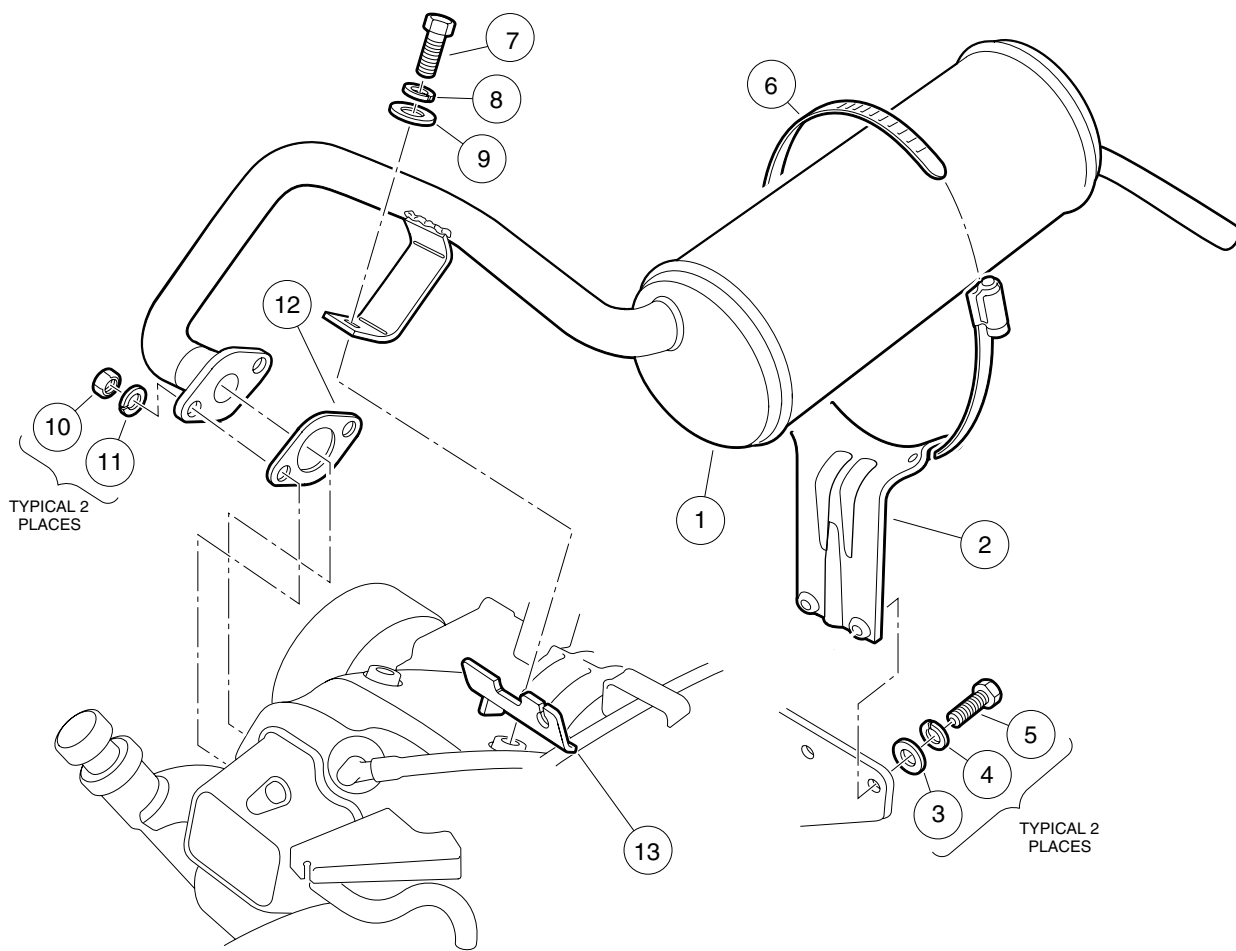
**G**



# EXHAUST SYSTEM, FE350 ENGINE

ITEM	PART NO.	DESCRIPTION	QTY
		1 2 3 4	
1	101859401	System, Exhaust (FE350 engine) .....	1
2	1015814	Bracket, Muffler Mounting .....	1
3	332	Washer, Flat, Type A, 1/4 .....	2
4	451	Washer, Lock, 1/4 .....	2
5	7847	Screw, Hex-Head, 1/4-20 x 3/4 .....	2
6	1017689	Clamp, Muffler .....	1
7	1012830	Screw, Hex-Head Cap, M8 x 1.25 x 22 mm .....	1
8	7174	Washer, Lock, 5/16 .....	1
9	1241	Washer, Flat, Type A, 5/16 .....	1
10	1012528	Nut, Hex, M8 x 1.25 .....	2
11	1013734	Washer, Lock, 8 mm .....	2
12	1016904	Gasket, Exhaust (FE350 engine) .....	1

10  
G





# EXHAUST SYSTEM, FE400 ENGINE

ITEM	PART NO.	DESCRIPTION	QTY
		1 2 3 4	
1	102257201	System, Exhaust (FE400 engine) .....	1
2	1015814	Bracket, Muffler Mounting .....	1
3	332	Washer, Flat, Type A, 1/4 .....	2
4	451	Washer, Lock, 1/4 .....	2
5	7847	Screw, Hex-Head, 1/4-20 x 3/4 .....	2
6	1017689	Clamp, Muffler .....	1
7	1012830	Screw, Hex-Head Cap, M8 x 1.25 x 22 mm .....	1
8	7174	Washer, Lock, 5/16 .....	1
9	1241	Washer, Flat, Type A, 5/16 .....	1
10	1012528	Nut, Hex, M8 x 1.25 .....	2
11	1013734	Washer, Lock, 8 mm .....	2
12	1016904	Gasket, Exhaust (FE400 engine) .....	1
13	1015845	Bracket, Governor Cable Engine .....	1

10

G

**10**

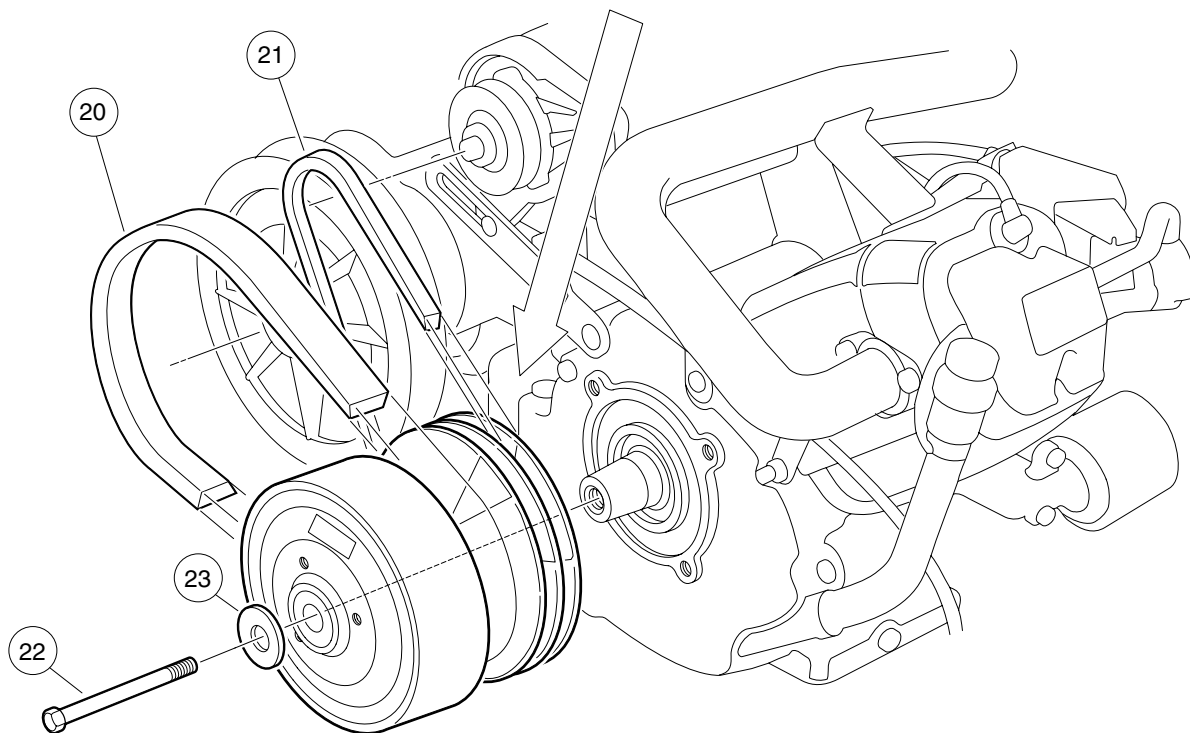
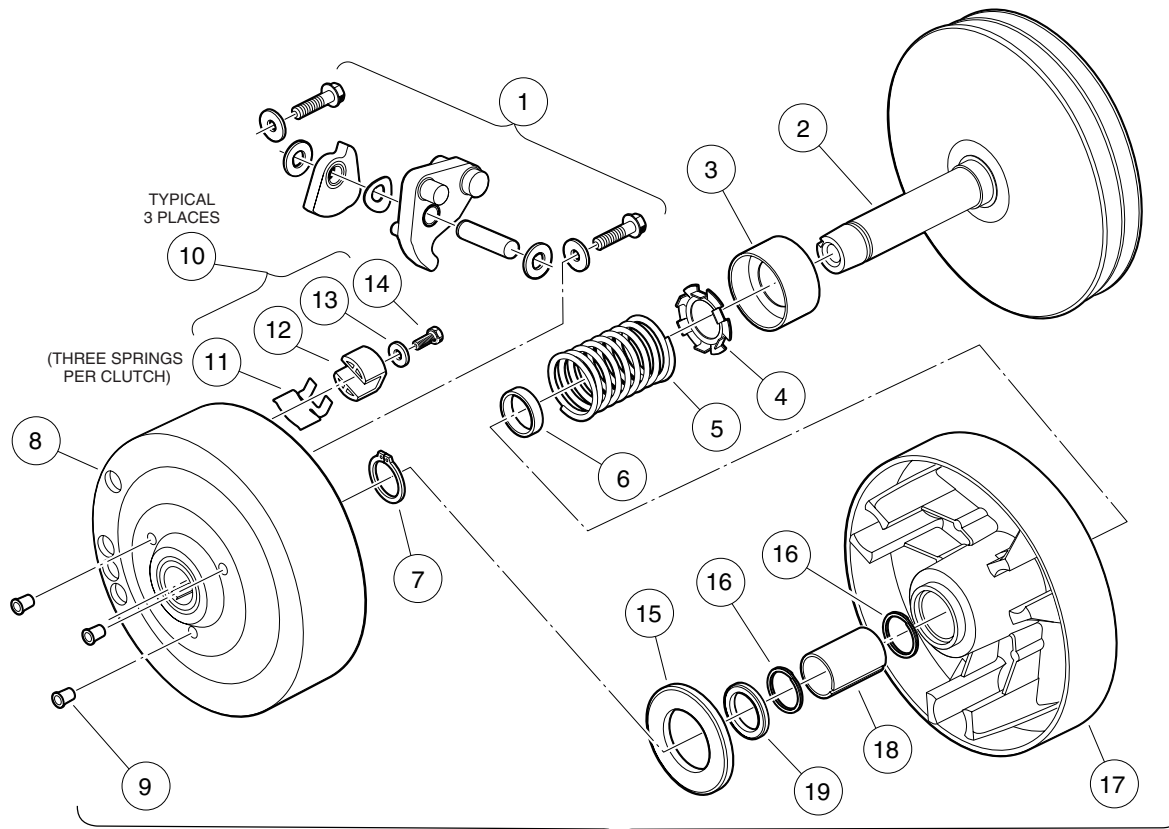
**G**

# TORQUE CONVERTER

---

11

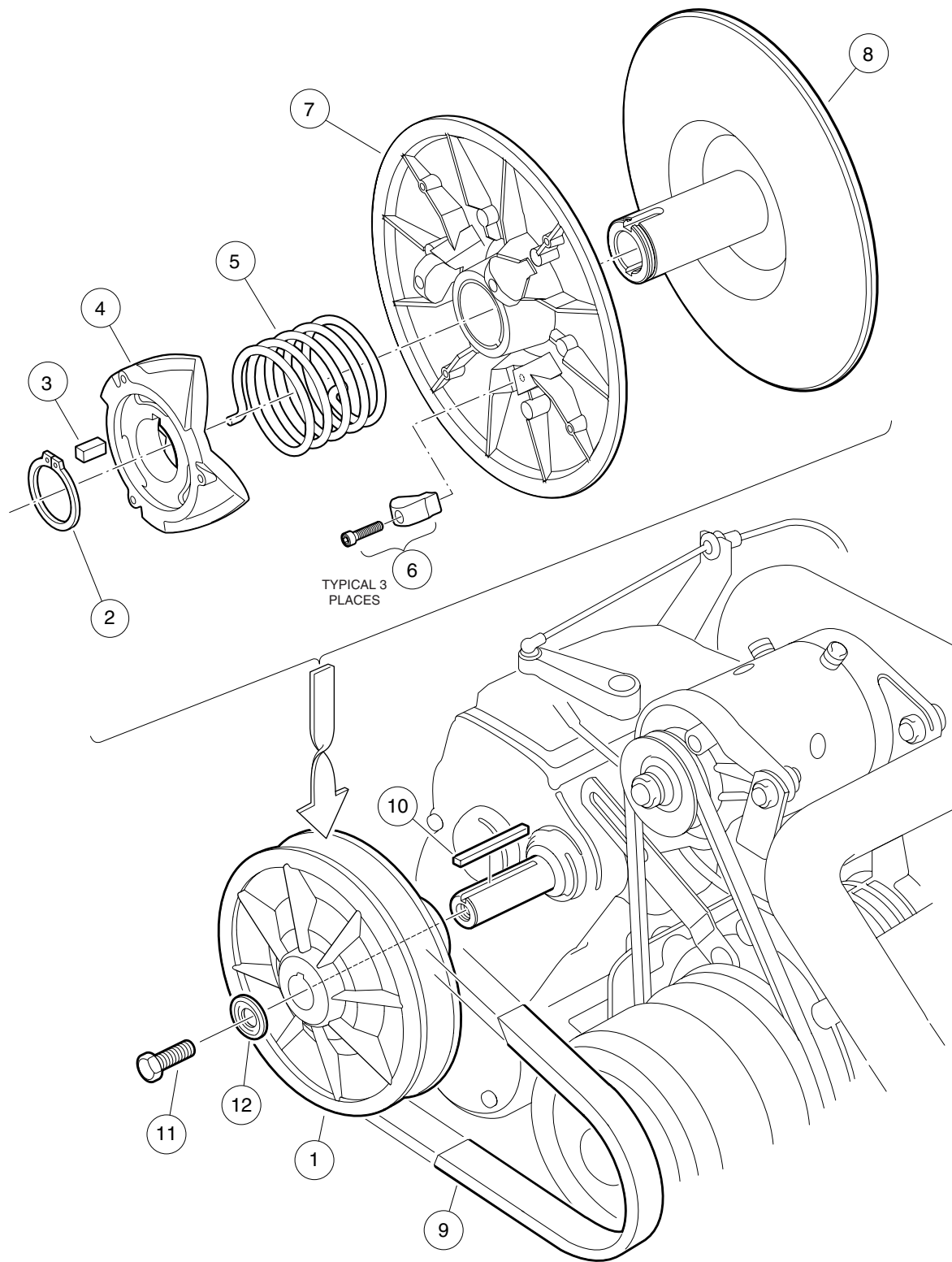
G



# DRIVE CLUTCH

ITEM	PART NO.	DESCRIPTION	QTY
		1 2 3 4	
	101833904	Assembly, Drive Clutch (FE350 engine) (includes items 1 - 19) .....	1
	101833908	Assembly, Drive Clutch (FE400 engine) (includes items 1 - 19) .....	1
1	1016801	Kit, Drive Clutch Weight .....	1
2	101738301	Assembly, Fixed Face .....	1
3	1014049	Bearing, Idler .....	1
4	1014050	Retainer, Spring .....	1
5	1016901	Spring, Drive Clutch – Green (used in 101833904 only) .....	1
5	102266201	Spring, Drive Clutch – Red (used in 101833908 only) .....	1
6	1016289	Spacer, Fixed Face Shaft .....	1
7	1014057	Ring, Retaining .....	1
8	1014059	Assembly, Drive Hub .....	1
9	101925601	Plug, Drive Clutch .....	1
10	1014453	Kit, Drive Clutch Button (includes item 11 - 14) .....	1
11	1014287	Spring, Drive Button .....	3
12	1014062	Driver, Drive Clutch .....	3
13	183	Washer, Flat, #10, Type A .....	3
14	8450	Screw, Hex-Head, #10-24 x 1/2 .....	3
15	1014058	Washer, Thrust .....	1
16	1014056	Ring, Spiral Back-Up .....	2
17	1014052	Assembly, Moveable Face (includes items 18 and 19) .....	1
18	N/A	Bushing .....	1
19	1014055	Retainer .....	1
20	102267101	Belt, Drive (FE350 and FE400) .....	1
21	101916701	Belt, Starter/Generator .....	1
22	101916501	Screw, Hex-Head Cap, 3/8-24 x 5-1/2 (left-hand threads) .....	1
23	1017328	Washer, Drive Clutch – Green .....	1

**11**  
**G**



# DRIVEN CLUTCH

ITEM	PART NO.	DESCRIPTION	QTY
		1 2 3 4	
1	101834001	Assembly, Driven Clutch (includes items 2 - 8) .....	1
2	1014080	Ring, Retaining .....	1
3	1014078	Key .....	1
4	1017686	Cam .....	1
5	101836201	Spring – Green .....	1
6	1014454	Kit, Driven Clutch Button (includes 3 screws and 3 buttons) .....	1
7	1014072	Assembly, Moveable Face with Bushing .....	1
8	1014070	Face, Fixed .....	1
9	102267101	Belt, Drive (FE350 and FE400) .....	1
	AM10419	Kit, Driven Clutch Hardware Repair (includes items 10 - 12) .....	1
10	101833401	Key, Square Transmission .....	1
11	102242101	Screw, Hex-Head Cap, Thread-Locking, 5/16-18 x 3/4 .....	1
12	1017327	Washer, Driven Clutch .....	1

11

G

**11**

**G**

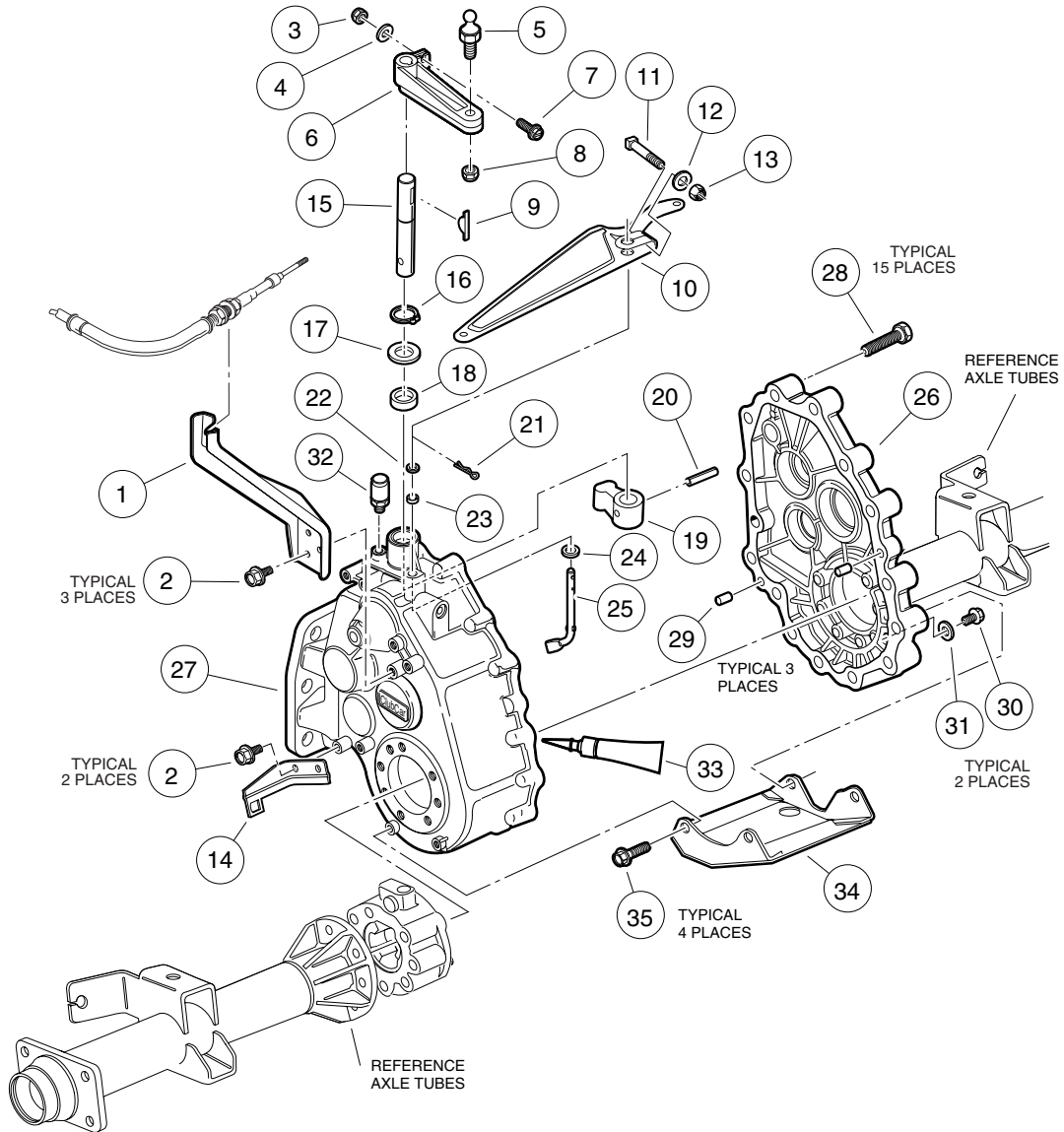


# UNITIZED TRANSAXLE

---

12

G

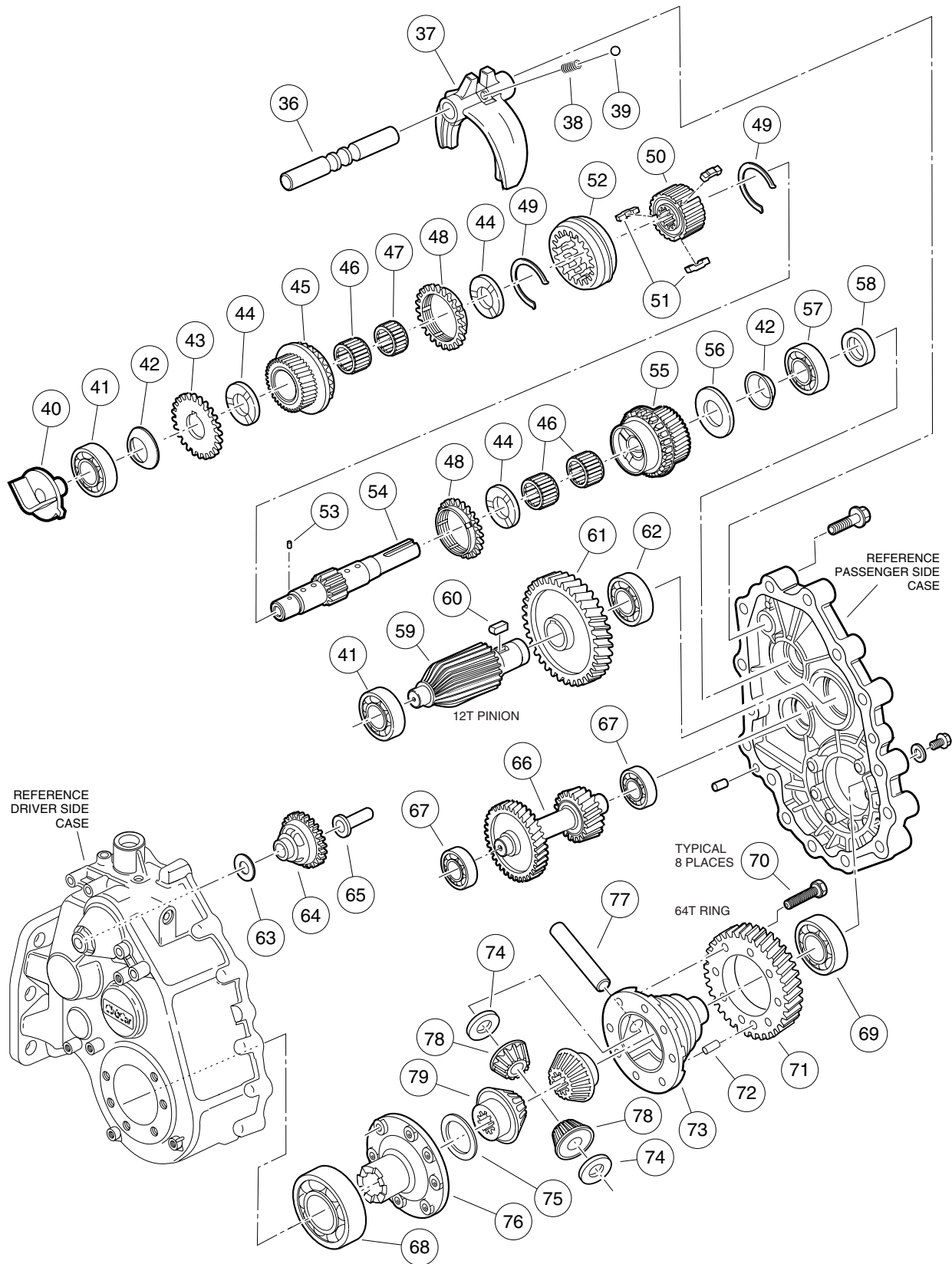


# UNITIZED TRANSAXLE, MC012C – GEAR CASES, BRACKETS AND GUARD

ITEM	PART NO.	DESCRIPTION	QTY
		1 2 3 4	
1	102045901	Bracket, Transmission Cable Support .....	1
2	1012285	Screw, Thread-Rolling, 1/4-20 x 5/8 .....	5
3	1013061	Nut, Nylon Lock, #10-32 .....	1
4	183	Washer, Flat, Type A, #10 .....	1
5	1010954	Stud, Ball, 1/4-28 x 9/16 .....	1
6	1016341	Lever, Transmission Shifter .....	1
7	1017082	Screw, Hex Washer-Head, #10-32 x 3/4 .....	1
8	8717	Nut, Nylon Lock, 1/4-28 .....	1
9	1017231	Key, Woodruff, Type T .....	1
10	101834801	Arm, Governor Lever .....	1
11	101886101	Screw, Square-Head, 1/4-20 x 1 .....	1
12	1014007	Washer, Type B, 1/4 .....	1
13	8233	Nut, Nylon Lock, 1/4-20 .....	1
14	102018701	Bracket, Differential Lock .....	1
	102264601	Transaxle, Unitized (includes items 15 - 107) .....	1
15	101890201	Shaft, Shifter .....	1
16	101927301	Ring, Snap .....	1
17	101892901	Washer, Flat .....	1
18	101927201	Seal, Oil .....	1
19	101890101	Lever, Shifter .....	1
20	1012752	Pin, Roll .....	1
21	101928601	Pin, Cotter .....	1
22	1016513	Washer, Flat .....	1
23	101927101	Seal, Oil .....	1
24	101893801	Washer .....	1
25	101891301	Arm, Pivot .....	1
26	102018501	Gear Case (passenger side) .....	1
27	102018601	Gear Case (driver side) .....	1
28	101926901	Bolt, Flanged, M8 x 1.25 x 40 mm .....	15
29	1012896	Pin, Dowel (see also page 12-6) .....	3
30	1016576	Plug, Drain .....	2
31	102267601	Gasket .....	2
32	1012711	Breather .....	1
33	101928701	Gasket, Liquid, 8.8 oz. (250 grams) .....	A/R
34	102031501	Guard, Unitized Transaxle .....	1
35	102268601	Bolt, M8 x 1.25 x 20 mm .....	4

12

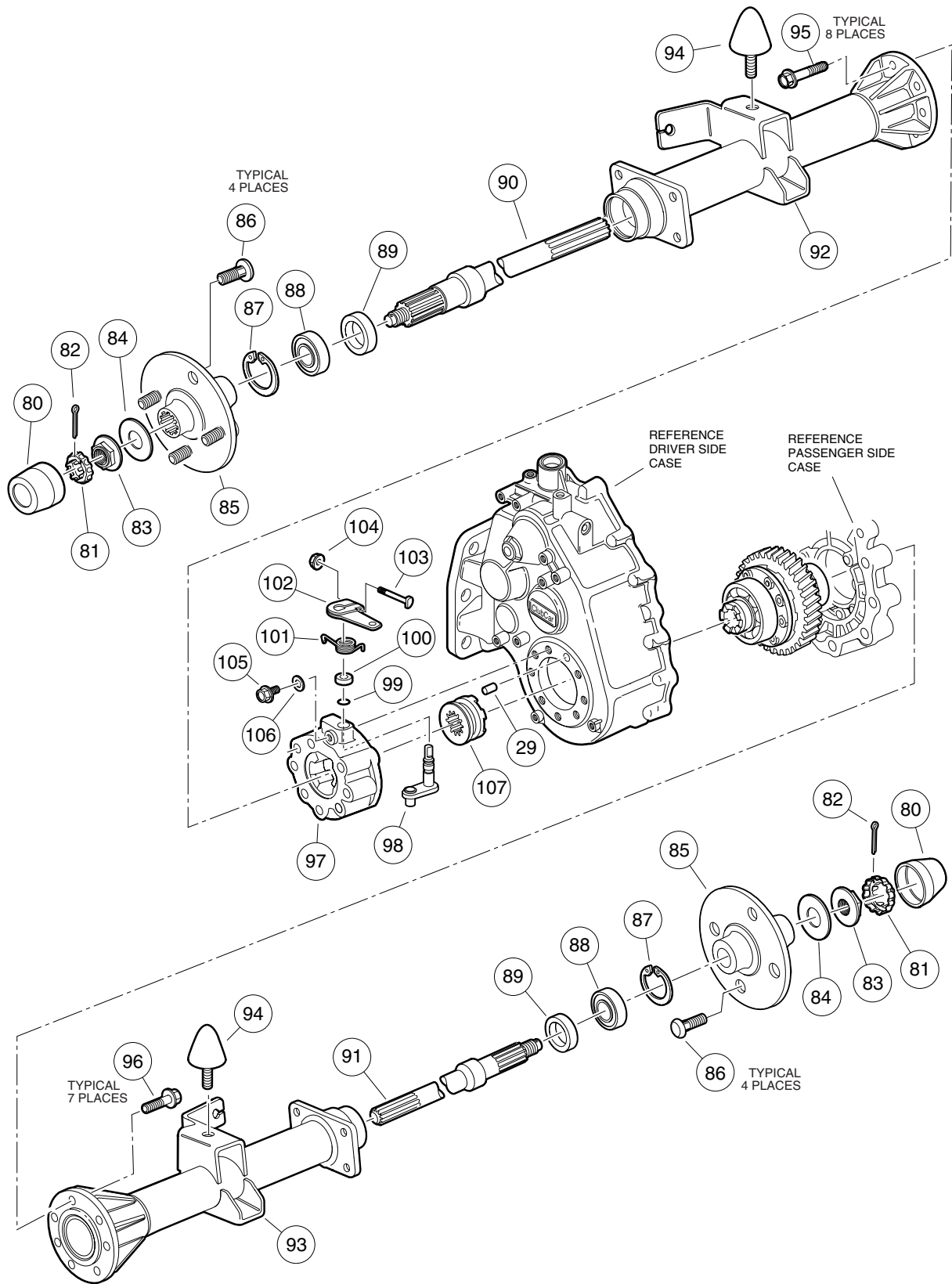
G



# UNITIZED TRANSAXLE, MC012C – F&R TRANSMISSION AND GEAR REDUCTION

12  
G

ITEM	PART NO.	DESCRIPTION	QTY
		1 2 3 4	
36	101892001	Rod, Shift .....	1
37	101890001	Fork, Shift .....	1
38	1012748	Spring .....	1
39	1012747	Ball, Steel .....	1
40	101889401	Guide .....	1
41	7336	Bearing, Ball .....	2
42	1016338	Washer, Spring .....	2
43	101892401	Gear, Spur .....	1
44	101892201	Plate, Thrust .....	3
45	102018801	Gear, Input, 25 Tooth (16°) .....	1
46	101927601	Bearing, Needle .....	3
47	101927501	Bearing, Needle .....	1
48	101981001	Ring, Synchronizer (16°) .....	2
49	1012741	Spring, Synchronizer .....	2
50	101928001	Hub, Synchronizer Clutch .....	1
51	1012740	Insert, Synchronizer .....	3
52	101927901	Sleeve, Synchronizer .....	1
53	101927701	Pin, Dowel .....	1
54	101889901	Shaft, Input .....	1
55	101980801	Gear, Input, 25 Tooth (16°) .....	1
56	1016337	Washer, Thrust .....	1
57	101927801	Bearing, Ball .....	1
58	1012714	Seal, Oil, Input Shaft .....	1
59	102268201	Gear, 12 Tooth .....	1
60	101893201	Key .....	1
61	102018901	Gear, 70 Tooth .....	1
62	102268401	Bearing, Ball .....	1
63	101893901	Washer .....	1
64	101892301	Governor .....	1
65	101891601	Sleeve .....	1
66	102019001	Gear, Cluster Idler .....	1
67	7335	Bearing, Ball .....	2
68	102032001	Bearing, Inner Axle Tube, Driver-Side .....	1
69	7330	Bearing, Inner Axle Tube, Passenger-Side .....	1
70	101928301	Bolt, M8 x 1.25 x 37 mm .....	8
71	102268301	Gear, Output, 64 Tooth .....	1
72	102031701	Pin, Dowel .....	1
73	102267901	Case, Gear Carrier .....	1
74	1013774	Plate, Thrust (idler gear) .....	2
75	102268101	Plate, Thrust (differential gear) .....	1
76	102267801	Cover, Gear Case .....	1
77	1013772	Pin, Differential .....	1
78	1013770	Gear, Differential Idler .....	2
79	102268001	Gear, Differential, 16 Tooth .....	2

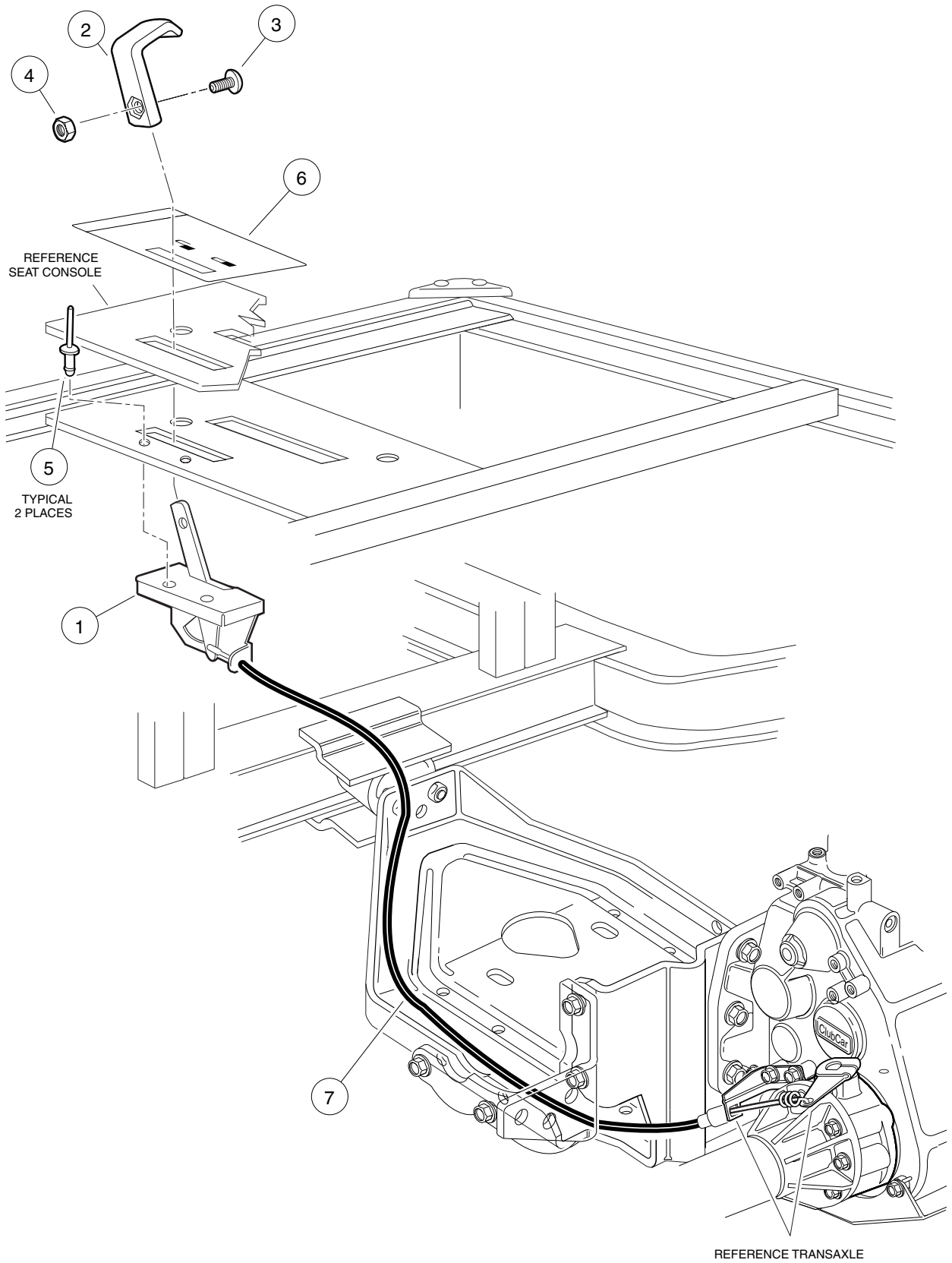


# UNITIZED TRANSAXLE, MC012C – DIFFERENTIAL LOCK AND AXLES

ITEM	PART NO.	DESCRIPTION	QTY
		1 2 3 4	
80	102274101	Cap, Rubber Center .....	2
81	102276001	Cap, Locking .....	2
82	101838801	Pin, Cotter .....	2
83	102269201	Nut, Axle Flange Retaining .....	2
84	102269301	Washer, Flat .....	2
85	102269101	Hub (includes item 86) .....	2
86	1013787	Stud, Lug .....	4
87	1013792	Ring, Retaining .....	2
88	1011291	Bearing, Outer Axle Tube .....	2
89	102269401	Seal, Oil .....	2
90	102269001	Assembly, Axle, Driver-Side .....	1
91	102268901	Assembly, Axle, Passenger-Side .....	1
92	102268801	Assembly, Axle Tube, Driver-Side .....	1
93	102268701	Assembly, Axle Tube, Passenger-Side .....	1
94	102188701	Stop, Axle .....	2
95	102019601	Bolt, M10 x 1.5 x 70 mm .....	8
96	102031901	Bolt, M10 x 1.5 x 30 mm .....	7
97	102020101	Housing, Differential Lock .....	1
98	102020201	Lever, Differential Lock .....	1
99	102020301	O-Ring, Differential Lock .....	1
100	102020401	Spacer, Differential Lock .....	1
101	102020501	Spring, Differential Lock .....	1
102	102020901	Arm, Differential Lock Lever .....	1
103	1016686	Bolt, Differential Lock Pinch .....	1
104	1016547	Nut, Flanged, M6 x 1 .....	1
105	102022301	Screw, M6 x 1 x 10 mm .....	1
106	102022401	Washer, M6 .....	1
107	102267701	Cog, Differential Lock, 15 Tooth .....	1

12

G





# UNITIZED TRANSAXLE – DIFFERENTIAL LOCK CABLE ASSEMBLY AND SHIFTER

ITEM	PART NO.	DESCRIPTION	QTY
		1 2 3 4	
1	102025101	Control, Differential Lock .....	1
2	102022201	Handle, Differential Lock .....	1
3	1011017	Bolt, Hex Washer-Head, #8-32 x 3/8 .....	1
4	1011571	Nut, Hex, #8-32 .....	1
5	101880901	Rivet, Pop .....	2
6	102046601	Decal, Differential Lock Control Warning .....	1
7	102031201	Cable, Differential Lock (Turf 272 and Carryall 272) .....	1
7	102316701	Cable, Differential Lock (Carryall 472) .....	1

12

G

**12**

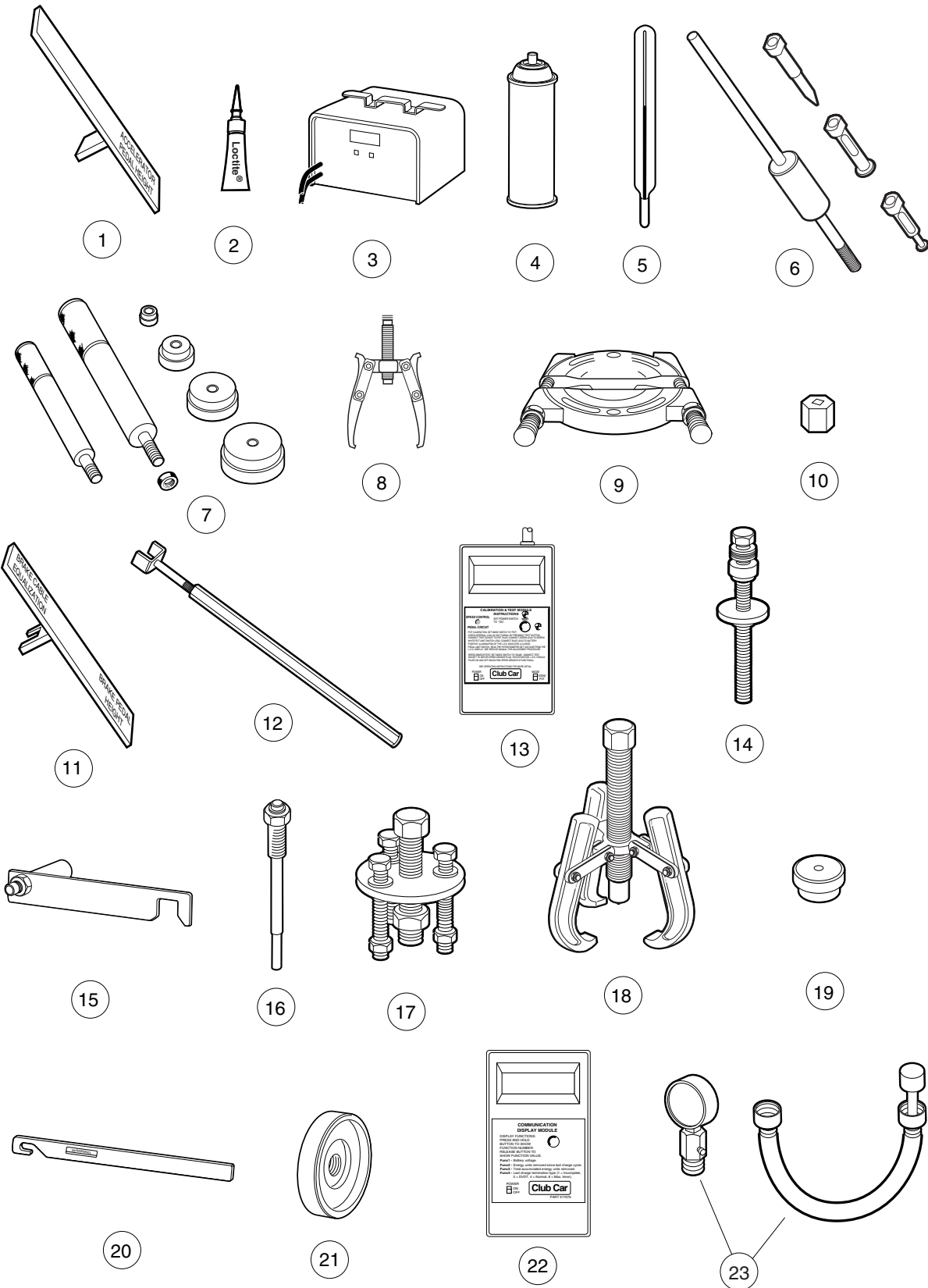
**G**

# MAINTENANCE AND SERVICE TOOLS

---

13

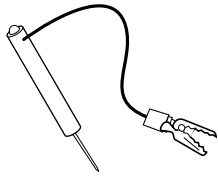
G



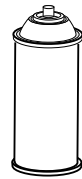
# MAINTENANCE AND SERVICE TOOLS

13  
G

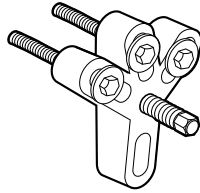
ITEM	PART NO.	DESCRIPTION	QTY
		<p style="margin: 0;">1 2 3 4</p> <p style="margin: 0;">The following tool list includes all tools available from Club Car for maintenance and service procedures for gasoline and electric vehicles, both past and present models. Be sure to carefully examine the tool list for applicability to your vehicle before ordering.</p>	
1	101871001	Accelerator Pedal Adjustment Tool .....	1 1
2	101813202	Adhesive, Guide Ring, 3-Gram Tube .....	1 1
3	101831901	Battery Discharge Machine, 36/48 Volt .....	1
4	1014305	Battery Terminal Protector Spray .....	1 1
5	1011767	Battery Thermometer .....	1
6	1016417	Bearing and Oil Seal Remover Assembly .....	1 1
7	1016416	Bearing Driver Set .....	1 1
8	1012811	Bearing Puller .....	1 1
9	1012812	Bearing Puller Wedge Attachment .....	1 1
10	1013582	Brake Adjustment Tool (used only on vehicles with manually adjusted mechanical brakes) .....	1 1
	102249901	Brake Pedal Adjustment Tool Kit (used for the Carryall electric industrial truck only) (includes items 11 and 12) .....	1
11	****	Brake Pedal Adjustment Tool .....	1
12	****	Brake Pedal Tension Tool .....	1
13	101887101	Calibration Test Module .....	1
14	101808401	Cam Installation Tool .....	1
	1014510	Clutch Tool Kit (includes items 15 - 21) .....	1
15	1014498	Clutch Alignment Tool (for pre-unitized transaxle vehicles built prior to 1997 model year) .....	1
16	1014496	Drive Clutch Puller .....	1
17	1014497	Drive Clutch Hub Puller .....	1
18	1014508	Driven Clutch Cam Puller .....	1
19	1014507	Driven Clutch Puller Plug .....	1
20	1015524	Drive Clutch Holder Tool Assembly .....	1
21	101809101	Press Weldment .....	1
22	101831801	Communication Display Module .....	1
23	101641002	Compression Gauge and Adapter .....	1
		<p>Please refer to the maintenance and service manual for proper tool application.</p> <p>**** Special order item available upon request</p>	



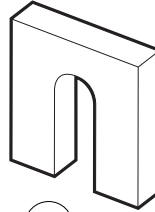
24



25



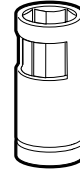
26



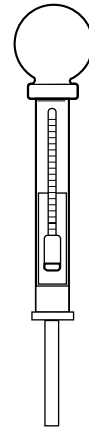
27



28



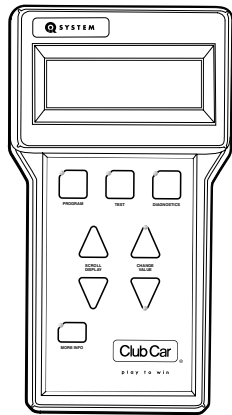
29



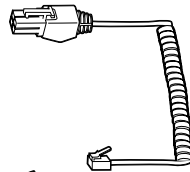
30



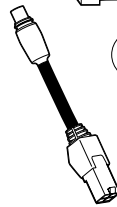
31



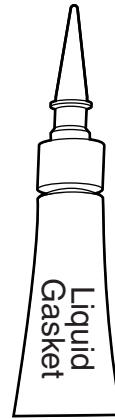
32



33



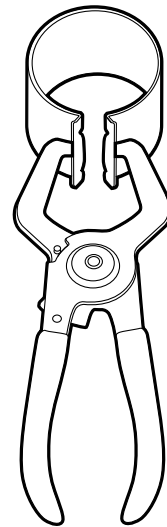
34



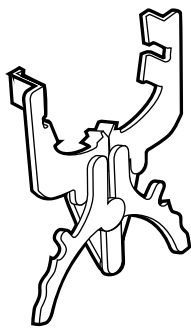
35



36



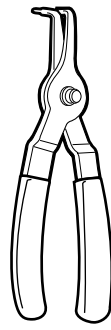
37



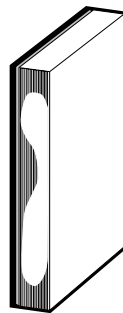
38



39



40



41



42



43



44



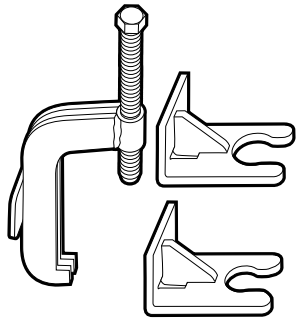
45

# MAINTENANCE AND SERVICE TOOLS, CONTINUED

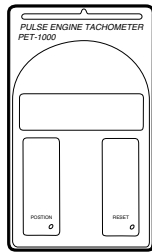
ITEM	PART NO.	DESCRIPTION	QTY
		1 2 3 4	
24	1011273	Continuity Tester .....	1 1
25	1012151	Dry Moly Lubricant .....	1 1
26	1016627	Flywheel Puller Kit .....	1
27	1016418	Gear Yoke .....	1 1
28	101933101	Governor Shaft Installation Tool .....	1
29	102169401	Hydraulic Brake Adjuster (for vehicles equipped with hydraulic brakes) .....	1
30	1011478	Hydrometer .....	1 1
31	1013593	Internal Retaining Ring Pliers .....	1 1
32	102248801	IQ Display Module (IQDM) Kit (for IQ System vehicles only) .....	1
		(includes items 33 and 34)	
33	102241501	Cable, IQDM .....	1
34	102251501	Adaptor, Cable .....	1
35	101928701	Liquid Gasket (transaxle case) .....	1 1
36	102243402	Moly-Teflon Lubricant (4-oz. (113-gram) tube) .....	1
37	1016414	Piston Ring Compressor Kit (FE290, FE350 and FE400 engines) .....	1
38	1016415	Piston Ring Pliers .....	1
39	1012549	Retaining Ring Pliers, 45° External .....	1 1
40	1012560	Retaining Ring Pliers, 90° Internal .....	1 1
41	101823101	Safety First Card (50 per pack) .....	1 1
42	1012809	Seal Puller .....	1 1
43	102330901	Spanner Wrench (for coil over shock front suspension vehicles) .....	1
44	1014264	Steering Column Bearing Press Tool .....	1 1
45	1014259	Steering Column Retaining Ring Tool .....	1 1
		Please refer to the maintenance and service manual for proper tool application.	

13

G



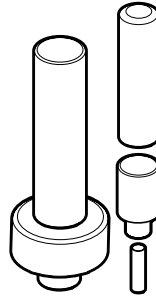
46



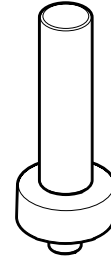
47



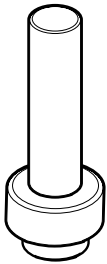
48



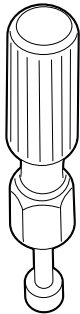
49



50



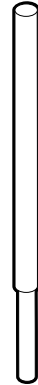
51



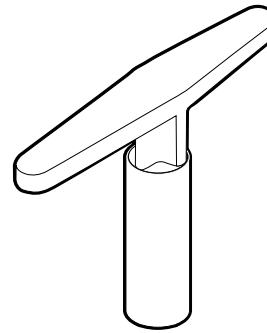
52



53



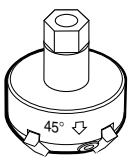
54



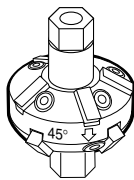
55



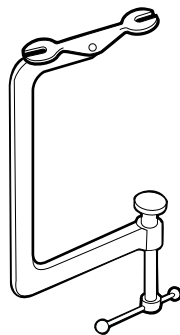
56



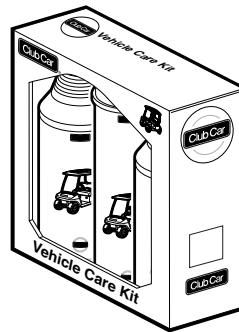
57



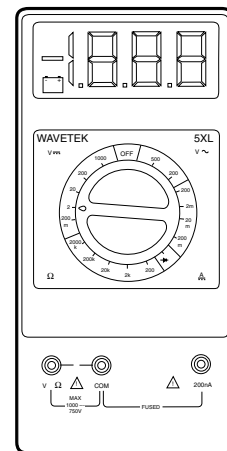
58



59



60



61



# MAINTENANCE AND SERVICE TOOLS, CONTINUED

ITEM	PART NO.	DESCRIPTION	QTY
		1 2 3 4	
46	102061201	Steering Wheel Puller Tool .....	1
47	1016112	Tachometer .....	1
48	101997201	Paint, Touch-Up – Beige .....	1
48	101997202	Paint, Touch-Up – White .....	1
48	101997203	Paint, Touch-Up – Red .....	1
48	101997204	Paint, Touch-Up – Gray .....	1
48	101997205	Paint, Touch-Up – Dark Gray .....	1
48	101997206	Paint, Touch-Up – Royal Blue (Pacific Blue) .....	1
48	101997207	Paint, Touch-Up – Black .....	1
48	101997209	Paint, Touch-Up – Dark Green .....	1
48	101997211	Paint, Touch-Up – Classic Blue (Navy) .....	1
48	101997212	Paint, Touch-Up – Burgundy .....	1
49	1014115	Transmission Tool Kit .....	1
50	1014161	Transaxle Pinion Seal Tool .....	1
51	1014162	Transaxle Axle Seal Tool .....	1
52	1016413	Valve Clearance Adjuster Screw Holder (for FE290 engines only) .....	1
53	101641201	Valve Guide Reamer .....	1
54	101641202	Arbor .....	1
55	1016551	Valve Seat Cutter T-Wrench .....	1
56	1016552	Valve Seat Cutter Guide .....	1
57	1016553	Valve Seat Cutter, 45° (32 mm diameter) (for FE290 engines only) .....	1
58	1016554	Valve Seat Cutter, 45°/30° (35 mm diameter) .....	1
59	101641101	Valve Spring Compressor .....	1
60	AM10021	Vehicle Care Kit .....	1
61	1011480	Volt Ohm Meter .....	1
62	101611003	Tune-Up Kit, All OHV (includes air filter, spark plug, oil filter, fuel filters) (not shown) .....	1
<p>Please refer to the maintenance and service manual for proper tool application.</p>			

13

G

**13**

**G**

# INDEX

## Part Number and Page

AM10021	13-7	8251	1-7	1012528	10-3, 10-5
AM10419	11-5	8450	11-3	1012549	13-5
AM10724	8-5, 8-17	8639	7-21	1012560	13-5
183	4-9, 4-11, 1-3, 7-21, 9-15, 9-17, 11-3, 12-3	8717	7-15, 7-17, 7-19, 12-3	1012565	6-3
304	1-19, 1-21	8754	1-11, 1-15, 4-13, 5-5, 6-3, 6-7, 6-9, 7-27	1012566	6-3
320	6-3	8755	1-11, 1-15	1012571	8-27
332	1-3, 1-5, 1-7, 1-9, 1-13, 1-17, 1-19, 1-21, 5-5, 9-5, 9-15, 9-17, 10-3, 10-5	8935	1-5	1012594	7-15
334	1-9, 5-5, 6-3, 6-5	8990	6-5, 7-23	1012604	6-3
357	1-19	1010028	6-7	1012605	6-3
403	1-11, 1-15	1010138	6-5	1012649	9-3, 9-5
451	1-5, 10-3, 10-5	1010145	6-9	1012711	12-3
705	1-11, 1-15, 1-19, 4-13, 7-27	1010150	6-7	1012714	12-5
706	1-19	1010434	1-7, 1-13, 1-17	1012740	12-5
808	6-9	1010435	1-11, 1-15	1012741	12-5
1016	7-21	1010543	1-7	1012747	12-5
1028	5-3	1010545	1-3	1012748	12-5
1032	1-13, 1-17	1010577	8-27	1012752	12-3
1035	1-9	1010829	4-5, 4-13	1012809	13-5
1231	1-13, 1-17	1010878	1-9, 5-3	1012811	13-3
1241	1-3, 1-13, 1-17, 1-19, 1-21, 4-7, 5-3, 5-5, 7-17, 7-19, 7-27, 7-29, 10-5	1010909	7-21	1012812	13-3
1242	1-13, 1-17, 1-19, 1-21, 7-17, 7-19, 7-27	1010921	1-3, 5-3	1012830	1-5, 7-27, 10-3, 10-5
1606	1-3, 9-15	1010934	1-13, 1-17, 1-19, 1-21, 4-7, 6-7, 7-29	1012896	12-3
1624	5-5, 6-5	1010954	7-15, 7-17, 7-19, 12-3	1012981	8-5, 8-17
1631	9-15, 9-17	1010984	2-3, 4-3, 4-5, 6-7	1012986	7-23
7048	6-7	1011017	12-9	1012987	7-15
7049	1-13, 1-17	1011084	5-5	1013001	7-25
7173	7-29	1011273	13-5	1013003	7-25
7174	1-3, 1-13, 1-17, 1-19, 1-21, 6-3, 7-27, 9-13, 10-3, 10-5	1011291	12-7	1013005	7-25
7270	6-7, 6-9	1011402	5-3	101301102	7-25
7310	2-3	1011415	6-9	1013035	6-5
7311	1-5	1011478	13-5	1013042	6-5
7330	12-5	1011480	13-7	1013044	6-5
7335	12-5	1011553	1-19, 1-21, 3-7, 3-11	1013051	6-5
7336	12-5	1011571	12-9	1013052	6-5
7410	1-3	1011652	1-5	1013061	12-3
7473	1-3, 1-5, 1-11, 1-15, 4-7, 5-3, 5-5, 6-7, 7-17, 7-19, 7-29	1011694	5-5	1013309	1-7
7479	4-9, 4-11	1011697	1-5, 9-13	1013311	1-7
7532	1-15	1011700	5-5	1013312	1-7
7716	5-3, 5-5	1011734	5-5	1013317	1-17
7818	7-17, 7-19	1011767	13-3	1013357	7-21
7847	1-5, 1-9, 10-3, 10-5	1011988	9-3	1013366	4-5, 4-13
7893	7-15, 7-17, 7-19, 7-21	1011990	1-13, 1-17, 1-19, 4-13	1013461	7-21
7973	9-15, 9-17	1012151	13-5	1013483	1-19
8057	7-15, 7-17	1012164	8-27	1013531	4-7, 4-13
8058	7-15, 7-17	1012285	1-3, 1-19, 1-21, 4-11, 7-15, 9-3, 9-5, 9-13, 12-3	1013582	13-3
8067	6-7	1012295	7-17, 7-19	1013587	7-15
8168	9-17	1012303	1-11, 1-15, 6-9	1013589	7-15, 7-17, 7-19
8233	1-9, 1-13, 1-17, 1-19, 1-21, 4-9, 4-11, 5-5, 7-15, 9-5, 12-3	1012328	7-29	1013590	7-15
8248	7-15, 9-3, 9-5	1012333	7-15	1013591	7-15
		1012382	7-5, 7-9, 7-13	1013593	13-5
		1012412	1-5	1013609	7-17, 7-19
		1012431	7-15, 7-17	1013630	9-5
		1012438	9-15, 9-17	1013687	9-3, 9-5
				1013692	9-3, 9-5
				1013700	9-13
				1013734	1-5, 10-3, 10-5

# INDEX

1013746	9-3, 9-5, 9-11	1014508	13-3	1015649	8-3, 8-15
1013770	12-5	1014510	13-3	1015737	7-5, 7-9, 7-13, 7-17, 7-19
1013772	12-5	1014513	1-13, 1-17	1015741	7-17, 7-19
1013774	12-5	1014514	1-13, 1-17	1015752	7-17, 7-19, 9-15, 9-17
1013787	4-3, 6-7, 12-7	1014523	9-3	1015769	7-5, 7-9, 7-13
1013792	12-7	1014524	9-3, 9-5	1015777	7-17, 7-19
1013857	7-23	1014537	1-13, 1-17	1015814	10-3, 10-5
1013871	5-5	1014555	6-7	1015845	9-13, 10-5
1013924	4-3, 4-5, 8-27	1014727	7-15	101584502	9-13
1014007	4-9, 4-11, 12-3	1014807	7-15, 7-17	1015878	7-17
1014049	11-3	1014808	7-17	1015932	7-27
1014050	11-3	1014928	9-3	1015969	8-3, 8-15
1014052	11-3	1014948	7-19	1016004	9-3
1014055	11-3	1015064	7-15	1016060	1-9
1014056	11-3	1015075	10-3	1016074	7-27
1014057	11-3	1015137	9-3, 9-5, 9-11	1016078	1-9
1014058	11-3	1015139	9-3, 9-5, 9-17	101609401	3-3, 3-5, 3-9
1014059	11-3	1015143	9-3, 9-5	101611003	13-7
1014062	11-3	1015188	9-3, 9-5	1016112	13-7
1014065	7-15, 7-17, 7-19	101524002	7-27	1016154	6-3
1014070	11-5	1015245	1-13, 1-17	1016156	6-3
1014072	11-5	1015252	1-11	1016201	1-9, 7-15
1014078	11-5	1015277	1-9	1016202	9-13
1014080	11-5	1015313	1-13, 1-17	1016214	6-3
1014089	7-15	1015332	7-5, 7-9, 7-13, 8-3, 8-15	1016219	6-3
1014115	13-7	1015345	7-17, 7-19	1016289	11-3
1014116	9-3, 9-5	1015356	1-11, 1-15	1016337	12-5
1014119	7-5, 7-9, 7-13, 7-17	1015363	1-13, 1-17	1016338	12-5
1014125	6-3	1015365	1-17	1016341	12-3
1014126	6-3	1015367	1-17	1016342	7-15
1014136	4-9, 4-11	1015371	7-17, 7-19	1016346	6-7
1014145	7-15, 7-17, 7-19	1015372	7-17, 7-19	1016356	7-21
1014161	13-7	1015373	7-17, 7-19	1016380	7-5, 7-9, 7-13
1014162	13-7	1015390	1-13, 1-17	1016387	6-7
1014213	6-3	1015391	1-11, 1-15	1016389	6-7
1014214	6-3	1015399	1-11, 1-13, 1-15, 1-17	101641002	13-3
1014217	6-3	1015400	1-11, 1-13, 1-15, 1-17	101641101	13-7
1014259	13-5	1015405	7-17, 7-19	101641201	13-7
1014264	13-5	1015408	9-13	101641202	13-7
1014287	11-3	1015409	7-15	1016413	13-7
1014288	7-29	1015413	1-17	1016414	13-5
1014289	7-25	1015414	1-17	1016415	13-5
1014305	13-3	1015426	9-15, 9-17	1016416	13-3
1014306	1-19, 1-21	101542901	1-11	1016417	13-3
1014321	1-5, 1-7, 1-13, 1-17	1015445	1-19	1016418	13-5
1014375	7-29	1015453	6-9	1016423	7-17, 7-19
1014387	1-5, 1-7, 1-13, 1-17	101547601	3-7, 3-11	101642575	9-7
1014413	9-13	1015507	1-11, 1-15	101642578	9-7
1014415	1-13, 1-17	1015524	13-3	101642580	9-7
1014453	11-3	1015530	1-19, 1-21	101642582	9-7, 9-9
1014454	11-5	101553901	1-13, 1-17, 3-3, 3-5, 3-9	101642585	9-7, 9-9
1014471	1-11, 1-15	1015583	1-11, 1-15, 6-9	101642588	9-9
1014496	13-3	1015597	6-7	1016429	8-7, 8-19
1014497	13-3	1015606	1-17	1016432	8-7, 8-19
1014498	13-3	101562710	1-7	1016436	8-9, 8-21
1014507	13-3	101564505	1-7	1016437	9-7, 9-9

# INDEX

1016438	9-11	1016562	8-5, 8-13, 8-17, 8-25	1017434	8-9
1016440	9-11	1016563	8-9, 8-21	1017435	8-9
1016441	9-11	1016564	8-11, 8-23	1017442	8-7, 8-19
1016442	8-9, 8-21	1016566	8-9, 8-21	1017443	8-11, 8-23
1016444	9-11	1016569	8-9, 8-21	1017444	8-9, 8-21
1016445	8-5, 8-17	1016570	8-7, 8-19	1017445	8-9, 8-21
1016449	8-9, 8-21	1016571	8-13, 8-25	1017446	8-9, 8-21
1016450	8-9, 8-21	1016572	9-11	1017447	8-11, 8-23
1016452	8-9, 8-21	1016574	9-9	1017448	8-5, 8-17
1016454	8-11, 8-23	1016576	8-7, 8-19, 12-3	101744901	8-13
1016455	8-5, 8-17	1016578	8-5, 8-17	101744902	8-13
1016456	8-3, 8-5, 8-15, 8-17	1016579	8-5, 8-17	1017450	8-13, 8-25
1016457	8-7, 8-19	1016581	8-7, 8-19	101745101	8-13
1016458	8-9, 8-21	1016582	9-11	101745102	8-13
1016467	8-7, 8-19	1016583	8-9, 8-21	1017453	8-13
1016470	8-13, 8-25	1016584	8-11, 8-23	1017454	8-9, 8-21
1016472	8-11, 8-23	1016585	9-7, 9-9	1017455	8-5, 8-17
1016473	8-7, 8-19	1016586	8-5, 8-17	1017456	8-7, 8-19
1016474	8-9, 8-21	1016587	8-5, 8-17	101745701	8-13, 8-25
1016479	8-9, 8-21	1016588	8-5, 8-17	101745702	8-13, 8-25
1016480	9-11	1016627	13-5	1017458	8-7, 8-19
101648102	9-11	1016630	7-23	1017460	8-7, 8-19
101648203	8-7, 8-19	1016663	6-3	1017461	9-7, 9-9
1016483	8-9, 8-21	1016723	1-7	1017463	8-5, 8-17
1016486	9-7, 9-9	101672701	7-15	1017466	9-11
1016489	8-9, 8-21	101674702	5-5	1017471	8-13, 8-25
101649002	9-11	1016751	1-7	1017472	8-11
1016494	8-11, 8-23	101675506	1-7	1017473	8-9, 8-21
1016496	8-11, 8-23	101677705	1-7	1017474	8-3, 8-15
1016497	8-5, 8-17	1016801	11-3	1017475	8-3, 8-15
1016499	9-7, 9-9	1016849	7-21	1017476	8-3, 8-15
1016501	9-7, 9-9	1016851	7-21	1017483	8-13
1016502	8-7, 8-19	1016859	7-21	1017484	8-13
1016506	8-11, 8-23	1016879	7-21	1017486	8-3, 8-15
1016507	8-3, 8-15	1016880	7-21	1017487	8-11, 8-23
1016510	8-11	1016883	7-27	1017490	8-5, 8-17
1016513	12-3	1016901	11-3	1017500	8-3, 8-15
1016517	8-9, 8-21	1016904	10-3, 10-5	1017501	8-13, 8-25
1016519	8-9, 8-21	1016947	7-15	1017502	8-13, 8-25
1016521	8-11, 8-23	101705701	3-9	1017503	8-13, 8-25
1016531	8-3, 8-15	1017062	7-21	1017504	8-11
1016535	8-11, 8-23	1017064	7-21	1017507	8-7, 8-19
1016537	8-7, 8-19	1017065	7-21	1017508	8-11, 8-23
1016538	8-11, 8-23	1017082	12-3	1017510	8-13, 8-25
1016539	8-3, 8-15	1017226	6-3	1017511	8-23
1016541	8-13, 8-25	1017231	12-3	1017513	8-11
1016544	8-5, 8-9, 8-11, 8-17, 8-21, 8-23	1017233	4-3, 4-5	1017514	8-11, 8-23
1016546	9-13	1017273	6-3	101751801	8-11, 8-23
1016547	8-3, 8-13, 8-15, 8-25, 9-11	1017315	6-3	101751802	8-11, 8-23
1016549	8-9, 8-21	1017327	11-5	101751803	8-11, 8-23
1016551	13-7	1017328	1-9, 11-3	1017653	7-25
1016552	13-7	1017378	5-5	1017686	11-5
1016553	13-7	1017380	5-5	1017689	10-3, 10-5
1016554	13-7	101738301	11-3	1017696	5-5
1016560	8-9, 8-21	1017384	1-3	1017721	7-21
1016561	8-5, 8-17	1017424	5-5	101773301	8-13, 8-25

# INDEX

101773302	8-13, 8-25	101837301	7-5, 7-9, 7-13, 7-27	101894303	1-7
101773303	8-13, 8-25	101838801	4-5, 6-7, 12-7	101894701	1-17
101773304	8-13, 8-25	101856102	7-17, 7-19	101896501	7-25
101773305	8-13, 8-25	101859401	10-3	101896901	9-3, 9-5
101773306	8-13, 8-25	101861901	5-5	101898001	7-29
101773307	8-13, 8-25	101869302	7-25	101900802	4-13, 6-9
101773308	8-13, 8-25	101871001	13-3	101903101	6-7
101773309	8-13, 8-25	101874901	7-25	101903501	9-13
101773310	8-13, 8-25	101875001	7-25	101905901	9-7, 9-11
101773311	8-13, 8-25	101875101	7-25	101909201	8-5, 8-17
101796201	5-5	101875201	7-25	101909301	8-5, 8-17
1017976	1-15	101875301	7-25	101909401	8-5, 8-17
101804301	9-15, 9-17	101875401	7-25	101909501	8-5, 8-17
101806102	4-7	101875501	7-25	101915201	3-7, 3-11
101808401	13-3	101875601	7-25	101916001	8-13
101809101	13-3	101875701	7-25	101916101	8-3
101811301	9-17	101875802	7-25	101916201	8-5, 8-17
101811901	9-15, 9-17	101876001	7-25	101916301	8-5, 8-17
101812301	9-15, 9-17	101876202	7-25	101916501	11-3
101813001	9-15, 9-17	101876301	7-25	101916701	7-27, 11-3
101813202	13-3	101876402	7-25	101916901	5-5
101817401	5-5	101876501	7-25	101917601	9-15, 9-17
101818801	5-5	101877601	7-25	101921501	9-15, 9-17
101821501	9-15, 9-17	101877701	7-25	101921601	1-9
101822001	5-5	101878101	7-25	101922302	8-13
101823101	13-5	101879001	7-25	101922801	1-9
101824401	9-3, 9-5	101879401	6-5	101925601	11-3
101825101	3-3	101879701	6-5	101925701	9-15, 9-17
101825102	3-5, 3-9	101879801	6-5	101926801	9-15
101825701	9-17	101879901	6-5	101926802	9-17
101827101	8-27	101880201	6-5	101926901	12-3
101831801	13-3	101880901	4-13, 12-9	101927101	12-3
101831901	13-3	101881101	8-5, 8-17	101927201	12-3
101832001	4-13	101881701	9-15, 9-17	101927301	12-3
101832101	8-27	101884801	8-27	101927501	12-5
101832201	9-13	101886101	12-3	101927601	12-5
101832202	9-13	101887101	13-3	101927701	12-5
101832301	9-13	101887601	1-5, 8-3, 8-15	101927801	12-5
101832302	9-13	101888501	1-7	101927901	12-5
101832402	9-13	101888502	1-7	101928001	12-5
101832501	9-13	101889401	12-5	101928301	12-5
101832601	8-27	101889901	12-5	101928601	12-3
101832701	8-27	101890001	12-5	101928701	12-3, 13-5
101832901	8-27	101890101	12-3	101933101	13-5
101833101	8-27	101890201	12-3	101933701	9-15, 9-17
101833301	8-27	101891301	12-3	101939901	7-25
101833401	11-5	101891601	12-5	101946201	1-7
101833701	7-25, 7-27	101892001	12-5	101953001	5-3
101833904	11-3	101892201	12-5	101953105	4-7, 5-3
101833908	11-3	101892301	12-5	101954301	1-7
101834001	11-5	101892401	12-5	101955301	9-3
101834601	8-27	101892901	12-3	101958102	9-15
101834801	12-3	101893201	12-5	101958601	1-7
101835601	1-7, 1-9, 1-11, 1-15	101893801	12-3	101958602	1-9
101836201	11-5	101893901	12-5	101960201	3-3, 3-5
101837101	9-15, 9-17	101894302	1-13	101960501	3-7, 3-11

# INDEX

101963301	1-7	102019601	12-7	102033001	4-9
101963401	1-7, 1-11, 1-13, 1-15, 1-17, 7-21, 8-27	102020101	12-7	102033101	4-9, 4-11
101963901	1-7	102020201	12-7	102033201	4-7
101964001	1-7	102020301	12-7	102033301	4-3
101966901	5-5	102020401	12-7	102033401	4-5
101971001	9-15, 9-17	102020501	12-7	102033501	4-5
101971301	9-15, 9-17	102020601	12-7	102033701	4-13
101972801	9-15, 9-17	102020801	12-7	102033901	4-13
101973101	9-7	102020901	12-7	102044001	4-9
101973301	9-7	102021401	2-3	102044201	4-3, 6-7
101973401	9-11	102021402	2-3	102044401	4-3, 4-9, 4-11
101979101	7-15	102021501	1-3	102044601	3-3, 3-5, 3-9
101980801	12-5	102021601	1-3	102044701	7-23
101981001	12-5	102021710	1-3	102044702	7-23
101987701	9-3, 9-5	102021714	1-3	102044801	7-23
101987901	7-21	102021801	1-3	102045001	1-3
101988001	7-21	102021901	1-19	102045501	4-3, 4-9, 4-11
101988002	7-21	102022001	1-19	102045601	6-9
101988101	7-21	102022201	12-9	102045701	4-9, 4-11
101988201	7-21	102022301	12-7	102045801	4-9, 4-11
101990701	7-23	102022401	12-7	102045901	7-15, 12-3
101991101	7-23	102022601	6-5	102046501	1-3, 3-7
101997201	13-7	102022801	6-5	102046601	3-3, 3-5, 3-9, 12-9
101997202	13-7	102022901	6-5	102046801	1-13, 3-3
101997203	13-7	102023001	6-7	102047001	1-5
101997204	13-7	102023101	6-7	102048401	1-3
101997205	13-7	102023301	6-5	102048601	6-7
101997206	13-7	102023701	1-5	102049401	4-3, 4-5
101997207	13-7	102024901	1-5	102049501	4-3, 4-5
101997209	13-7	102025001	1-5	102049601	4-3, 4-5
101997211	13-7	102025101	12-9	102049701	4-3, 4-5
101997212	13-7	102025701	1-3	102049901	4-3, 4-5
102003201	9-3, 9-5	102025801	1-3	102050001	4-3, 4-5
102006501	6-9	102026001	5-5	102050101	4-3, 4-5
102010101	6-5	102026401	1-5	102050201	4-3, 4-5
102010201	6-3	102026501	1-5	102050301	4-3
102012301	6-7	102026901	1-5	102050401	4-3, 4-5
102013001	6-3	102028301	4-13	102050501	4-3, 4-5
102013101	6-3	102028401	4-13	102050601	4-3, 4-5
102013601	6-7	102028601	5-3	102050701	4-3, 4-5
102013701	6-7	102028901	5-3	102050801	4-5
102013801	6-7	102029101	3-3, 3-5, 3-9	102050901	4-5
102013901	1-3	102029301	3-3	102050902	4-5
102015701	1-3	102029501	1-5	102051001	4-3, 4-5
102015801	1-3	102029601	1-13	102051101	4-7
102016501	6-7	102029801	1-13	102051201	4-7
102016701	6-7	102030001	1-13	102051301	4-7
102016801	6-7	102030201	1-13	102051401	4-7
102017601	6-7	102030501	1-3	102051601	7-23
102018501	12-3	102031201	12-9	102051701	7-23
102018601	12-3	102031501	12-3	102051901	7-23
102018701	12-3	102031701	12-5	102052301	6-7
102018801	12-5	102031901	12-7	102052401	6-7
102018901	12-5	102032001	12-5	102052701	4-13
102019001	12-5	102032801	4-9, 4-11	102052801	4-13
		102032901	4-9, 4-11	102054201	4-7

# INDEX

102054401	4-7	102266301	6-9	102331201	4-13
102055801	1-3	102267101	11-3, 11-5	102331601	4-11
102056001	1-21	102267301	6-9	102331701	4-11
102056901	1-3	102267601	12-3	102331801	4-11
102057501	4-7	102267701	12-7	102333301	4-11
102057601	4-7	102267801	12-5	102333401	9-5
102058401	1-3	102267901	12-5	102333601	9-5
102059001	1-5	102268001	12-5	102333901	9-5
102059401	1-5	102268101	12-5	102334701	3-9
102059501	1-5	102268201	12-5	102334801	3-9
102060201	1-5	102268301	12-5	102335001	1-15
102061101	1-5	102268401	12-5	102336001	9-13
102061201	13-7	102268601	12-3	102336101	9-13
102065001	6-9	102268701	12-7	102339201	4-7, 4-11
102065103	1-21	102268801	12-7	102345901	3-7, 3-11
102065901	1-11, 1-15	102268901	12-7	102355301	7-29
102066001	1-11, 1-15	102269001	12-7	102430901	8-13
102066701	6-7	102269101	4-5, 12-7	102431001	8-11
102067001	6-7	102269201	4-5, 12-7	58645318	1-19
102068501	1-5	102269301	4-5, 12-7		
102078101	1-3	102269401	12-7		
102100001	6-7	102269701	7-21	<b>A</b>	
102156301	3-5	102269901	8-21	a-arm	6-7
102157001	3-3	102270001	8-21	accelerator cable (fe350 engine)	9-13
102157601	3-5	102270201	8-25	accelerator cable (fe400 engine)	9-13
102158301	3-3	102270301	8-25	accelerator pedal	5-5
102160101	1-3	102270401	8-25	accelerator pedal adjustment tool	13-3
102160501	4-13	102270501	8-25	accelerator pedal return spring cup	5-5
102169401	13-5	102270701	9-9, 9-11	accelerator pivot rod	5-5
102170901	4-13	102271101	8-21	accelerator rod	5-5
102188701	6-9, 12-7	102271201	8-23	a-connector (starter/generator)	7-25
102195201	9-15	102271401	8-23	adaptor, cable (IQDM)	13-5
102223601	7-5, 7-9	102271501	8-25	adhesive, guide ring	13-3
102224001	3-7, 3-11	102271601	8-23	adjuster, axle (brake)	4-3, 4-5
102224301	3-5, 3-9	102271701	9-9	adjuster, hydraulic brake	13-5
102228001	1-3, 3-7, 3-11	102271801	8-25	air box	9-15, 9-17
102231601	3-7, 3-11	102271901	8-25	air box top	9-17
102234901	1-13, 3-5, 3-9	102272001	8-15	air duct	9-15, 9-17
102241501	13-5	102272101	8-23	air duct repair	9-17
102242101	11-5	102272201	8-13, 8-25	air filter	9-15, 9-17
102242701	4-13	102272301	8-23	angle, tailgate	1-13
102243402	13-5	102272501	7-21	arbor	13-7
102247201	4-13	102274101	4-5, 12-7	arm	
102248801	13-5	102274301	3-9	differential lock lever	12-7
102249901	13-3	102274701	3-5	governor lever	12-3
102251501	13-5	102276001	4-5, 12-7	pivot	12-3
102251601	1-19, 1-21	102278001	6-3	rocker	8-9, 8-21
102251701	1-19, 1-21	102278401	9-13	armature	7-25
102256901	6-9	102292801	5-3	armrest	1-5, 1-7
102257201	10-5	102301401	1-9	assembly	
102258701	8-15	102304801	8-9, 8-11	a-arm	6-7
102258801	6-9	102304901	8-21, 8-23	accelerator pedal	5-5
102264001	7-21	102316101	7-13	accelerator rod	5-5
102264601	12-3	102316701	12-9	air box	9-15
102264701	4-5	102323201	5-3	air box top	9-15
102266201	11-3	102330901	13-5	armature	7-25
				axle	12-7



# INDEX

- bearing (steering column) 6-3
  - bolt (float chamber) 9-7, 9-9
  - brake 4-5
  - brake drum 6-7
  - brake drum and hub 4-3
  - brake pedal 5-3
  - carburetor (fe350 engine) 9-7, 9-11
  - carburetor (fe400 engine) 9-9, 9-11
  - connecting rod 8-13, 8-25
  - cylinder head 8-9, 8-21
  - drive clutch (fe350 engine) 11-3
  - drive clutch (fe400 engine) 11-3
  - drive hub 11-3
  - driven clutch 11-5
  - fixed face (drive clutch) 11-3
  - float (carburetor) 9-7, 9-9
  - float chamber 9-7, 9-9
  - front panel (cargo box) 1-13, 1-17
  - headlight 7-21
  - idle screw 9-7, 9-9
  - inner ball joint 6-5
  - master cylinder 4-7
  - moveable face (driven clutch) 11-5
  - pilot air screw 9-7, 9-9
  - scorecard plate 6-3
  - screw (float chamber) 9-7, 9-9
  - side panel (cargo box) 1-13, 1-17
  - steering column 6-3
  - steering gear box 6-5
  - tailgate 1-13
  - tilt bed 1-11
  - turn signal lens 7-21
  - wheel and tire 2-3
  - wire 7-27
  - wire harness 7-5, 7-9, 7-13
  - axle 12-7
  - axle adjuster (brake) 4-3, 4-5
  - axle hardware 4-3, 4-5
  - axle tube 12-7
  - axle, stop 6-9, 12-7
- B**
- backing plate (brake) 4-3, 4-5
  - ball bearing (transaxle) 12-5
  - ball bearing, output shaft 7-25
  - ball joint 6-5, 7-15
  - ball stud 5-5, 7-15, 7-17, 7-19, 12-3
  - ball, steel (transaxle) 12-5
  - ball, steel pressure relief 8-7, 8-19
  - band, rpm limiter mount 8-5, 8-17
  - barb, vent 9-3, 9-5
  - barrel, plastic 1-7, 1-13, 1-17
  - base, forward/reverse shifter 7-15
  - battery
    - 12-volt 7-29
    - clamp 7-29
  - discharge machine 13-3
  - terminal protector spray 13-3
  - thermometer 13-3
  - bearing
    - ball (transaxle) 12-5
    - crankshaft 8-11, 8-23
    - hub 6-7
    - idler (drive clutch) 11-3
    - inner axle tube 12-5
    - lower pinion (steering) 6-5
    - needle 12-5
    - outer axle tube 12-7
    - pivot support 5-5
    - thrust 6-7
    - upper pinion (steering) 6-5
  - bearing and oil seal remover 13-3
  - bearing cup 6-7
  - bearing driver set 13-3
  - bearing puller 13-3
  - bearing puller wedge 13-3
  - bearing retainer (starter/generator) 7-25
  - bearing seat (steering column) 6-3
  - bell crank 4-7
  - bell crank and shaft 7-17, 7-19
  - bell crank, forward/reverse 7-15
  - belt, drive 11-3
  - belt, starter/generator 7-27, 11-3
  - bezel, choke cable 9-15, 9-17
  - bezel, headlight 7-21
  - block, fuse 7-17, 7-19
  - block, terminal 7-21
  - body, front 1-3
  - bolt
    - banjo (brake) 4-3, 4-9, 4-11
    - differential lock pinch 12-7
    - kingpin 6-7
    - u- 6-9
    - wheel cylinder 4-3, 4-5
  - boot
    - park brake lever 4-13
    - rubber 9-3, 9-5
    - steering column 6-3
  - boot (master cylinder) 4-7
  - boot shield 4-13
  - bottom, air box 9-17
  - brace, trailer hitch 1-19
  - bracket
    - accelerator support 9-13
    - adjusting (starter/generator) 7-27
    - differential lock 12-3
    - governor cable engine 9-13, 10-5
    - master cylinder mounting 4-7
    - mounting (headlight) 7-21
    - mounting (starter) 7-27
    - muffler mounting 10-3, 10-5
    - oil filter 8-7, 8-19
  - oil level switch 8-11, 8-23
  - retaining 9-17
  - rpm limiter 8-5, 8-17
  - snubber 8-27
  - support 9-13
  - tailgate 1-13, 1-17
  - throttle 9-11
  - transmission cable support 7-15, 12-3
- bracket (fuel gauge/hour meter) 7-23
- brake 4-5
  - brake adjustment tool 13-3
  - brake cable hanger 4-13, 6-9
  - brake cluster 4-3
  - brake drum 4-3, 4-5, 6-7
  - brake hose 4-9, 4-11
  - brake line 4-9, 4-11
  - brake mounting block 5-3
  - brake pedal 5-3
  - brake pedal adjustment tool 13-3
  - brake pedal tension tool 13-3
  - breather (transaxle) 12-3
  - bronze bushing 6-7, 7-15, 7-17, 7-19
  - brush 7-25
  - brush connector 7-25
  - brush holder 7-25
  - brush inspection port cover 7-25
  - brush spring 7-25
  - bucket seat 1-5
  - bulb, halogen 7-21
  - bumper
    - return spring 5-5
    - rubber 1-9, 5-3
    - seat 1-7
    - tube 1-3
  - bushing
    - bronze 6-7, 7-15, 7-17, 7-19
    - bronze spindle 6-7
    - drive clutch 11-3
    - nylon 1-13, 1-17
    - steel 1-11, 1-15, 6-9
    - tailgate latch 1-17
    - urethane 1-11, 1-15, 6-7, 6-9
- C**
- cable
    - accelerator (fe350 engine) 9-13
    - accelerator (fe400 engine) 9-13
    - accelerator, snap-in 9-13
    - choke 9-15, 9-17
    - choke, bezel 9-15, 9-17
    - differential lock 12-9
    - governor 9-13
    - governor, snap-in 9-13
    - IQDM 13-5
    - park brake 4-13
    - transmission 7-15

# INDEX

- calibration test module 13-3
  - cam (driven clutch) 11-5
  - cam installation tool 13-3
  - cam, electrical box 7-17, 7-19
  - cam, neutral lockout 7-15
  - camshaft 8-11, 8-23
  - cap
    - corner 1-5, 1-7, 1-13, 1-17
    - filler 4-7
    - fuel tank 9-3, 9-5
    - locking 4-5, 12-7
    - rubber center 4-5, 12-7
    - seat back 1-7
    - tuber bumper 1-3
  - carburetor (fe350 engine) 9-7, 9-11
  - carburetor (fe400 engine) 9-9, 9-11
  - card, safety first 13-5
  - care kit, vehicle 13-7
  - cargo box 1-17
  - case
    - gear 12-3
    - gear carrier 12-5
    - rocker 8-9, 8-21
  - choke cable 9-15
  - choke cable bezel 9-15, 9-17
  - choke valve o-ring 9-15
  - circlip, type-e 8-9, 8-21
  - clamp
    - battery 7-29
    - cable retaining 9-13
    - hose 9-3, 9-5, 9-17
    - hose (air intake) 9-15
    - hose (bronze) 9-11
    - hose (gray) 9-3, 9-5, 9-11
    - hose (red) 9-3, 9-5
    - muffler 10-3, 10-5
    - p- 4-9, 4-11
    - plastic (fuel line) 9-3, 9-5
  - clevis pin 4-5, 4-13
  - clevis rod 4-7
  - clip
    - horseshoe 4-9, 4-11
    - scorecard 6-3
  - cluster, brake 4-3
  - clutch alignment tool 13-3
  - clutch tool kit 13-3
  - clutch, drive (fe350 engine) 11-3
  - clutch, drive (fe400 engine) 11-3
  - clutch, driven 11-5
  - cog, differential lock 12-7
  - coil cover shock 6-7
  - coil, field 7-25
  - coil, ignition 8-5, 8-17
  - collet (cylinder head) 8-9, 8-21
  - communication display module 13-3
  - compression gauge 13-3
  - compression mount 6-9
  - compressor, piston ring 13-5
  - compressor, valve spring 13-7
  - connecting rod 8-13, 8-25
  - connecting rod (crankshaft) 8-13, 8-25
  - connector, oil sending unit 8-11, 8-23
  - console cover 1-5
  - continuity tester 13-5
  - control, differential lock 12-9
  - corner cap 1-5, 1-13
  - counterbalance guide shaft 8-13, 8-25
  - counterbalance weight 8-13, 8-25
  - cover
    - brush inspection port 7-25
    - console 1-5
    - crankcase 8-11, 8-23
    - dust 4-3, 4-5, 6-7
    - electrical component box 7-17, 7-19
    - gear case 12-5
    - oil pump 8-7, 8-19
    - vinyl seat back 1-7
    - vinyl seat bottom 1-7
  - crank, bell 4-7
  - crankcase 8-13, 8-25
  - crankshaft 8-13, 8-25
  - cup
    - accelerator pedal return spring 5-5
    - bearing 6-7
    - seat holder 1-5
  - cushion, shock absorber 6-9
  - cutter, valve seat 13-7
  - cylinder head 8-9, 8-21
  - cylinder, master 4-7
  - cylinder, wheel 4-3, 4-5
- ## D
- damper 8-5, 8-17
  - dash hardware 1-3
  - dash panel 1-3
  - dashboard 1-3
  - decal
    - 400cc 3-5
    - bed latch warning 3-3, 3-5, 3-9
    - bed load 1-13, 1-17
    - bed load warning 3-3, 3-5, 3-9
    - Carryall 272 3-5
    - Carryall 472 3-9
    - Club Car 1-3, 3-7, 3-11
    - Club Car tailgate 1-13, 1-17, 3-3, 3-5, 3-9
    - crush area warning 3-3, 3-5, 3-9
    - differential lock control warning 3-3, 3-5, 3-9, 12-9
    - diode wiring 3-7, 3-11
    - driver/passenger warning 3-3, 3-5, 3-9
    - frame ground 3-7, 3-11
    - gasoline warning 3-7, 3-11
    - Ingersoll-Rand (gold) 3-3, 3-5, 3-9
    - key switch 3-3, 3-5, 3-9
    - operating instructions 3-3, 3-5, 3-9
    - passenger warning 3-9
    - rotating parts 3-7, 3-11
    - rotating parts and hot manifold 3-7, 3-11
    - trailer hitch 1-19, 1-21, 3-7, 3-11
    - Turf 272 3-3
    - under age warning 3-3, 3-5, 3-9
    - vehicle loading 3-3, 3-5, 3-9
    - winch cable warning 3-7, 3-11
  - differential gear 12-5
  - differential lock 12-7, 12-9
  - differential pin 12-5
  - diode 7-21
  - diode, flyback 7-19
  - diode, headlight 7-21
  - dipstick 8-3, 8-15
  - double lip seal 6-7
  - drain plug 8-7, 8-19
  - drain plug (transaxle) 12-3
  - drive belt 11-3
  - drive clutch (fe350 engine) 11-3
  - drive clutch (fe400 engine) 11-3
  - drive clutch button 11-3
  - drive clutch holder tool 13-3
  - drive clutch hub puller 13-3
  - drive clutch puller 13-3
  - drive hub 11-3
  - driven clutch 11-5
  - driven clutch cam puller 13-3
  - driven clutch puller plug 13-3
  - driver, drive clutch 11-3
  - drum, brake 4-3, 4-5, 6-7
  - dry moly lubricant 13-5
  - duct, air 9-15
  - dust cover 4-3, 4-5, 6-7
  - dust seal 6-5
- ## E
- e-clip (air box top) 9-15
  - electrical box cam 7-17, 7-19
  - end bell, commutator 7-25
  - end bell, output shaft 7-25
  - engine shroud 8-3, 8-15
  - engine, fe350 ohv gasoline 8-3
  - engine, fe400 ohv gasoline 8-15
  - equalizer 4-13
  - equalizer rod 4-7, 5-3
  - exhaust gasket 10-3, 10-5
  - exhaust system (fe350 engine) 10-3
  - exhaust system (fe400 engine) 10-5
  - exhaust valve 8-9, 8-21

# INDEX

## F

fan housing 8-3, 8-15  
fan shroud 8-3, 8-15  
fan, flywheel 8-5, 8-17  
fe350 ohv gasoline engine 8-3  
fe400 ohv gasoline engine 8-15  
fender, front 1-3  
fender, rear 1-19, 1-21  
field coil (starter/generator) 7-25  
filler cap 4-7  
filter  
    air 9-15, 9-17  
    fuel 9-3, 9-5  
    oil 8-7, 8-19  
fitting, grease 6-7  
fixed face (drive clutch) 11-3  
fixed face (driven clutch) 11-5  
flange, wheel bolt 4-5  
float (carburetor) 9-7, 9-9  
float chamber 9-7, 9-9  
floor mat 1-3  
flywheel 8-5, 8-17  
flywheel puller 13-5  
fork, shift 12-5  
forward/reverse shifter 7-15  
frame, tilt bed 1-15  
f-terminal insulator 7-25  
fuel gauge 7-23  
fuel impulse pump 9-3, 9-5  
fuel line 9-3, 9-5  
fuel strap 9-3, 9-5  
fuel tank 9-3, 9-5  
fuse block 7-17, 7-19  
fuse, 10-amp 7-17, 7-19  
fuse, 20-amp 7-17, 7-19

## G

gasket  
    carburetor insulator 9-11  
    crankcase cover 8-11, 8-23  
    drain plug 8-7, 8-19  
    exhaust 10-3, 10-5  
    float chamber 9-7, 9-9  
    head 8-9, 8-21  
    insulator 9-11  
    liquid 12-3, 13-5  
    oil pump 8-7, 8-19  
    rocker arm case 8-9  
    rocker case 8-21  
    throttle bracket 9-11  
gasket kit 8-9, 8-11, 8-21, 8-23  
gauge, compression 13-3  
gauge, fuel 7-23  
gear  
    12 tooth 12-5

    70 tooth 12-5  
    cluster idler 12-5  
    differential 12-5  
    differential idler 12-5  
    helical (crankshaft) 8-13, 8-25  
    input 12-5  
    output 12-5  
    spur (crankshaft) 8-13, 8-25  
    spur (transaxle) 12-5  
gear case 12-3  
gear case cover 12-5  
gear yoke 13-5  
governor 12-5  
governor cable 9-13  
governor lever arm 12-3  
governor shaft installation tool 13-5  
grease fitting 6-7  
grill (front body) 1-3  
grip, hand 1-13, 1-17  
grip, pencil 6-3  
grommet 9-17  
grommet (flywheel) 8-5, 8-17  
grommet, insulation 9-3, 9-5  
guard, fender 1-19  
guard, unitized transaxle 12-3  
guide  
    oil (transaxle) 12-5  
    steering 6-5  
    valve 8-9, 8-21  
    valve seat cutter 13-7  
guide ring adhesive 13-3

## H

halogen bulb 7-21  
hand grip 1-13  
hand grip, tilt latch 1-11, 1-15  
handle, differential lock 12-9  
handle, forward/reverse switch 7-15  
hanger, brake cable 4-13, 6-9  
hardware, terminal (starter/generator) 7-25  
harness, headlight wire 7-21  
harness, wire 7-5, 7-9, 7-13  
headlight 7-21  
headlight lens 7-21  
hinge plate 1-5  
hinge plate, body 1-5  
hinge, tilt bed 1-11  
hitch, receiver trailer 1-21  
hitch, trailer 1-19  
hold-down, (brake) shoe 4-3, 4-5  
holder, radio/beverage 1-5  
horseshoe clip 4-9, 4-11  
hose, brake 4-9, 4-11  
hose, intake 9-15, 9-17  
hour meter 7-23  
housing

    differential lock 12-7  
    fan 8-3, 8-15  
    field coil (starter/generator) 7-25  
hub 12-7  
hub bearing 6-7  
hub, drive 11-3  
hub, synchronizer clutch 12-5  
hydraulic brake adjuster 13-5  
hydraulic lifter 8-11, 8-23  
hydraulic shoe 4-3, 4-5  
hydrometer 13-5

## I

idle screw 9-7, 9-9  
ignition coil 8-5, 8-17  
insert, synchronizer 12-5  
insert, threaded 1-5  
insert, wood 1-7  
insulation 1-15  
insulation, bulk 1-11  
insulator, carburetor 9-11  
insulator, f-terminal 7-25  
intake hose 9-17  
intake pipe 9-11  
intake valve 8-9, 8-21  
internal retaining ring pliers 13-5  
IQ display module (IQDM) 13-5

## J

jet, main 9-7, 9-9  
jet, pilot 9-7, 9-9  
joint  
    ball 6-5, 7-15  
    inner ball 6-5  
    spring-loaded ball 5-5  
    steering 6-3

## K

key (crankshaft) 8-13, 8-25  
key (dash panel) 7-23  
key (driven clutch) 11-5  
key (flywheel) 8-5, 8-17  
key (transmission) 11-5  
key switch 7-23  
key, woodruff 7-25, 12-3  
kingpin bolt 6-7  
kit  
    accelerator pivot rod 5-5  
    air duct repair 9-15  
    axle adjuster 4-3, 4-5  
    axle hardware 4-3, 4-5  
    brake pedal adjustment tool 13-3  
    dash hardware 1-3  
    diode 7-21  
    drive clutch weight 11-3

# INDEX

driven clutch button 11-5  
fuel tank 9-3, 9-5  
gasket (engine) 8-9, 8-11, 8-21, 8-23  
hydraulic shoe 4-3, 4-5  
IQ display module (IQDM) 13-5  
pulley 4-13  
pulley nut and screw 7-25  
rear receiver 1-21  
reverse buzzer 7-21  
shock absorber cushion 6-9  
tune-up 13-7  
vehicle care 13-7  
knob, light switch 7-23

## L

latch  
tailgate 1-17  
weld 1-15  
wire (air box) 9-15, 9-17  
latch (cargo bed) 1-13  
latch weld (cargo bed) 1-11  
lead wire 8-5, 8-17  
lens, headlight 7-21  
lens, turn signal 7-21  
lever  
adjuster (brake) 4-3, 4-5  
choke 9-15, 9-17  
differential lock 12-7  
park brake 4-5, 4-13  
shifter 12-3  
transmission shifter 12-3  
lifter, hydraulic 8-11, 8-23  
light switch 7-23  
light switch knob 7-23  
light, low oil warning 7-23  
limit switch 7-15, 7-17  
limiter, rpm 8-5, 8-17  
line  
brake 4-9, 4-11  
fuel 9-3, 9-5  
vent 9-3, 9-5, 9-11  
link, rack and pinion drag 6-5  
liquid gasket 13-5  
locking cap 4-5, 12-7  
lubricant, dry moly 13-5  
lubricant, moly-teflon 13-5  
lug nut 2-3, 4-3, 4-5, 6-7  
lug stud 4-3, 6-7, 12-7

## M

main jet 9-7, 9-9  
master cylinder 4-7  
mat, floor 1-3  
meter, hour 7-23  
meter, volt ohm 13-7

module, calibration test 13-3  
module, communication display 13-3  
moly-teflon lubricant 13-5  
mount, compression 6-9  
moveable face (drive clutch) 11-3  
moveable face (driven clutch) 11-5

## N

neutral lockout cam 7-15  
nozzle, main (fe350 engine) 9-7  
nozzle, main (fe400 engine) 9-9  
nut, key switch 7-23  
nut, lug 2-3, 4-3, 4-5, 6-7

## O

oil filler tube 8-3, 8-15  
oil filter 8-7, 8-19  
oil level sensor 8-11, 8-23  
oil pump and rotor 8-7, 8-19  
oil seal 8-13  
oil seal (axle tube) 12-7  
oil seal (crankshaft) 8-11, 8-25  
oil seal (governor pivot) 12-3  
oil seal (shifter shaft) 12-3  
oil seal, input shaft 12-5  
oil warning light 7-23  
o-ring 8-11, 8-23, 12-7  
o-ring (counterbalance shaft) 8-13, 8-25  
o-ring (oil sending connector) 8-11, 8-23  
o-ring (rocker case hardware) 8-9, 8-21  
o-ring, choke valve 9-15  
o-ring, oil filter mount 8-7, 8-19

## P

pad  
accelerator pedal 5-5  
brake pedal 5-3  
spring 6-9  
thermal 7-21  
paint, touch-up 13-7  
panel  
dash 1-3  
front (cargo box) 1-13, 1-17  
seat 1-5  
seat support 1-7  
side (cargo box) 1-13, 1-17  
park brake cable 4-13  
p-clamp 4-9, 4-11  
pedal, accelerator 5-5  
pedal, brake 5-3  
pencil grip 6-3  
pilot air screw 9-7, 9-9  
pilot jet 9-7, 9-9  
pin  
bow tie locking 4-7, 5-3

clevis 4-5, 4-13, 5-3  
differential 12-5  
governor cable clevis 9-13  
hair spring cotter 4-13  
piston 8-13, 8-25  
pinion, steering 6-5  
pipe, intake 9-11  
piston 8-13, 8-25  
piston pin 8-13, 8-25  
piston pin retaining ring 8-13, 8-25  
piston ring compressor 13-5  
piston ring pliers 13-5  
piston ring set 8-13, 8-25  
pivot arm 12-3  
plastic barrel 1-13  
plate 8-9, 8-21  
backing (brake) 4-3, 4-5  
body hinge 1-5  
floor 1-15  
flywheel fan 8-5, 8-17  
hinge 1-5  
mounting 8-27  
oil filter screen 8-11, 8-23  
oil pump 8-7, 8-19  
scorecard 6-3  
suspension mounting 6-7  
thrust 12-5  
tilt bed latch 1-9  
pliers  
internal retaining ring 13-5  
piston ring 13-5  
retaining ring 13-5  
plug  
cap 8-5, 8-17  
drain 8-7, 8-19  
drain (transaxle) 12-3  
drive clutch 11-3  
driven clutch puller 13-3  
spark (ohv) 8-5, 8-17  
pole set (starter/generator) 7-25  
pop rivet 1-5, 4-9, 4-11, 4-13, 9-15, 12-9  
press weldment 13-3  
pressure switch 4-7  
prop rod 1-9  
protector spray, battery terminal 13-3  
puller  
bearing 13-3  
drive clutch 13-3  
drive clutch hub 13-3  
driven clutch cam 13-3  
flywheel 13-5  
seal 13-5  
pulley (starter/generator) 7-25  
pulley nut and screw (starter/generator) 7-25  
pulley, flat mount 4-13

# INDEX

pump cover (oil) 8-7, 8-19  
pump, fuel impulse 9-3, 9-5  
pump, oil and rotor 8-7, 8-19  
push rod 4-7, 8-9, 8-21

## R

rack and pinion drag link 6-5  
rack, steering 6-5  
radio/beverage holder 1-5  
reamer, valve guide 13-7  
regulator, voltage 7-17, 7-19  
remover, bearing and oil seal 13-3  
retainer  
    bearing (starter/generator) 7-25  
    headlight 7-21  
    shock absorber cushion 6-9  
    spiral ring 11-3  
    spring 5-5  
    spring (drive clutch) 11-3  
    valve spring 8-9, 8-21  
retaining ring (drive clutch) 11-3  
retaining ring (driven clutch) 11-5  
retaining ring pliers 13-5  
return spring bumper 5-5  
reverse buzzer 7-21  
ring  
    piston (set) 8-13, 8-25  
    piston pin retaining 8-13, 8-25  
    retaining (drive clutch) 11-3  
    retaining (driven clutch) 11-5  
    snap (steering) 6-5  
    spiral back-up 11-3  
    synchronizer 12-5  
rivet, blind 1-3  
rivet, pop 1-5, 4-9, 4-11, 4-13, 9-15, 12-9  
rocker arm 8-9, 8-21  
rocker case 8-9, 8-21  
rocker shaft 8-9, 8-21  
rod  
    accelerator 5-5  
    accelerator pivot 5-5  
    connecting 8-13, 8-25  
    connecting (crankshaft) 8-13, 8-25  
    equalizer 4-7, 5-3  
    prop 1-9  
    push 4-7, 8-9, 8-21  
    shift 12-5  
rod, clevis 4-7  
rpm limiter 8-5, 8-17  
rubber boot 9-3, 9-5  
rubber bumper 1-9, 5-3

## S

safety first card 13-5  
scorecard clip 6-3

scorecard plate 6-3  
screen, oil filter 8-11, 8-23  
screw  
    idle 9-7, 9-9  
    pilot air 9-7, 9-9  
    pole piece (starter/generator) 7-25  
    rack guide 6-5  
    tuflok 1-3  
    valve clearance adjuster 13-7  
seal  
    bed 1-5, 1-15  
    crankshaft 8-23  
    double lip 6-7  
    dust 6-5  
    input shaft oil 12-5  
    intake 9-17  
    intake (air box) 9-15  
    oil 8-13  
    oil (axle tube) 12-7  
    oil (crankshaft) 8-11, 8-25  
    oil (governor pivot) 12-3  
    oil (shifter shaft) 12-3  
    steering pinion dust 6-5  
    valve 8-9, 8-21  
seal puller 13-5  
seat back 1-7  
seat bottom 1-7  
seat panel 1-5  
seat support 1-5  
seat, bucket 1-5  
seat, spring 8-9, 8-21  
sensor, oil level 8-11, 8-23  
set, pole 7-25  
shackle, rear spring 6-9  
shaft  
    counterbalance guide 8-13, 8-25  
    input 12-5  
    rocker 8-9, 8-21  
    shifter 12-3  
    steering column 6-3  
shield, air duct 9-15  
shield, boot 4-13  
shift fork 12-5  
shift rod 12-5  
shifter shaft 12-3  
shifter, forward/reverse 7-15  
shim  
    crankshaft 8-13, 8-25  
    latch plate 1-9  
    tilt bed pivot 1-15  
shim (camshaft) 8-11, 8-23  
shock absorber cushion 6-9  
shock absorber, rear 6-9  
shock tower 6-7  
shock, coil cover 6-7  
shroud, engine 8-3, 8-15

shroud, fan 8-3, 8-15  
sleeve (governor) 12-5  
sleeve, steel 6-7  
sleeve, synchronizer 12-5  
snap ring (steering) 6-5  
snubber 8-27  
solenoid, 12-volt 7-17, 7-19  
spacer  
    accelerator pedal 5-5  
    differential lock 12-7  
    fixed face shaft 11-3  
    key switch 7-23  
    ratchet support 5-5  
    rear suspension 6-9  
spanner wrench 13-5  
spark plug (ohv) 8-5, 8-17  
spindle 6-7  
spray, battery terminal protector 13-3  
spring  
    brake pedal return 4-7  
    brush 7-25  
    compression 1-13, 1-17, 6-3  
    differential lock 12-7  
    drive button 11-3  
    drive clutch 11-3  
    engine valve 8-9, 8-21  
    forward/reverse cam 7-15  
    latch extension 1-11, 1-15  
    rear four-leaf 6-9  
    return 5-5, 9-17  
    return (air box) 9-15  
    shoe to shoe 4-3, 4-5  
    synchronizer 12-5  
    tapered compression 6-3  
    throttle return 9-11  
    yoke (steering) 6-5  
spring pad 6-9  
spring seat 8-9, 8-21  
starter/generator 7-25, 7-27  
steel ball (transaxle) 12-5  
steel bushing 1-11, 1-15, 6-9  
steel sleeve 6-7  
steering column 6-3  
steering column bearing press tool 13-5  
steering column retaining ring tool 13-5  
steering gear box 6-5  
steering guide 6-5  
steering pinion 6-5  
steering rack 6-5  
steering stop 6-7  
steering wheel 6-3  
steering wheel puller tool 13-7  
stem, valve 2-3  
stiffener, flywheel side 8-27  
stiffener, pto side 8-27  
stiffener, seat 1-7

# INDEX

stop, axle 6-9, 12-7  
stop, steering 6-7  
strap, seat bottom 1-7  
stud  
    ball 5-5, 7-15, 7-17, 7-19, 12-3  
    flush head 1-13, 1-17  
    lug 4-3, 6-7, 12-7  
support  
    accelerator pivot rod 5-5  
    latch plate 1-9  
    lower fender 1-3  
    seat 1-5  
    upper front body 1-3  
suspension mounting plate 6-7  
switch  
    key 7-23  
    light 7-23  
    limit 7-15, 7-17  
    pressure 4-7  
synchronizer clutch hub 12-5  
synchronizer ring 12-5  
system, exhaust (fe350 engine) 10-3  
system, exhaust (fe400 engine) 10-5

## T

10-amp fuse 7-17, 7-19  
12-volt battery 7-29  
12-volt solenoid 7-17, 7-19  
20-amp fuse 7-17, 7-19  
tachometer 13-7  
tailgate 1-13, 1-17  
tailgate angle 1-17  
tailskirt 1-19, 1-21  
tape, VHB (air duct shield) 9-15  
tape, VHB (console cover) 1-5  
terminal block 7-21  
terminal hardware (starter/generator) 7-25  
tester, continuity 13-5  
thermal pad 7-21  
thermometer, battery 13-3  
thrust bearing 6-7  
thrust plate 12-5  
tie, wire 6-5, 7-21, 7-23  
tilt bed 1-15  
tilt bed hinge 1-15  
tilt bed, manual lift 1-11  
tire 2-3  
tool  
    accelerator pedal adjustment 13-3  
    brake adjustment 13-3  
    brake pedal adjustment 13-3  
    brake pedal tension 13-3  
    cam installation 13-3  
    clutch alignment 13-3  
    drive clutch holder 13-3  
    governor shaft installation 13-5

steering column bearing press 13-5  
steering column retaining ring 13-5  
steering wheel puller 13-7  
transaxle axle seal 13-7  
transaxle pinion seal 13-7  
transmission 13-7  
tool kit, clutch 13-3  
top, air box 9-15, 9-17  
touch-up paint 13-7  
tower, shock 6-7  
track, prop rod 1-9  
trailer hitch 1-19  
trailer hitch, receiver 1-21  
transaxle axle seal tool 13-7  
transaxle pinion seal tool 13-7  
transaxle, unitized 12-3  
transmission cable 7-15  
transmission shifter lever 12-3  
transmission tool 13-7  
trim, seat bottom 1-7  
tube  
    7 mm (flywheel) 8-5, 8-17  
    axle 12-7  
    crankcase vent 9-11  
    oil filler 8-3, 8-15  
tune-up kit 13-7  
turn signal lens 7-21

## U

u-bolt 6-9  
unitized transaxle 12-3  
urethane bushing 1-11, 1-15, 6-7, 6-9

## V

valve 8-9, 8-21  
    choke 9-15, 9-17  
    exhaust 8-9, 8-21  
    fuel pickup tube 9-3, 9-5  
    intake 8-9, 8-21  
    stem 2-3  
valve clearance adjuster screw 13-7  
valve guide 8-9, 8-21  
valve guide reamer 13-7  
valve seal 8-9, 8-21  
valve seat cutter 13-7  
valve seat cutter guide 13-7  
valve seat t-wrench 13-7  
valve spring compressor 13-7  
vehicle care kit 13-7  
vent line 9-11  
vent, fuel tank 9-3, 9-5  
volt ohm meter 13-7  
voltage regulator 7-17, 7-19

## W

warning light, oil 7-23  
washer  
    copper (brake) 4-3, 4-9, 4-11  
    delrin flat 7-15, 7-17, 7-19  
    kingpin wave 6-7  
    mounting 11-3, 11-5  
    nylon flat 7-15  
    spring 12-5  
    thrust 12-5  
    wave 7-15  
wedge (steering column) 6-3  
wedge, bearing puller 13-3  
weight, counterbalance 8-13, 8-25  
weight, drive clutch 11-3  
weldment, forward/reverse bell crank 7-15  
weldment, press 13-3  
wheel 2-3  
wheel bolt flange 4-5  
wheel cylinder 4-3, 4-5  
wheel, steering 6-3  
wire harness 7-5, 7-9, 7-13  
wire latch 9-15, 9-17  
wire tie 6-5, 7-21, 7-23  
wire, lead 8-5, 8-17  
woodruff key 7-25, 12-3  
wrench, spanner 13-5

## Y

yoke spring (steering) 6-5  
yoke, gear 13-5

## Your Comments Are Appreciated

Please select your category:

- |  |   |
|--|---|
| <input type="checkbox"/> Distributor/Dealer                | <input type="checkbox"/> Technician                 |
| <input type="checkbox"/> Individual Owner                  | <input type="checkbox"/> Golf Course Superintendent |
| <input type="checkbox"/> Club Car Associate/Representative | <input type="checkbox"/> Other: _____               |

In order to help us better serve you, please rate this publication in the following categories:

	Poor	Fair	Average	Good	Excellent
1. Ease of Understanding	<input type="checkbox"/>	<input type="checkbox"/>	<input type="checkbox"/>	<input type="checkbox"/>	<input type="checkbox"/>
2. Ease of Finding Information	<input type="checkbox"/>	<input type="checkbox"/>	<input type="checkbox"/>	<input type="checkbox"/>	<input type="checkbox"/>
3. Clarity of Illustrations	<input type="checkbox"/>	<input type="checkbox"/>	<input type="checkbox"/>	<input type="checkbox"/>	<input type="checkbox"/>
4. Index Usability	<input type="checkbox"/>	<input type="checkbox"/>	<input type="checkbox"/>	<input type="checkbox"/>	<input type="checkbox"/>

Comments/Suggestions

---

---

---

---

---

---

---

---

---

---

---

---

---

---

---

---

---

---

---

---

---

---

---

---

Please fax a copy of this page to (706) 228-2662.

*Thank You!*  
Club Car Technical Publication Department













**Transportation and Utility Vehicles**

Club Car Inc.

P.O. Box 204658

Augusta, GA 30917-4658